



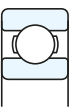
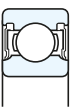
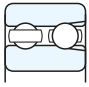
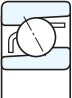
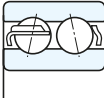
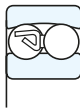
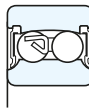
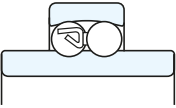
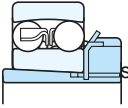
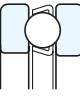

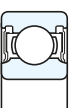
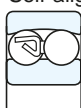


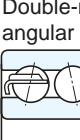
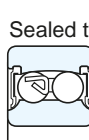



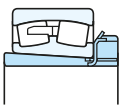

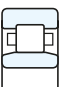
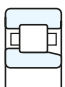
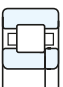
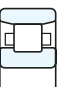
Bearings catalog 2023





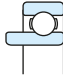
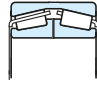
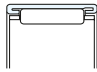
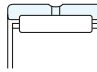
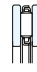
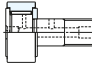
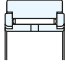
F.C.M. Cuscinetti s.r.l.
Via Privata Turro, n.6 20127, Milano (Mi) – Italy
Phone +39 0226 10834 - e-mail: info@cuscinetti.it
www.cuscinetti.it

CONTENTS

Page

Technical section	Information, Lubrication	Page
Deep groove ball bearings	<div style="display: flex; justify-content: space-around;"> <div style="text-align: center;">  <p>Open type (68, 69, 160, 60, 62, 63, 64, 622, 623, 630)</p> </div> <div style="text-align: center;">  <p>Shielded/sealed type (Z, RS)</p> </div> </div> <div style="display: flex; justify-content: space-around; margin-top: 10px;"> <div style="text-align: center;">  <p>Double-row (42, 43)</p> </div> <div style="text-align: center;"> <p>Miniature (600, MR) & flanged type (F600, MF)</p> </div> </div>	004 - 005 006 - 020
Angular contact ball bearings	<div style="display: flex; justify-content: space-around;"> <div style="text-align: center;">  <p>Single-row (72, 73)</p> </div> <div style="text-align: center;">  <p>Double-row (32, 33, 32...2RS, 33...2RS)</p> </div> </div>	028 - 032
Self-aligning ball bearings	<div style="display: flex; justify-content: space-around;"> <div style="text-align: center;">  <p>Open type (12, 22 13, 23)</p> </div> <div style="text-align: center;">  <p>Sealed type (22...2RS 23...2RS)</p> </div> </div> <div style="display: flex; justify-content: space-around; margin-top: 10px;"> <div style="text-align: center;">  <p>Extended inner ring type (112)</p> </div> <div style="text-align: center;">  </div> </div>	033 - 040
Thrust ball bearings	<div style="display: flex; justify-content: space-around;"> <div style="text-align: center;">  <p>Single direction (F2, BA5, 511, 512, 513 514, 532, 533, 534 532U, 533U, 534U)</p> </div> <div style="text-align: center;">  <p>Double direction (522, 523, 524 542, 543, 544 542U, 543U, 544U)</p> </div> </div>	041 - 058
Stainless steel bearing	<div style="display: flex; justify-content: space-around;"> <div style="text-align: center;">  <p>(68, 69, 160 60, 62, 63)</p> </div> <div style="text-align: center;">  <p>Self-aligning (12, 22 23)</p> </div> <div style="border: 1px solid black; padding: 5px; display: flex; flex-direction: column; align-items: center;">  <p>(600, MR F600, MF)</p>  <p>(511, 512 F2, BA5)</p> </div> </div> <div style="display: flex; justify-content: space-around; margin-top: 10px;"> <div style="text-align: center;">  <p>Double-row angular contact (32, 33, 32...2RS 33...2RS)</p> </div> <div style="text-align: center;">  <p>Sealed type (22...2RS 23...2RS)</p> </div> <div style="text-align: center;">  <p>Thrust ball (511, 512 F2, BA5)</p> </div> </div>	021 - 027 042 059 - 069
Spherical roller bearings	<div style="display: flex; justify-content: space-around;"> <div style="text-align: center;">  <p>CA</p> </div> <div style="text-align: center;">  <p>CC, E</p> </div> </div> <p style="text-align: center;">(239, 230, 240, 231, 241 222, 232, 213, 223)</p> <div style="display: flex; justify-content: space-around;"> <div style="text-align: center;"> <p>Adapter assemblies</p>  </div> <div style="text-align: center;"> <p>Withdrawal sleeves</p>  </div> </div>	070 - 082
Cylindrical roller bearings	<div style="display: flex; justify-content: space-around;"> <div style="text-align: center;">  <p>NU</p> </div> <div style="text-align: center;">  <p>NJ</p> </div> <div style="text-align: center;">  <p>NUP</p> </div> <div style="text-align: center;">  <p>N</p> </div> </div> <p style="margin-left: 100px;">Single-row (NU10, NU2, NU22, NU32 NU3, NU23, NU33, NU4)</p>	083 - 096

CONTENTS

		Page		
Tapered roller bearings		Metric series Inch series (329, 320, 330, 331, 302, 322) (332, 303, 313, 323, ISO)	097 - 131	
Spherical thrust roller bearings		Spherical thrust roller (292, 293, 294)	132 - 135	
Special bearings	 ZV / ZZV	 JRM 0000 / 0000 XD	136 - 137	
Needle roller bearings	Drawn cup type 	Machined ring type 	Thrust 	138 - 154
	Stud type track rollers 	Yoke type track rollers 		

TECHNICAL INFORMATION OF BEARINGS

CHINA	FRANCE	GERMANY		JAPAN	SWEDEN	BRITISH	UNITED STATES	
GB	NF	DIN	W-Nr.	JIS	SKF	BS	AISI	UNS
GCr6	100C2	105Cr2	1.3501		SKF9		E50100	G50986
GCr9	100C5	105Cr4	1.3503	SUJ1	SKF13		E51100	G51986
GCr9SiMn				SUJ3	SKF1			
GCr15	100C6	100Cr6	1.3505	SUJ2	SKF3	534A99	E52100	G52986
GCr15SiMn		100CrMn6	1.3502		SKF2			
10	C10	C10	1.0301	S10C		040A10	1010	G10100
15	C12	C15	1.0401	S15C		040A15	1015	G10150
20	C20	C22	1.0402	S20C		050A20	1020	G10200
20Cr	18C3	17Cr3	1.7016	SGr420		527A20	5120	G51200
20Mn	20M5	21Mn4	1.0469			080A20	1022	G10220
35	C35	C35	1.0501	S35C		060A35	1035	G10350
40Mn	40M5	40Mn4	1.1157			080A40	1039	G10390
45	C45	C45	1.0503	S45C		060A47	1045	G10450
1CR18Ni9	Z10CN18.09	X12CrNi18 8	1.4300	SUS302		302S25	302	S30200
0Cr18Ni9	Z6CN18.09	X5CrNi18 10	1.4301	SUS304		304S15	304	S30400
9Cr18	Z100CD17	X105CrMo17	1.4125	SUS440C			440C	S44004

GB 307	G	E	D	C	All bearings
ISO 492	normal class	class 6	class 5	class 4	Radial bearings
ISO 199	normal class	class 6	class 5	class 4	Thrust bearings
ISO 578	class 4		class 3	class 0	Taper roller bearings, inch
DIN 620	P0	P6	P5	P4	All bearings
AFBMA Std.20	ABEC 1	ABEC 3	ABEC 5	ABEC 7	Radial bearings
AFBMA Std.19.1	class k	class N	class C	class B	Taper roller bearings
AFBMA Std.19	class 4	class 2	class 3	class 0	Taper roller bearings, inch
JIS B 1514	0	6	5	4	All bearings

Nominal Bore d(mm)	over to	2.5	6	10	18	24	30	40	50	65	80	100	120	140	160
		6	10	18	24	30	40	50	65	80	100	120	140	160	180
C2	min	0	0	0	0	1	1	1	1	1	1	2	2	2	2
	max	7	7	9	10	11	11	11	15	15	18	20	23	23	25
C0	min	2	2	3	5	5	6	6	8	10	12	15	18	18	20
	max	13	13	18	20	20	20	23	28	30	36	41	48	53	61
C3	min	8	8	11	13	13	15	18	23	25	30	36	41	46	53
	max	23	23	25	28	28	33	36	43	51	58	66	81	91	102
C4	min		14	18	20	23	28	30	38	46	53	61	71	81	91
	max		29	33	36	41	46	51	61	71	84	97	114	130	147

GREASE

Company Brand	Specification	Dropping Temp.	Penetration at 25 C	Working Temp. C	Remarks
China Hangu	Hangu 2#	198	265~295	-10~130	Low noise
China Jingzhi	HTHS	300	280	-40~200	Low & High Temp.
Chevron	SRI-2	240	255~280	-30~120	Water resistant
	Alvania R2	185	265~295	-35~120	
	Alvania R3	185	220~250	-35~135	
	Alvania R A	180	250~275	-25~100	General purpose
Shell	Alvania EP1	180	310~340	-25~110	
	Alvania EP2	185	265~295	-25~110	
	Darina 2	250	265~295	-25~150	
	Darina EP2	250	265~295	-25~150	High Temp.
	Dolium R 2	250	265~295	-35~150	Corrosion resistant
	Isoflex LDS 18	190	255~280	-50~110	Low Temp.
Klüber	Isoflex NBU 15	250	255~280	-30~120	General purpose
	Multemp SRL	185	225~245	-40~145	Low torque
Kyodo Yushi	Multemp PS2	190	250~275	-50~110	Low Temp.
	Multemp SC-2	260	255~280	0~160	
	Multemp ET150	260	255~280	-10~160	High Temp.
	Andok C	260	190~210	-30~120	General purpose
Esso	Andok 260	190	204~260	-40~120	
	Beacon 325	190	255~280	-54~120	Low Temp.
	Mobilux 2	190	265~290	-10~110	General purpose
Mobil	Mobil 22	192	250~274	-40~120	
	Mobil 28	260	265~295	-55~175	Wide range Temp.
	Mobil 48	260	240~270	-60~170	High Temp.
	Mobil FM 221	260	325	-20~120	Low Temp.
	Mobil FM 222	260	280	-20~120	Low Temp.

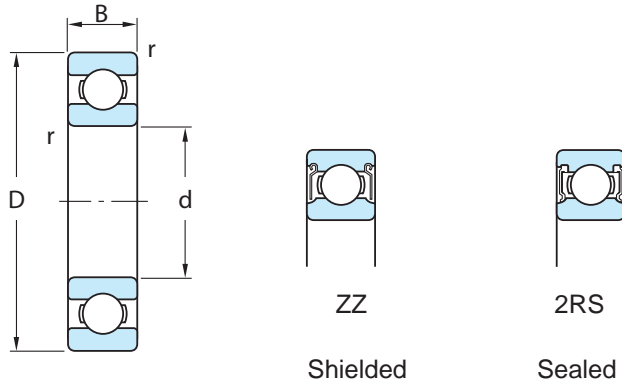
Attention: Dimensions of inner construction might vary depending on producing factory.



Deep groove ball bearings

Single-row deep groove ball bearings

d 10 ~ 20 mm



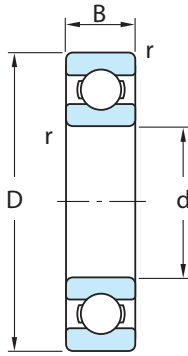
Boundary dimensions (mm)				Bearing No.			(kg)
d	D	B	r min.				
10	15	3	0.1	6700	6700 ZZ	6700 2RS	0.0015
	19	5	0.3	6800	6800 ZZ	6800 2RS	0.005
	22	6	0.3	6900	6900 ZZ	6900 2RS	0.010
	26	8	0.3	6000	6000 ZZ	6000 2RS	0.019
	30	9	0.6	6200	6200 ZZ	6200 2RS	0.032
	35	11	0.6	6300	6300 ZZ	6300 2RS	0.053
12	18	4	0.2	6701	6701 ZZ	6701 2RS	0.003
	21	5	0.3	6801	6801 ZZ	6801 2RS	0.006
	24	6	0.3	6901	6901 ZZ	6901 2RS	0.011
	28	7	0.3	16001	-	-	0.024
	28	8	0.3	6001	6001 ZZ	6001 2RS	0.022
	32	10	0.6	6201	6201 ZZ	6201 2RS	0.037
	37	12	1	6301	6301 ZZ	6301 2RS	0.060
15	21	4	0.2	6702	6702 ZZ	6702 2RS	0.004
	24	5	0.3	6802	6802 ZZ	6802 2RS	0.007
	28	7	0.3	6902	6902 ZZ	6902 2RS	0.017
	32	8	0.3	16002	16002 ZZ	16002 2RS	0.025
	32	9	0.3	6002	6002 ZZ	6002 2RS	0.030
	35	11	0.6	6202	6202 ZZ	6202 2RS	0.045
	42	13	1	6302	6302 ZZ	6302 2RS	0.082
17	23	4	0.2	6703	6703 ZZ	6703 2RS	0.005
	26	5	0.3	6803	6803 ZZ	6803 2RS	0.008
	30	7	0.3	6903	6903 ZZ	6903 2RS	0.018
	35	8	0.3	16003	16003 ZZ	16003 2RS	0.032
	35	10	0.3	6003	6003 ZZ	6003 2RS	0.039
	40	12	0.6	6203	6203 ZZ	6203 2RS	0.065
	47	14	1	6303	6303 ZZ	6303 2RS	0.115
	62	17	1.1	6403	-	-	0.270
20	27	4	0.2	6704	6704 ZZ	6704 2RS	0.006
	32	7	0.3	6804	6804 ZZ	6804 2RS	0.018
	37	9	0.3	6904	6904 ZZ	6904 2RS	0.036
	42	8	0.3	16004	16004 ZZ	16004 2RS	0.050

d 20 ~ 30 mm

Boundary dimensions (mm)				Bearing No.			(kg)
d	D	B	r min.				
20	42	12	0.6	6004	6004 ZZ	6004 2RS	0.069
	47	14	1	6204	6204 ZZ	6204 2RS	0.106
	52	15	1.1	6304	6304 ZZ	6304 2RS	0.144
	72	19	1.1	6404	-	-	0.400
22	44	12	0.6	60/22	60/22 ZZ	60/22 2RS	0.073
	50	14	1	62/22	62/22 ZZ	62/22 2RS	0.118
	56	16	1.1	63/22	63/22 ZZ	63/22 2RS	0.201
25	32	4	0.2	6705	6705 ZZ	6705 2RS	0.006
	37	7	0.3	6805	6805 ZZ	6805 2RS	0.022
	42	9	0.3	6905	6905 ZZ	6905 2RS	0.041
	47	8	0.3	16005	16005 ZZ	16005 2RS	0.060
	47	12	0.6	6005	6005 ZZ	6005 2RS	0.080
	52	15	1	6205	6205 ZZ	6205 2RS	0.128
	62	17	1.1	6305	6305 ZZ	6305 2RS	0.232
	80	21	1.5	6405	-	-	0.530
28	52	12	0.6	60/28	60/28 ZZ	60/28 2RS	0.097
	58	16	1	62/28	62/28 ZZ	62/28 2RS	0.173
	68	18	1.1	63/28	63/28 ZZ	63/28 2RS	0.328
30	37	4	0.2	6706	6706 ZZ	6706 2RS	0.008
	42	7	0.3	6806	6806 ZZ	6806 2RS	0.026
	47	9	0.3	6906	6906 ZZ	6906 2RS	0.045
	55	9	0.3	16006	16006 ZZ	16006 2RS	0.085
	55	13	1	6006	6006 ZZ	6006 2RS	0.116
	62	16	1	6206	6206 ZZ	6206 2RS	0.199

Single-row deep groove ball bearings

d 30 ~ 45 mm



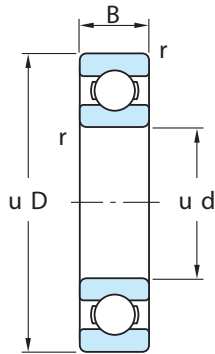
Boundary dimensions (mm)				Bearing No.				(kg)
d	D	B	r min.					
30	72	19	1.1	6306	6306 ZZ	6306 2RS	0.346	
	90	23	1.5	6406	-	-	0.735	
32	58	13	1	60/32	60/32 ZZ	60/32 2RS	0.127	
	65	17	1	62/32	62/32 ZZ	62/32 2RS	0.228	
	75	20	1.1	63/32	63/32 ZZ	63/32 2RS	0.437	
35	44	5	0.3	6707	6707 ZZ	6707 2RS	0.015	
	47	7	0.3	6807	6807 ZZ	6807 2RS	0.030	
	55	10	0.6	6907	6907 ZZ	6907 2RS	0.073	
	62	9	0.3	16007	16007 ZZ	16007 2RS	0.110	
	62	14	1	6007	6007 ZZ	6007 2RS	0.155	
	72	17	1.1	6207	6207 ZZ	6207 2RS	0.288	
	80	21	1.5	6307	6307 ZZ	6307 2RS	0.457	
	100	25	1.5	6407	-	-	0.952	
40	50	6	0.3	6708	6708 ZZ	6708 2RS	0.022	
	52	7	0.3	6808	6808 ZZ	6808 2RS	0.033	
	62	12	0.6	6908	6908 ZZ	6908 2RS	0.112	
	68	9	0.3	16008	16008 ZZ	16008 2RS	0.125	
	68	15	1	6008	6008 ZZ	6008 2RS	0.192	
	80	18	1.1	6208	6208 ZZ	6208 2RS	0.366	
	90	23	1.5	6308	6308 ZZ	6308 2RS	0.633	
	110	27	2	6408	-	-	1.23	
45	55	6	0.3	6709	6709 ZZ	6709 2RS	0.027	
	58	7	0.3	6809	6809 ZZ	6809 2RS	0.040	
	68	12	0.6	6909	6909 ZZ	6909 2RS	0.132	
	75	10	0.6	16009	16009 ZZ	16009 2RS	0.170	
	75	16	1	6009	6009 ZZ	6009 2RS	0.245	
	85	19	1.1	6209	6209 ZZ	6209 2RS	0.407	
	100	25	1.5	6309	6309 ZZ	6309 2RS	0.833	
	120	29	2	6409	-	-	1.53	

d 45 ~ 65 mm

Boundary dimensions (mm)				Bearing No.			(kg)
d	D	B	r min.				
50	62	6	0.3	6710	6710 ZZ	6710 2RS	0.042
	65	7	0.3	6810	6810 ZZ	6810 2RS	0.052
	72	12	0.6	6910	6910 ZZ	6910 2RS	0.133
	80	10	0.6	16010	16010 ZZ	16010 2RS	0.180
	80	16	1	6010	6010 ZZ	6010 2RS	0.261
	90	20	1.1	6210	6210 ZZ	6210 2RS	0.463
	110	27	2	6310	6310 ZZ	6310 2RS	1.07
	130	31	2.1	6410	-	-	1.88
55	72	9	0.3	6811	6811 ZZ	6811 2RS	0.083
	80	13	1	6911	6911 ZZ	6911 2RS	0.185
	90	11	0.6	16011	-	-	0.260
	90	18	1.1	6011	6011 ZZ	6011 2RS	0.385
	100	21	1.5	6211	6211 ZZ	6211 2RS	0.607
	120	29	2	6311	6311 ZZ	6311 2RS	1.37
	140	33	2.1	6411	-	-	2.29
60	78	10	0.3	6812	6812 ZZ	6812 2RS	0.104
	85	13	1	6912	6912 ZZ	6912 2RS	0.192
	95	11	0.6	16012	-	-	0.280
	95	18	1.1	6012	6012 ZZ	6012 2RS	0.415
	110	22	1.5	6212	6212 ZZ	6212 2RS	0.783
	130	31	2.1	6312	6312 ZZ	6312 2RS	1.70
	150	35	2.1	6412	-	-	2.77
65	85	10	0.6	6813	6813 ZZ	6813 2RS	0.126
	90	13	1	6913	6913 ZZ	6913 2RS	0.211
	100	11	0.6	16013	-	-	0.300
	100	18	1.1	6013	6013 ZZ	6013 2RS	0.435

Single-row deep groove ball bearings

d 65 ~ 85 mm



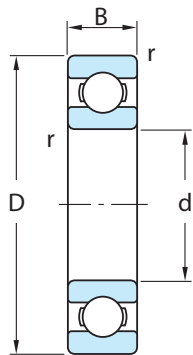
Boundary dimensions (mm)				Bearing No.			(kg)
d	D	B	r min.				
65	120	23	1.5	6213	6213 ZZ	6213 2RS	0.990
	140	33	2.1	6313	6313 ZZ	6313 2RS	2.08
	160	37	2.1	6413	-	-	3.30
70	90	10	0.6	6814	6814 ZZ	6814 2RS	0.134
	100	16	1	6914	6914 ZZ	6914 2RS	0.342
	110	13	0.6	16014	-	-	0.433
	110	20	1.1	6014	6014 ZZ	6014 2RS	0.602
	125	24	1.5	6214	6214 ZZ	6214 2RS	1.07
	150	35	2.1	6314	6314 ZZ	6314 2RS	2.52
	180	42	3	6414	-	-	4.83
75	95	10	0.6	6815	6815 ZZ	6815 2RS	0.142
	105	16	1	6915	6915 ZZ	6915 2RS	0.363
	115	13	0.6	16015	-	-	0.457
	115	20	1.	6015	6015 ZZ	6015 2RS	0.638
	130	25	1.5	6215	6215 ZZ	6215 2RS	1.18
	160	37	2.1	6315	6315 ZZ	6315 2RS	3.02
	190	45	3	6415	-	-	5.87
80	100	10	0.6	6816	6816 ZZ	6816 2RS	0.150
	110	16	1	6916	6916 ZZ	6916 2RS	0.382
	125	14	0.6	16016	-	-	0.597
	125	22	1.1	6016	6016 ZZ	6016 2RS	0.850
	140	26	2	6216	6216 ZZ	6216 2RS	1.40
	170	39	2.1	6316	6316 ZZ	6316 2RS	3.59
	200	48	3	6416	-	-	6.84
85	110	13	1	6817	6817 ZZ	6817 2RS	0.266
	120	18	1.1	6917	6917 ZZ	6917 2RS	0.535
	130	14	0.6	16017	-	-	0.626

d 85 ~ 105 mm

Boundary dimensions (mm)				Bearing No.			(kg)
d	D	B	r min.				
85	130	22	1.1	6017	6017 ZZ	6017 2RS	0.890
	150	28	2	6217	6217 ZZ	6217 2RS	1.79
	180	41	3	6317	6317 ZZ	6317 2RS	4.23
	210	52	4	6417	-	-	8.07
90	115	13	1	6818	6818 ZZ	6818 2RS	0.279
	125	18	1.1	6918	6918 ZZ	6918 2RS	0.565
	140	16	1	16018	-	-	0.848
	140	24	1.5	6018	6018 ZZ	6018 2RS	1.16
	160	30	2	6218	6218 ZZ	6218 2RS	2.15
	190	43	3	6318	6318 ZZ	6318 2RS	4.91
	225	54	4	6418	-	-	9.78
95	130	18	1.1	6919	6919 ZZ	6919 2RS	0.705
	145	16	1	16019	-	-	0.885
	145	24	1.5	6019	6019 ZZ	6019 2RS	1.21
	170	32	2.1	6219	6219 ZZ	6219 2RS	2.62
	200	45	3	6319	6319 ZZ	6319 2RS	5.67
100	125	13	1	6820	6820 ZZ	6820 2RS	0.309
	140	20	1.1	6920	6920 ZZ	6920 2RS	0.960
	150	16	1	16020	-	-	0.910
	150	24	1.5	6020	6020 ZZ	6020 2RS	1.25
	180	34	2.1	6220	6220 ZZ	6220 2RS	3.14
	215	47	3	6320	6320 ZZ	6320 2RS	7.00
105	145	20	1.1	6921	6921 ZZ	6921 2RS	1.00
	160	18	1	16021	-	-	1.20
	160	26	2	6021	6021 ZZ	6021 2RS	1.59
	190	36	2.1	6221	6221 ZZ	6221 2RS	3.70
	225	49	3	6321	6321 ZZ	6321 2RS	8.05

Single-row deep groove ball bearings

d 110 ~ 150 mm



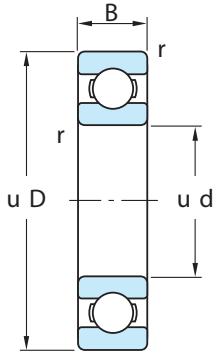
Boundary dimensions (mm)				Bearing No.			(kg)
d	D	B	r min.				
110	140	16	1	6822	6822 ZZ	6822 2RS	0.606
	150	20	1.1	6922	6922 ZZ	6922 2RS	1.04
	170	19	1	16022	-	-	1.46
	170	28	2	6022	6022 ZZ	6022 2RS	1.96
	200	38	2.1	6222	6222 ZZ	6222 2RS	4.36
	240	50	3	6322	6322 ZZ	6322 2RS	9.54
	120	150	16	1	6824	6824 ZZ	6824 2RS
165		22	1.1	6924	6924 ZZ	6924 2RS	1.41
180		19	1	16024	-	-	1.80
180		28	2	6024	6024 ZZ	6024 2RS	2.07
215		40	2.1	6224	6224 ZZ	6224 2RS	5.15
260		55	3	6324	6324 ZZ	6324 2RS	12.5
130		165	18	1.1	6826	6826 ZZ	6826 2RS
	180	24	1.5	6926	6926 ZZ	6926 2RS	1.86
	200	22	1.1	16026	-	-	2.69
	200	33	2	6026	6026 ZZ	6026 2RS	3.16
	230	40	3	6226	6226 ZZ	6226 2RS	5.82
	280	58	4	6326	6326 ZZ	6326 2RS	15.1
	140	175	18	1.1	6828	6828 ZZ	6828 2RS
190		24	1.5	6928	6928 ZZ	6928 2RS	1.98
210		22	1.1	16028	-	-	2.86
210		33	2	6028	6028 ZZ	6028 2RS	3.55
250		42	3	6228	6228 ZZ	6228 2RS	7.45
300		62	4	6328	6328 ZZ	6328 2RS	19.4
150		190	20	1.1	6830	6830 ZZ	6830 2RS
	210	28	2	6930	6930 ZZ	6930 2RS	3.05
	225	24	1.1	16030	-	-	3.58
	225	35	2.1	6030	6030 ZZ	6030 2RS	4.22

d 150 ~ 200 mm

Boundary dimensions (mm)				Bearing No. (kg)			
d	D	B	r min.				
150	270	45	3	6230	6230 ZZ	6230 2RS	9.41
	320	65	4	6330	6330 ZZ	6330 2RS	26.2
160	200	20	1.1	6832	6832 ZZ	6832 2RS	1.45
	220	28	2	6932	6932 ZZ	6932 2RS	3.20
	240	25	1.5	16032	-	-	4.25
	240	38	2.1	6032	6032 ZZ	6032 2RS	5.22
	290	48	3	6232	6232 ZZ	6232	14.3
	340	68	4	6332	6332 ZZ	6332	29.0
170	215	22	1.1	6834	6834 ZZ	6834	1.90
	230	28	2	6934	6934 ZZ	6934	3.35
	260	28	1.5	16034	-	-	5.75
	260	42	2.1	6034	6034 ZZ	6034	6.80
	310	52	4	6234	6234 ZZ	6234	17.5
	360	72	4	6334	6334 ZZ	6334	38.6
180	225	22	1.1	6836	6836 ZZ	6836	2.00
	250	33	2	6936	6936 ZZ	6936	4.90
	280	31	2	16036	-	-	7.55
	280	46	2.1	6036	6036 ZZ	6036	10.3
	320	52	4	6236	6236 ZZ	6236	18.3
	380	75	4	6336	6336 ZZ	6336	44.7
190	240	24	1.5	6838	6838 ZZ	6838	2.60
	260	33	2	6938	6938 ZZ	6938	5.20
	290	31	2	16038	-	-	7.85
	290	46	2.1	6038	6038 ZZ	6038	10.8
	340	55	4	6238	6238 ZZ	6238	23.0
	400	78	5	6338	6338 ZZ	6338	51.5
200	250	24	1.5	6840	6840 ZZ	6840	2.70

Single-row deep groove ball bearings

d 200 ~ 280 mm



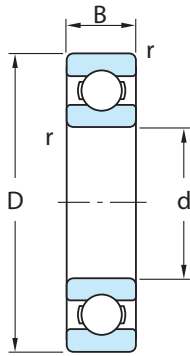
Boundary dimensions (mm)				Bearing No.	(kg)
d	D	B	r min.		
200	280	38	2.1	6940	7.30
	310	34	2	16040	10.1
	310	51	2.1	6040	14.0
	360	58	4	6240	28.2
	420	80	5	6340	58.0
220	270	24	1.5	6844	3.00
	300	38	2.1	6944	7.90
	340	37	2.1	16044	13.2
	340	56	3	6044	18.3
	400	65	4	6244	37.0
	460	88	5	6344	71.6
240	300	28	2	6848	4.50
	320	38	2.1	6948	8.50
	360	37	2.1	16048	14.1
	360	56	3	6048	19.7
	440	72	4	6248	51.0
	500	95	5	6348	93.3
260	320	28	2	6852	4.80
	360	46	2.1	6952	14.4
	400	44	3	16052	21.6
	400	65	4	6052	29.3
	480	80	5	6252	68.2
	540	102	6	6352	116
280	350	33	2	6856	7.40
	380	46	2.1	6956	15.1
	420	44	3	16056	22.9
	420	65	4	6056	31.0
	500	80	5	6256	71.8

d 280 ~ 380 mm

Boundary dimensions (mm)				Bearing No.	(kg)
d	D	B	r min.		
280	580	108	6	6356	145
300	380	38	2.1	6860	10.5
	420	56	3	6960	24.1
	460	50	4	16060	32.2
	460	74	4	6060	44.0
	540	85	5	6260	89.5
	620	109	7.5	6360	169
320	400	38	2.1	6864	11.0
	440	56	3	6964	25.5
	480	50	4	16064	33.9
	480	74	4	6064	46.0
	580	92	5	6264	113
	670	112	7.5	6364	207
340	420	38	2.1	6868	11.5
	460	56	3	6968	26.8
	520	57	4	16068	46.8
	520	82	5	6068	61.8
	620	92	6	6268	131
	710	118	7.5	6368	238
360	440	38	2.1	6872	12.0
	480	56	3	6972	28.2
	540	57	4	16072	49.0
	540	82	5	6072	64.7
	650	95	6	6272	144
380	480	46	2.1	6876	20.0
	520	65	4	6976	40.8
	560	82	5	6076	67.6

Single-row deep groove ball bearings

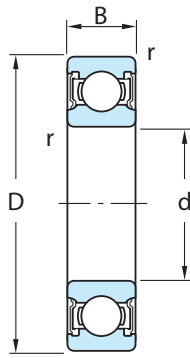
d 380 ~ 500 mm



Boundary dimensions (mm)				Bearing No.	
d	D	B	r min.		(kg)
380	680	95	6	6276	162
400	500	46	2.1	6880	20.5
	540	65	4	6980	42.7
	600	63	5	16080	65.0
	600	90	5	6080	87.7
	720	103	6	6280	197
420	520	46	2.1	6884	21.5
	560	65	4	6984	43.5
	620	63	5	16084	69.9
	620	90	5	6084	91.2
440	540	46	2.1	6888	22.5
	600	74	4	6988	61.3
	650	67	5	16088	81.7
460	580	56	3	6892	35.0
	620	74	4	6992	61.7
	680	71	5	16092	91.2
480	600	56	3	6896	36.5
	650	78	5	6996	72.5
	700	71	5	16096	98.5
500	620	56	3	68/500	37.5
	670	78	5	69/500	75.2
	720	71	5	160/500	102
	720	100	6	60/500	128

Single-row deep groove ball bearings

d 10 ~ 45 mm



2RS

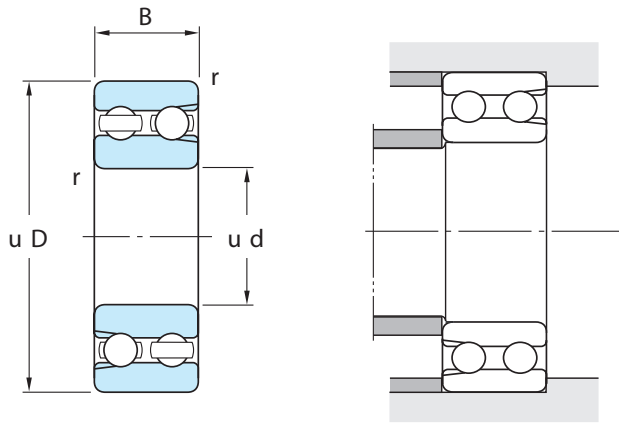
Boundary dimensions (mm)				Bearing No.	(kg)
d	D	B	r min.		
10	26	12	1,2	63000-2RS1	0,025
10	30	14	1,2	62200-2RS1	0,040
10	35	17	1,2	62300-2RS1	0,060
12	28	12	1,2	63001-2RS1	0,029
12	32	14	1,2	62201-2RS1	0,045
12	37	17	1,2	62301-2RS1	0,070
15	32	13	1,2	63002-2RS1	0,039
15	35	14	1,2	62202-2RS1	0,054
15	42	17	1,2	62302-2RS1	0,110
17	35	14	1,2	63003-2RS1	0,052
17	40	16	1,2	62203-2RS1	0,083
17	47	19	1,2	62303-2RS1	0,150
20	42	16	1,2	63004-2RS1	0,086
20	47	18	1,2	62204-2RS1	0,130
20	52	21	1,2	62304-2RS1	0,200
25	47	16	1,2	63005-2RS1	0,100
25	52	18	1,2	62205-2RS1	0,150
25	62	24	1,2	62305-2RS1	0,320
30	55	19	1,2	63006-2RS1	0,160
30	62	20	1,2	62206-2RS1	0,240
30	72	27	1,2	62306-2RS1	0,480
35	62	20	1,2	63007-2RS1	0,210
35	72	23	1,2	62207-2RS1	0,370
35	80	31	1,2	62307-2RS1	0,660
40	68	21	1,2	63008-2RS1	0,260
40	80	23	1,2	62208-2RS1	0,440
40	90	33	1,2	62308-2RS1	0,890
45	75	23	1,2	63009-2RS1	0,340
45	85	23	1,2	62209-2RS1	0,480
45	100	36	1,2	62309-2RS1	1,150

d 50 ~ 70 mm

Boundary dimensions (mm)				Bearing No.	(kg)
d	D	B	r min.		
50	80	23	1,2	63010-2RS1	0,370
50	90	23	1,2	62210-2RS1	0,520
50	110	40	1,2	62310-2RS1	1,550
55	100	25	1,2	62211-2RS1	0,700
55	120	43	1,2	62311-2RS1	1,950
60	110	28	1,2	62212-2RS1	0,970
60	130	46	1,2	62312-2RS1	2,500
65	120	31	1,2	62213-2RS1	1,250
65	140	48	1,2	62313-2RS1	3,000
70	125	31	1,2	62214-2RS1	1,300
70	150	51	1,2	62314-2RS1	3,550

Double-row deep groove ball bearings

d 10 ~ 75 mm



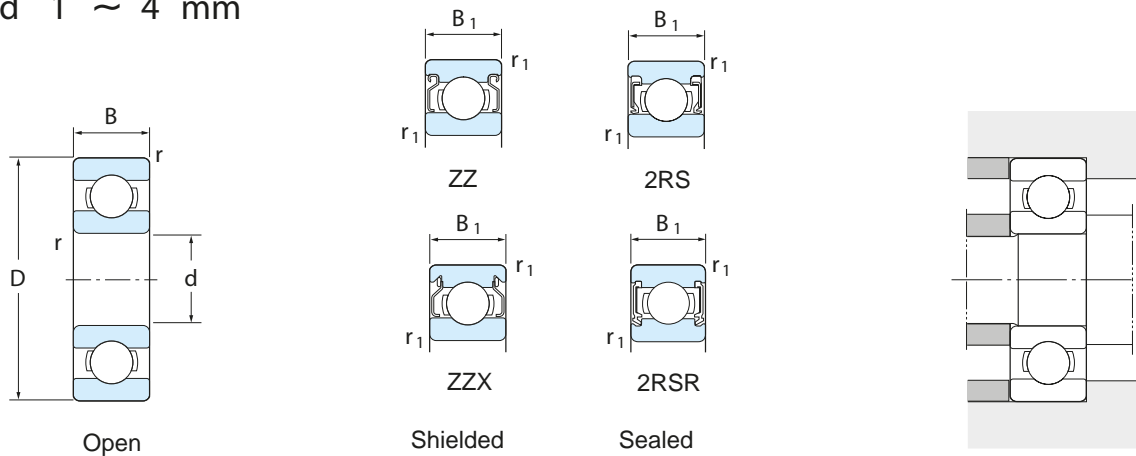
Boundary dimensions (mm)				Bearing No.	(kg)
d	D	B	r min.		
10	30	14	0.6	4200	0.057
12	32	14	0.6	4201	0.062
15	35	14	0.6	4202	0.071
	42	17	1	4302	0.123
17	40	16	0.6	4203	0.106
	47	19	1	4303	0.171
20	47	18	1	4204	0.165
	52	21	1.1	4304	0.227
25	52	18	1	4205	0.189
	62	24	1.1	4305	0.365
30	62	20	1	4206	0.298
	72	27	1.1	4306	0.542
35	72	23	1.1	4207	0.460
	80	31	1.5	4307	0.752
40	80	23	1.1	4208	0.558
	90	33	1.5	4308	1.01
45	85	23	1.1	4209	0.605
	100	36	1.5	4309	1.35
50	90	23	1.1	4210	0.651
	110	40	2	4310	1.80
55	100	25	1.5	4211	0.882
	120	43	2	4311	2.29
60	110	28	1.5	4212	1.20
	130	46	2.1	4312	2.87
65	120	31	1.5	4213	1.59
	140	48	2.1	4313	3.46
70	125	31	1.5	4214	1.68
	150	51	2.1	4314	4.21
75	130	31	1.5	4215	1.77
	160	55	2.1	4315	5.15



Miniature ball bearings

Extra-small ball bearings, miniature ball bearings

d 1 ~ 4 mm

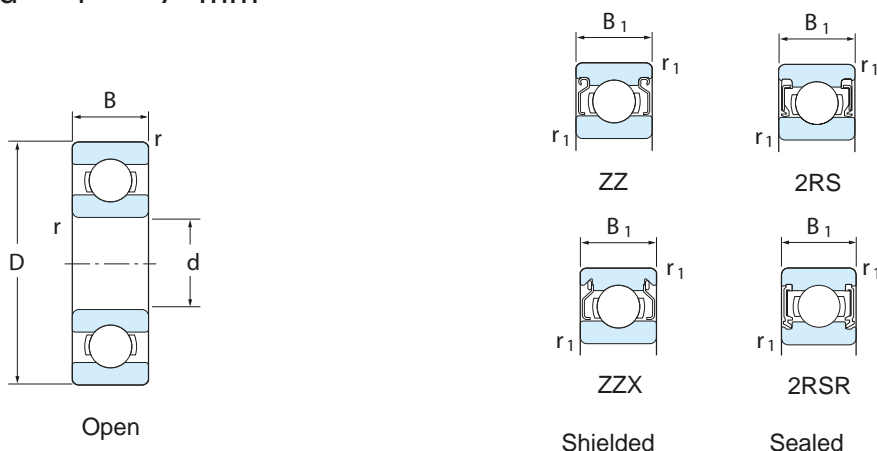


d	Boundary dimensions (mm)					Bearing No.			(g)
	D	B	B ₁	r ¹⁾ _{min.}	r ₁ ¹⁾ _{min.}	Open	Shielded	Sealed	
1	3	1	—	0.07	—	681	—	—	0.03
	3	1.5	—	0.08	—	MR 31	—	—	0.05
	4	1.6	—	0.1	—	691	—	—	0.1
1.2	4	1.8	2.5	0.08	—		MR 41 ZZ	—	0.1
1.5	4	1.2	2	0.1	0.1	681 X	681 XZZ	—	0.1
	5	2	2.6	0.15	0.15	691 X	691 XZZ	—	0.1
	6	2.5	3	0.1	0.1	601 X	601 XZZ	—	0.3
2	5	1.5	2.3	0.1	0.1	682	682 ZZ	—	0.1
	5	2	2.5	0.1	0.08	MR 52	MR 52 ZZ	—	0.1
	6	2.3	3	0.15	0.1	692	692 ZZ	—	0.2
	6	2.5	3	0.1	0.1	MR 62	M 62 ZZ	—	0.3
	7	2.5	3	0.15	0.15	MR 72	MR 72 ZZ	—	0.4
	7	2.8	3.5	0.15	0.15	602	602 ZZ	—	0.5
2.5	6	1.8	2.6	0.1	0.1	682 X	682 XZZ	—	0.2
	7	2.5	3.5	0.15	0.15	692 X	692 XZZ	—	0.4
	8	2.5	—	1	—	MR 82	—	—	0.6
	8	2.8	4	0.15	0.1	602 X	602 XZZ	—	0.6
3	6	2	2.5	0.08	0.05	MR 63	MR 63 ZZ	—	0.2
	7	2	3	(0.15)	(0.15)	683	683 ZZ	—	0.3
	8	2.5	—	1	—	MR 83	—	—	0.5
	8	3	4	0.15	0.15	693	693 ZZ	—	0.6
	9	2.5	4	0.15	0.15	MR 93	MR 93 ZZ	—	0.9
	9	3	5	0.15	0.15	603	603 ZZX	—	0.9
	10	4	4	0.15	0.15	623	623 ZZ	623 2RS	1.6
	13	5	5	0.2	0.2	633	633 ZZ	—	3.0
4	7	2	2.5	0.08	0.05	MR 74	MR 74 ZZ	—	0.2
	8	2	3	0.1	0.08	MR 84	MR 84 ZZ	—	0.4
	9	2.5	4	(0.15)	(0.15)	684	684 ZZ	—	0.6

Greased with Kyodo Multemp SRL
 Also available in stainless steel (AISI 440 C / 420 C)

Extra-small ball bearings, miniature ball bearings

d 4 ~ 7 mm

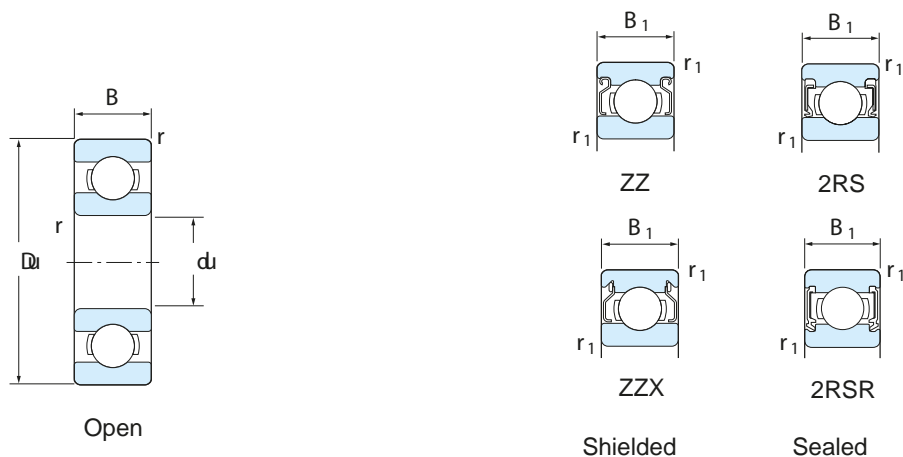


d	Boundary dimensions (mm)					Bearing No.			
	D	B	B ₁	r _{min.}	r _{1 min.}	Open	Shielded	Contact sealed	(g)
4	10	3	4	0.15	0.1	MR 104	MR 104 ZZ	—	1.0
	11	4	4	0.15	0.15	694	694 ZZ	694 2RS	1.8
	12	4	4	0.2	0.2	604	604 ZZ	—	2.1
	13	5	5	0.2	0.2	624	624 ZZ	624 2RS	2.9
	16	5	5	0.3	0.3	634	634 ZZ	—	5.3
5	8	2	2.5	0.08	0.05	MR 85	MR 85 ZZ	—	0.3
	9	2.5	3	0.1	0.08	MR 95	MR 95 ZZ	—	0.5
	10	3	4	0.1	0.1	MR 105	MR 105 ZZ	—	0.9
	11	3	4	0.15	0.15	MR 115	—	—	—
	11	3	5	0.15	0.15	685	685 ZZ	—	1.0
	13	4	4	0.2	0.2	695	695 ZZ	695 2RS	2.2
	14	5	5	0.2	0.2	605	605 ZZ	—	3.5
	16	5	5	0.3	0.3	625	625 ZZ	625 2RS	5.0
	19	6	6	0.3	0.3	635	635 ZZ	635 2RS	8.5
6	10	2.5	3	0.1	0.08	MR 106	MR 106 ZZ	—	0.6
	12	3	4	0.15	0.1	MR 126	MR 126 ZZ	—	1.3
	13	3.5	5	0.15	0.15	686	686 ZZ	686 2RS	1.8
	15	5	5	0.2	0.2	696	696 ZZ	696 2RS	3.9
	17	6	6	0.3	0.3	606	606 ZZ	—	5.8
	19	6	6	0.3	0.3	626	626 ZZ	626 2RS	8.1
	19	8	8	0.3	0.3	MR 129	MR 129 ZZ	—	9.0
	22	7	7	0.3	0.3	636	636 ZZ	636 2RS	13
7	11	2.5	3	0.1	0.08	MR 117	MR 117 ZZ	—	0.7
	13	3	4	0.15	0.15	MR 137	MR 137 ZZ	—	1.4
	14	3.5	5	0.15	0.15	687	687 ZZ	—	2.0
	17	5	5	0.3	0.3	697	697 ZZ	697 2RS	5.3
	19	6	6	0.3	0.3	607	607 ZZ	607 2RS	7.6
	22	7	7	0.3	0.3	627	627 ZZ	627 2RS	13
	22	8	8	0.3	0.3	MR 127	MR 127 ZZ	—	14

Greased with Kyodo Multemp SRL
 Also available in stainless steel (AISI 440 C / 420 C)

Extra-small ball bearings, miniature ball bearings

d 7 ~ 9 mm

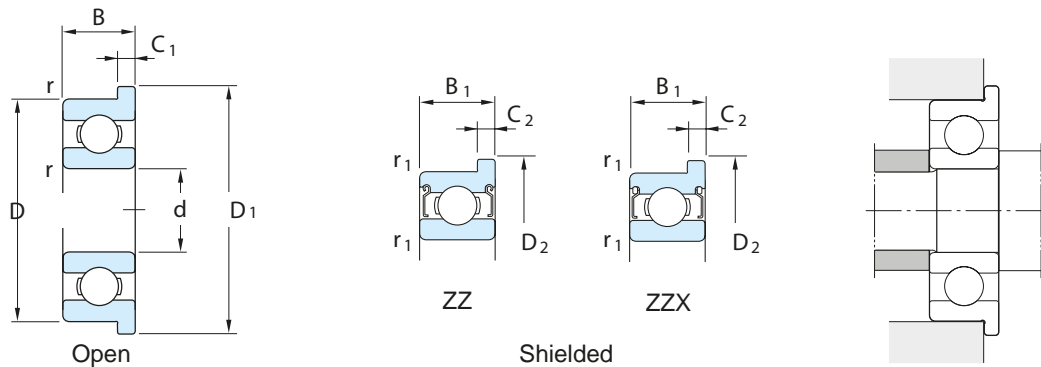


Boundary dimensions (mm)						Bearing No.			
d	D	B	B ₁	r ¹⁾ min.	r ₁ ¹⁾ min.	Open	Shielded	Sealed	(g)
7	26	9	9	0.3	0.3	637	637 ZZ	—	24
8	12	2.5	3.5	0.1	0.08	MR 128	MR 128 ZZ	—	0.8
	14	3.5	4	0.15	0.15	MR 148	MR 148 ZZ	—	1.8
	16	4	5	0.2	0.2	688	688 ZZ	688 2RS	3.2
	19	6	6	0.3	0.3	698	698 ZZ	698 2RS	7.2
	22	7	7	0.3	0.3	608	608 ZZ	608 2RS	12
	24	8	8	0.3	0.3	628	628 ZZ	628 2RS	18
	28	9	9	0.3	0.3	638	638 ZZ	—	29
9	17	4	5	0.2	0.2	689	689 ZZ	—	3.5
	20	6	6	0.3	0.3	699	699 ZZ	699 2RS	7.5
	24	7	7	0.3	0.3	609	609 ZZ	609 2RS	15
	26	8	8	(0.6)	(0.6)	629	629 ZZ	629 2RS	20
	30	10	10	0.6	0.6	639	639 ZZ	—	35

Greased with Kyodo Multemp SRL
 Also available in stainless steel (AISI 440 C / 420 C)

Extra-small ball bearings, miniature ball bearings flanged type

d 1 ~ 4 mm

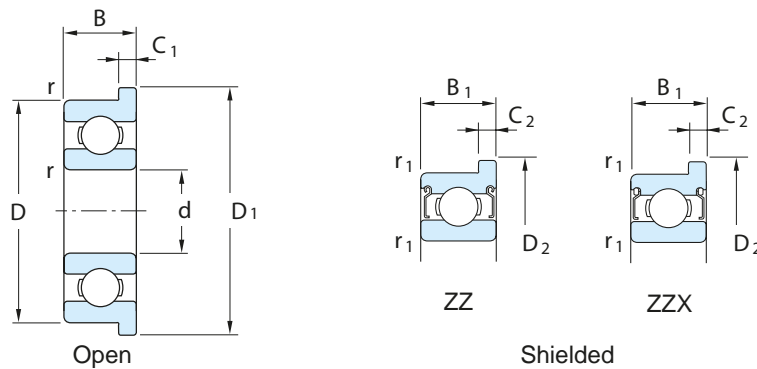


d	Boundary dimensions (mm)					Bearing No.		Dimensions of flange (mm)					
	D	B	B ₁	r ¹⁾ _{min.}	r ₁ ¹⁾ _{min.}	Open	Shielded	D ₁	D ₂	C ₁	C ₂	(g)	
1	3	1	—	0.07	—	F681	—	—	—	—	—	0.03	
	4	1.6	—	0.1	—	F691	—	3.8	—	0.5	0.3	0.1	
1.5	4	1.2	2	0.1	0.1	F681 X	F 681 XZZ	5	5	0.4	0.6	0.1	
	5	2	2.6	0.15	0.15	F691 X	F 691 XZZ	6.5	6.5	0.6	0.8	0.2	
	6	2.5	3	0.1	0.1	F601 X	F601 XZZ	7.5	7.5	0.6	0.8	0.4	
2	5	1.5	2.3	0.1	0.1	F682	F682 ZZ	6.1	6.1	0.5	0.6	0.1	
	5	2	2.5	0.1	0.08	MF 52	MF 52 ZZ	6.2	6.2	0.6	0.6	0.2	
	6	2.3	3	0.15	0.1	F692	F692 ZZ	7.5	7.5	0.6	0.8	0.3	
	6	2.5	3	0.1	0.1	MF 62	MF 62 ZZ	7.2	7.2	0.6	0.6	0.4	
	7	2.5	3	0.15	0.15	MF 72	MF 72 ZZ	8.2	8.2	0.6	0.6	0.5	
	7	2.8	3.5	0.15	0.15	F602	F602 ZZ	8.5	8.5	0.7	0.9	0.6	
2.5	6	1.8	2.6	0.1	0.1	F682 X	F682 XZZ	7.1	7.1	0.5	0.8	0.2	
	7	2.5	3.5	0.15	0.15	F692 X	F692 XZZ	8.5	8.5	0.7	0.9	0.5	
	8	2.5	—	1	—	MF 82 X	—	—	—	—	—	—	
	8	2.8	4	0.15	0.1	F602 X	F602 XZZ	9.2	9.5	0.7	0.6	0.9	0.7
3	6	2	2.5	0.08	0.05	MF 63	MF 63 ZZ	7.2	7.2	0.6	0.6	0.2	
	7	2	3	(0.15)	(0.15)	F683	F683 ZZ	7.2	8.1	0.5	0.8	0.4	
	8	2.5	—	1	—	MF 83	—	8.1	—	—	—	—	
	8	3	4	0.15	0.15	F693	F693 ZZ	9.2	9.5	0.7	0.6	0.9	0.7
	9	2.5	4	0.15	0.15	MF 93	MF 93 ZZ	10.2	9.5	0.6	0.8	1.0	
	9	3	5	0.15	0.15	F603	F603 ZZ	10.5	10.5	0.7	1	1.0	
	10	4	4	0.15	0.15	F623	F623 ZZ	11.5	11.5	1	1	1.8	
	13	5	5	0.15	0.15	F633	F633 ZZ	15	15	1	1	3.6	
4	7	2	2.5	0.08	0.05	MF 74	MF 74 ZZ	8.2	8.2	0.6	0.6	0.3	
	8	2	3	0.1	0.08	MF 84	MF 84 ZZ	9.2	9.2	0.6	0.6	0.5	
	9	2.5	4	(0.15)	(0.15)	F684	F684 ZZ	10.3	10.3	0.6	1	0.7	
	10	3	4	0.15	0.1	MF 104	MF 104 ZZ	11.2	11.6	0.6	0.8	1.1	
	11	4	4	0.15	0.15	F694	F694 ZZ	12.5	12.5	1	1	2.0	
	12	4	4	0.2	0.2	F604	F604 ZZ	13.5	13.5	1	1	2.3	

Greased with Kyodo Multemp SRL
Also available in stainless steel (AISI 440 C / 420 C)

Extra-small ball bearings, miniature ball bearings flanged type

d 4 ~ 8 mm

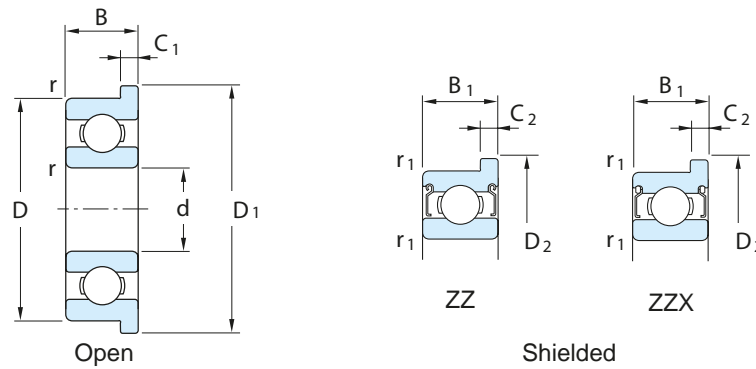


d	Boundary dimensions (mm)					Bearing No.		Dimensions of flange (mm)				(g)
	D	B	B ₁	r _{min.}	r _{1 min.}	Open	Shielded	D ₁	D ₂	C ₁	C ₂	
4	13	5	5	0.2	0.2	F624	F624 ZZ	15	15	1	1	3.3
	16	5	5	0.3	0.3	F634	F634 ZZ	18	18	1	1	5.7
5	8	2	2.5	0.08	0.05	MF 85	MF 85 ZZ	9.2	9.2	0.6	0.6	0.4
	9	2.5	3	0.1	0.08	MF 95	MF 95 ZZ	10.2	10.2	0.6	0.6	0.6
	10	3	4	0.1	0.1	MF 105	MF 105 ZZ	11.2	11.6	0.6	0.8	1.0
	11	3	5	0.15	0.15	F685	F685 ZZ	12.5	12.5	0.8	1	1.1
	13	4	4	0.2	0.2	F695	F695 ZZ	15	15	1	1	2.5
	14	5	5	0.2	0.2	F605	F605 ZZ	16	16	1	1	3.9
	16	5	5	0.3	0.3	F625	F625 ZZ	18	18	1	1	5.4
	19	6	6	0.3	0.3	F635	F635 ZZ	22	22	1.5	1.5	9.7
6	10	2.5	3	0.1	0.08	MF 106	MF 106 ZZ	11.2	11.2	0.6	0.6	0.7
	12	3	4	0.15	0.1	MF 126	MF 126 ZZ	13.2	13.6	0.6	0.8	1.4
	13	3.5	5	0.15	0.15	F686	F686 ZZ	15	15	1	1.1	2.1
	15	5	5	0.2	0.2	F696	F696 ZZ	17	17	1.2	1.2	4.3
	17	6	6	0.3	0.3	F606	F606 ZZ	19	19	1.2	1.2	6.3
	19	6	6	0.3	0.3	F626	F626 ZZ	22	22	1.5	1.5	9.2
	22	7	7	0.3	0.3	F636	F636 ZZ	25	25	1.5	1.5	14
7	11	2.5	3	0.1	0.08	MF 117	MF 117 ZZ	12.2	12.2	0.6	0.6	0.8
	13	3	4	0.15	0.15	MF 137	MF 137 ZZ	14.2	14.6	0.6	0.8	1.5
	14	3.5	5	0.15	0.15	F687	F687 ZZ	16	16	1	1.1	2.4
	17	5	5	0.3	0.3	F697	F697 ZZ	19	19	1.2	1.2	5.8
	19	6	6	0.3	0.3	F607	F607 ZZ	22	22	1.5	1.5	8.7
	22	7	7	0.3	0.3	F627	F627 ZZ	25	25	1.5	1.5	14
8	12	2.5	3.5	0.1	0.08	MF 128	MF 128 ZZ	13.2	13.6	0.6	0.8	0.9
	14	3.5	4	0.15	0.15	MF 148	MF 148 ZZ	15.6	15.6	0.8	0.8	2.0
	16	4	5	0.2	0.2	F688	F688 ZZ	18	18	1	1.1	3.6
	19	6	6	0.3	0.3	F698	F698 ZZ	22	22	1.5	1.5	8.3
	22	7	7	0.3	0.3	F608	F608 ZZ	25	25	1.5	1.5	13

Greased with Kyodo Multemp SRL
Also available in stainless steel (AISI 440 C / 420 C)

Extra-small ball bearings, miniature ball bearings flanged type

d 9 mm



d	Boundary dimensions (mm)					Bearing No.		Dimensions of flange (mm)				(g)
	D	B	B ₁	r _{min.}	r _{1 min.}	Open	Shielded	D ₁	D ₂	C ₁	C ₂	
9	17	4	5	0.2	0.2	F689	F689 ZZ	19	19	1	1.1	3.9
	20	6	6	0.3	0.3	F699	F699 ZZ	23	23	1.5	1.5	8.7
	24	7	7	0.3	0.3	F609	F609 ZZ	27	27	1.5	1.5	16

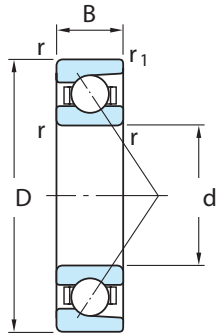
Greased with Kyodo Multemp SRL
Also available in stainless steel (AISI 440 C / 420 C)



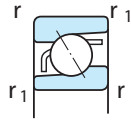
Angular contact ball bearings

Single-row angular contact ball bearings

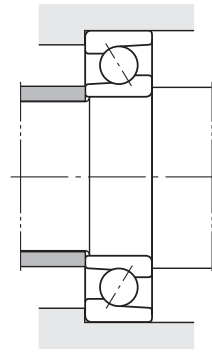
d 10 ~ 240 mm



With machined cage



With pressed cage



Boundary dimensions (mm)					Bearing No.	(kg)
d	D	B	r min.	r ₁ min.		
10	30	9	0.6	0.3	7200B	0.031
12	32	10	0.6	0.3	7201B	0.038
15	35	11	0.6	0.3	7202B	0.048
17	40	12	0.6	0.3	7203B	0.070
17	47	14	1	0.6	7303B	0.120
20	47	14	1	0.6	7204B	0.112
20	52	15	1.1	0.6	7304B	0.150
25	52	15	1	0.6	7205B	0.135
25	62	17	1.1	0.6	7305B	0.243
30	62	16	1	0.6	7206B	0.208
30	72	19	1.1	0.6	7306B	0.362
35	72	17	1.1	0.6	7207B	0.295
35	80	21	1.5	1	7307B	0.475
40	80	18	1.1	0.6	7208B	0.382
40	90	23	1.5	1	7308B	0.657
45	85	19	1.1	0.6	7209B	0.430
45	100	25	1.5	1	7309B	0.875
50	90	20	1.1	0.6	7210B	0.485
50	110	27	2	1	7310B	1.14
55	100	21	1.5	1	7211B	0.635
55	120	29	2	1	7311B	1.45
60	110	22	1.5	1	7212B	0.820
60	130	31	2.1	1.1	7312B	1.81
65	120	23	1.5	1	7213B	1.02
65	140	33	2.1	1.1	7313B	2.22
70	125	24	1.5	1	7214B	1.12
70	150	35	2.1	1.1	7314B	2.70
75	130	25	1.5	1	7215B	1.23
75	160	37	2.1	1.1	7315B	3.15
80	140	26	2	1	7216B	1.50
80	170	39	2.1	1.1	7316B	3.85

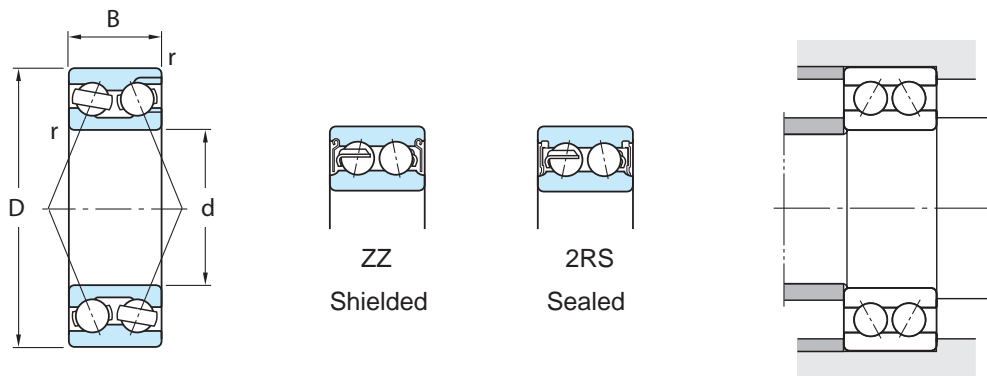
B contact angle of 40

Boundary dimensions (mm)					Bearing No.	(kg)
d	D	B	r min.	r ₁ min.		
85	150	28	2	1	7217B	1.87
85	180	41	3	1.1	7317B	4.53
90	160	30	2	1	7218B	2.30
90	190	43	3	1.1	7318B	5.30
95	170	32	2.1	1.1	7219B	2.78
95	200	45	3	1.1	7319B	6.12
100	180	34	2.1	1.1	7220B	3.32
100	215	47	3	1.1	7320B	7.53
105	190	36	2.1	1.1	7221B	3.95
105	225	49	3	1.1	7321B	8.62
110	200	38	2.1	1.1	7222B	4.65
110	240	50	3	1.1	7322B	10.1
120	215	40	2.1	1.1	7224B	5.49
120	260	55	3	1.1	7324B	12.6
130	230	40	3	1.1	7226B	6.21
130	280	58	4	1.5	7326B	15.4
140	250	42	3	1.1	7228B	7.76
140	300	62	4	1.5	7328B	18.8
150	270	45	3	1.1	7230B	9.75
150	320	65	4	1.5	7330B	22.4
160	290	48	3	1.1	7232B	12.1
160	340	68	4	1.5	7332B	26.4
170	310	52	4	1.5	7234B	15.1
170	360	72	4	1.5	7334B	31.2
180	320	52	4	1.5	7236B	15.7
180	380	75	4	1.5	7336B	40.0
190	340	55	4	1.5	7238B	18.8
190	400	78	5	2	7338B	45.5
200	360	58	4	1.5	7240B	22.4
200	420	80	5	2	7340B	52.0
240	440	72	4	1.5	7248B	52.8

B contact angle of 40 °

Double-row angular contact ball bearings

d 10 ~ 110 mm



32, 33 series

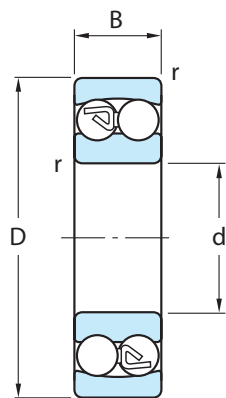
Boundary dimensions (mm)				Bearing No.			(kg)
d	D	B	r min.	Open	Shielded	Sealed	
10	30	14	0.6	3200	—	—	0.052
12	32	15.9	0.6	3201	—	—	0.063
15	35	15.9	0.6	3202	—	—	0.072
	42	19	1	3302	—	—	0.132
17	40	17.5	0.6	3203	3203 ZZ	3203 2RS	0.091
	47	22.2	1	3303	—	—	0.192
20	47	20.6	1	3204	3204 ZZ	3204 2RS	0.120
	52	22.2	1.1	3304	3304 ZZ	3304 2RS	0.230
25	52	20.6	1	3205	3205 ZZ	3205 2RS	0.190
	62	25.4	1.1	3305	3305 ZZ	3305 2RS	0.340
30	62	23.8	1	3206	3206 ZZ	3206 2RS	0.290
	72	30.2	1.1	3306	3306 ZZ	3306 2RS	0.510
35	72	27	1.1	3207	3207 ZZ	3207 2RS	0.430
	80	34.9	1.5	3307	3307 ZZ	3307 2RS	0.790
40	80	30.2	1.1	3208	—	—	0.650
	80	30.2	1.1	3208	3208 ZZ	3208 2RS	0.570
	90	36.5	1.5	3308	3308 ZZ	3308 2RS	1.05
	85	30.2	1.1	3209	3209 ZZ	3209 2RS	0.620
	100	39.7	1.5	3309	3309 ZZ	3309 2RS	1.42
50	90	30.2	1.1	3210	3210 ZZ	3210 2RS	0.670
	110	44.4	2	3310	3310 ZZ	3310 2RS	1.93
55	100	33.3	1.5	3211	3211 ZZ	3211 2RS	0.960
	120	49.2	2	3311	3311 ZZ	3311 2RS	2.30

Boundary dimensions (mm)				Bearing No.			(kg)
d	D	B	r min.	Open	Shielded	Sealed	
60	110	36.5	1.5	3212	3212 ZZ	3212 2RS	1.36
	130	54	2.1	3312	3312 ZZ	3312 2RS	3.16
65	120	38.1	1.5	3213	3213 ZZ	3213 2RS	1.66
	140	58.7	2.1	3313	3313 ZZ	3313 2RS	3.91
70	125	39.7	1.5	3214	3214 ZZ	3214 2RS	1.81
	150	63.5	2.1	3314	3314 ZZ	3314 2RS	4.89
75	130	41.3	1.5	3215	—	—	2.10
	160	68.3	2.1	3315	3315 ZZ	3315 2RS	5.97
80	140	44.4	2	3216	—	—	2.64
	170	68.3	2.1	3316	—	—	6.93
85	150	49.2	2	3217	—	—	3.39
	180	73	3	3317	—	—	8.30
90	160	52.4	2	3218	—	—	4.14
	190	73	3	3318	—	—	9.23
95	170	55.6	2.1	3219	—	—	5.00
	200	77.8	3	3319	—	—	10.9
100	180	60.3	2.1	3220	—	—	6.10
	215	82.6	3	3320	—	—	13.5
105	190	65.1	2.1	3221	—	—	7.37
	225	87.3	3	3321	—	—	15.6
110	200	69.8	2.1	3222	—	—	8.80
	240	92.1	3	3322	—	—	18.9

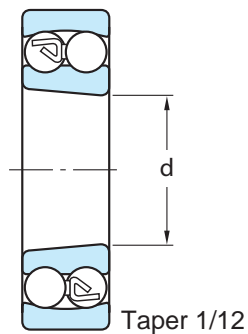


Self-aligning ball bearings

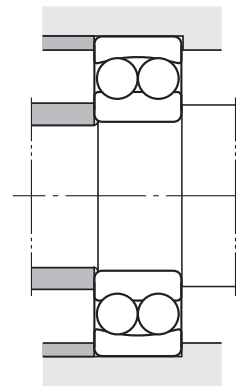
Self-aligning ball bearings d 5 ~ 50 mm open type



Cylindrical bore



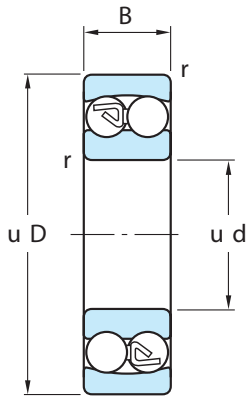
Tapered bore



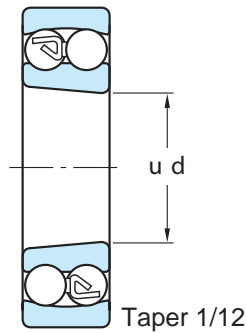
Boundary dimensions (mm)				Bearing No.		(kg)	
d	D	B	r min.	Cylindrical bore	Tapered bore	Cylindrical bore	Tapered bore
5	19	6	0.3	135	—	0.009	—
6	19	6	0.3	126	—	0.009	—
7	22	7	0.3	127	—	0.014	—
8	22	7	0.3	108	—	0.014	—
9	26	8	0.6	129	—	0.022	—
10	30	9	0.6	1200	—	0.034	—
	30	14	0.6	2200	—	0.047	—
	35	11	0.6	1300	—	0.058	—
	35	17	0.6	2300	—	0.085	—
12	32	10	0.6	1201	—	0.040	—
	32	14	0.6	2201	—	0.053	—
	37	12	1	1301	—	0.067	—
	37	17	1	2301	—	0.095	—
15	35	11	0.6	1202	—	0.049	—
	35	14	0.6	2202	—	0.060	—
	42	13	1	1302	—	0.094	—
	42	17	1	2302	—	0.114	—
17	40	12	0.6	1203	—	0.073	—
	40	16	0.6	2203	—	0.088	—
	47	14	1	1303	—	0.130	—
	47	19	1	2303	—	0.158	—
20	47	14	1	1204	1204K	0.120	0.118
	47	18	1	2204	2204K	0.140	0.136
	52	15	1.1	1304	1304K	0.163	0.161

Boundary dimensions (mm)				Bearing No.		(kg)	
d	D	B	r min.	Cylindrical bore	Tapered bore	Cylindrical bore	Tapered bore
20	52	21	1.1	2304	2304K	0.209	0.205
25	52	15	1	1205	1205K	0.141	0.138
	52	18	1	2205	2205K	0.163	0.158
	62	17	1.1	1305	1305K	0.257	0.252
	62	24	1.1	2305	2305K	0.335	0.327
30	62	16	1	1206	1206K	0.220	0.216
	62	20	1	2206	2206K	0.260	0.254
	72	19	1.1	1306	1306K	0.387	0.381
	72	27	1.1	2306	2306K	0.500	0.489
35	72	17	1.1	1207	1207K	0.323	0.317
	72	23	1.1	2207	2207K	0.403	0.396
	80	21	1.5	1307	1307K	0.510	0.502
	80	31	1.5	2307	2307K	0.675	0.657
40	80	18	1.1	1208	1208K	0.417	0.411
	80	23	1.1	2208	2208K	0.505	0.494
	90	23	1.5	1308	1308K	0.715	0.704
	90	33	1.5	2308	2308K	0.925	0.903
45	85	19	1.1	1209	1209K	0.465	0.459
	85	23	1.1	2209	2209K	0.545	0.533
	100	25	1.5	1309	1309K	0.957	0.942
	100	36	1.5	2309	2309K	1.23	1.20
50	90	20	1.1	1210	1210K	0.525	0.515
	90	23	1.1	2210	2210K	0.590	0.577
	110	27	2	1310	1310K	1.21	1.19
	110	40	2	2310	2310K	1.64	1.60

Self-aligning ball bearings d 55 ~ 110 mm
open type



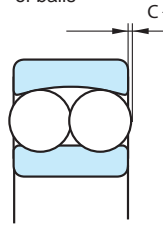
Cylindrical bore



Tapered bore

Boundary dimensions (mm)				Bearing No.		(kg)	
d	D	B	r min.	Cylindrical bore	Tapered bore	Cylindrical bore	Tapered bore
55	100	21	1.5	1211	1211K	0.705	0.693
	100	25	1.5	2211	2211K	0.810	0.792
	120	29	2	1311	1311K	1.58	1.56
	120	43	2	2311	2311K	2.10	2.05
60	110	22	1.5	1212	1212K	0.900	0.885
	110	28	1.5	2212	2212K	1.09	1.07
	130	31	2.1	1312	1312K	1.96	1.93
	130	46	2.1	2312	2312K	2.60	2.53
65	120	23	1.5	1213	1213K	1.15	1.13
	120	31	1.5	2213	2213K	1.46	1.43
	140	33	2.1	1313	1313K	2.45	2.41
	140	48	2.1	2313	2313K	3.23	3.15
70	125	24	1.5	1214	—	1.26	—
	125	31	1.5	2214	—	1.52	—
	150	35	2.1	1314	—	2.99	—
	150	51	2.1	2314	—	4.23	—
75	130	25	1.5	1215	1215K	1.36	1.34
	130	31	1.5	2215	2215K	1.62	1.58
	160	37	2.1	1315	1315K	3.56	3.51
	160	55	2.1	2315	2315K	5.13	5.01
80	140	26	2	1216	1216K	1.67	1.64
	140	33	2	2216	2216K	2.01	1.97
	170	39	2.1	1316	1316K	4.18	4.12
	170	58	2.1	2316	2316K	6.10	5.96
85	150	28	2	1217	1217K	2.07	2.04

[Note] Protruding distance of balls



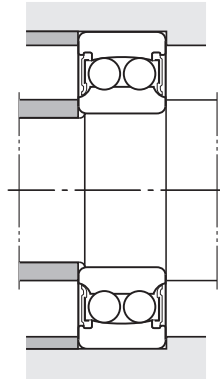
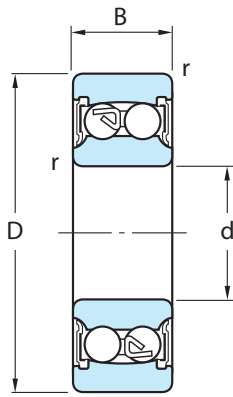
Balls of the following bearing protrude by C_1 from the bearing side.

Bearing No.	C_1 (mm)
2216	0.2
1319	1.6
1320	2.5 (approx.)
1321	2.5
1322	2.6

Boundary dimensions (mm)				Bearing No.		(kg)	
d	D	B	r min.	Cylindrical bore	Tapered bore	Cylindrical bore	Tapered bore
85	150	36	2	2217	2217K	2.52	2.46
	180	41	3	1317	1317K	4.98	4.91
	180	60	3	2317	2317K	7.05	6.89
90	160	30	2	1218	1218K	2.52	2.48
	160	40	2	2218	2218K	3.40	3.33
	190	43	3	1318	1318K	5.80	5.71
	190	64	3	2318	2318K	8.44	8.25
95	170	32	2.1	1219	1219K	3.10	3.05
	170	43	2.1	2219	2219K	4.10	4.00
	200	45	3	1319	1319K	6.69	6.59
	200	67	3	2319	2319K	9.79	9.57
100	180	34	2.1	1220	1220K	3.70	3.64
	180	46	2.1	2220	2220K	4.98	4.87
	215	47	3	1320	1320K	8.30	8.19
	215	73	3	2320	2320K	12.4	12.1
105	190	36	2.1	1221	—	4.37	—
	190	50	2.1	2221	—	6.07	—
	225	49	3	1321	—	10.0	—
	225	77	3	2321	—	14.3	—
110	200	38	2.1	1222	1222K	5.15	5.07
	200	53	2.1	2222	2222K	7.10	6.94
	240	50	3	1322	1322K	11.8	11.7
	240	80	3	2322	2322K	17.3	16.9

Self-aligning ball bearings sealed type

d 10 ~ 110 mm

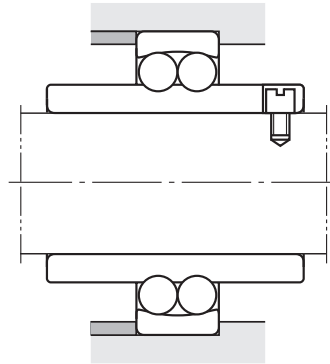
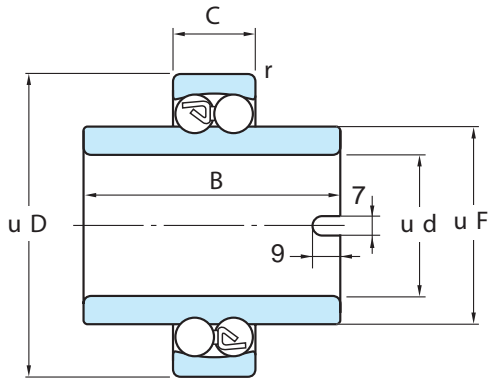


Boundary dimensions (m m)				Bearing No.	(kg)
d	D	B	r min.		
10	30	14	0.6	2200 2RS	0.047
	35	17	0.6	2300 2RS	0.085
12	32	14	0.6	2201 2RS	0.053
	37	17	1	2301 2RS	0.095
15	35	14	0.6	2202 2RS	0.060
	42	17	1	2302 2RS	0.114
17	40	16	0.6	2203 2RS	0.088
	47	19	1	2303 2RS	0.158
20	47	18	1	2204 2RS	0.140
	52	21	1.1	2304 2RS	0.209
25	52	18	1	2205 2RS	0.163
	62	24	1.1	2305 2RS	0.335
30	62	20	1	2206 2RS	0.260
	72	27	1.1	2306 2RS	0.500
35	72	23	1.1	2207 2RS	0.403
	80	31	1.5	2307 2RS	0.675
40	80	23	1.1	2208 2RS	0.505
	90	33	1.5	2308 2RS	0.925
45	85	23	1.1	2209 2RS	0.545
	100	36	1.5	2309 2RS	1.23
50	90	23	1.1	2210 2RS	0.590
	110	40	2	2310 2RS	1.64
55	100	25	1.5	2211 2RS	0.810
	120	43	2	2311 2RS	2.10

Boundary dimensions (mm)				Bearing No.	(kg)
d	D	B	r min.		
60	110	28	1.5	2212 2RS	1.09
	130	46	2.1	2312 2RS	2.60
65	120	31	1.5	2213 2RS	1.46
	140	48	2.1	2313 2RS	3.23
70	125	31	1.5	2214 2RS	1.52
	150	51	2.1	2314 2RS	4.23
75	130	31	1.5	2215 2RS	1.62
	160	55	2.1	2315 2RS	5.13
80	140	33	2	2216 2RS	2.01
	170	58	2.1	2316 2RS	6.10
85	150	36	2	2217 2RS	2.52
90	160	40	2	2218 2RS	3.40
95	170	43	2.1	2219 2RS	4.10
100	180	46	2.1	2220 2RS	4.98
105	190	50	2.1	2221 2RS	6.07
110	200	53	2.1	2222 2RS	7.10

Self-aligning ball bearings
extended inner ring type

d 20 ~ 60 mm



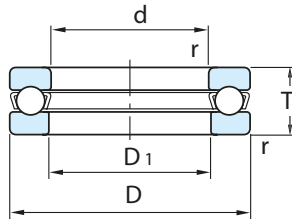
Boundary dimensions (mm)						Bearing No.	(kg)
d	D	B	C	F	r min.		
20	47	40	14	29.2	1	11204	0.191
	52	44	15	31.5	1.1	11304	0.266
25	52	44	15	33.3	1	11205	0.226
	62	48	17	38	1.1	11305	0.445
30	62	48	16	40.1	1	11206	0.360
	72	52	19	45	1.1	11306	0.614
35	72	52	17	47.7	1.1	11207	0.556
	80	56	21	51.7	1.5	11307	0.821
40	80	56	18	54	1.1	11208	0.733
	90	58	23	57.7	1.5	11308	1.09
45	85	58	19	57.7	1.1	11209	0.793
	100	60	25	63.9	1.5	11309	1.40
50	90	58	20	62.7	1.1	11210	0.875
	110	62	27	70.3	2	11310	1.74
55	100	60	21	70.3	1.5	11211	1.16
60	110	62	22	78	1.5	11212	1.52



Thrust ball bearings

Single direction thrust ball bearings

d 2 ~ 12 mm

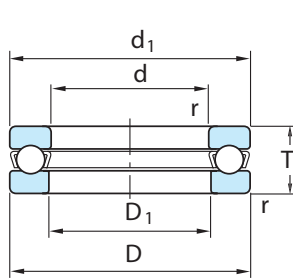


Boundary dimensions (mm)				Bearing No.			
d	D	T	r min.			D ₁ min.	(kg)
2	6	3,0	0,10	F 2-6		2,2	0,0006
3	8	3,5	0,20	F 3-8 M	BA 3	3,2	1,2000
4	9	4,0	0,20	F 4-9 M		4,2	1,3000
	10	4,0	0,20	F 4-10 M	BA 4	4,2	1,3500
5	10	4,0	0,20	F 5-10 M		5,2	1,4000
	11	4,5	0,15	F 5-11		5,2	2,4000
	12	4,0	0,20	F 5-12 M	BA 5	5,2	1,4000
6	12	4,5	0,30	F 6-12 M		6,2	1,4500
	14	5,0	0,25	F 6-14 M	BA 6	6,2	1,5000
7	13	4,5	0,20	F 7-13 M		7,2	1,5000
	15	5,5	0,20	F 7-15		7,2	4,4000
	15	5,5	0,30	F 7-15 M		7,2	4,4000
	17	6,0	0,30	F 7-17 M	BA 7	7,2	1,6000
8	16	5,0	0,30	F 8-16 M		8,2	1,7000
	19	7,0	0,40	F 8-19 M	BA 8	8,2	1,8000
9	17	5,0	0,20	F 9-17		9,2	5,1000
	17	5,0	0,20	F 9-17 M		9,2	5,1000
	19	6,5	0,30	F 9-19 M		9,2	7,9000
	20	7,0	0,40	F 9-20 M	BA 9	9,2	1,9000
10	18	5,5	0,30	F 10-18 M		10,2	1,8000
	20	6,5	0,30	F 10-20 M		10,2	8,2000
	24	9	0,3	51100	—	11,0	0,0200
	26	11	0,6	51200		12,0	0,0300
12	23	7,5	0,30	F 12-23 M		12,2	13,0000
	26	9	0,3	51101	—	13,0	0,0220
	28	11	0,6	51201		14,0	0,0340

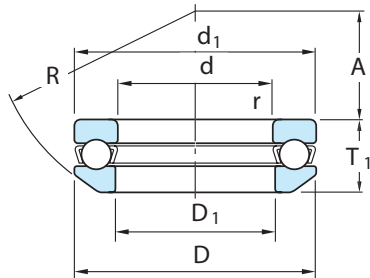
Also available in stainless steel (AISI 440 C / 420 C)

Single direction thrust ball bearings

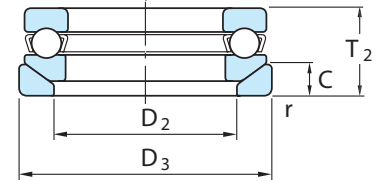
d 10 ~ 40 mm



With flat back faces

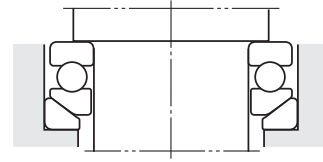
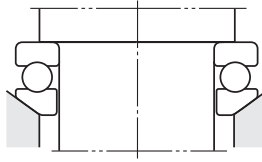
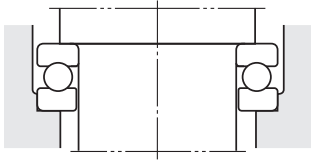


With spherical back face



With aligning seat race

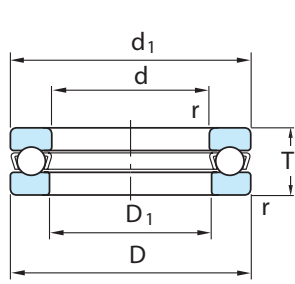
d	Boundary dimensions (mm)					Bearing No.		
	D	T	T ₁	T ₂	r min.	With flat back faces	With spherical back face	With aligning seat race
10	24	9	—	—	0.3	51100	—	—
	26	11	11.6	13	0.6	51200	53200	53200U
12	26	9	—	—	0.3	51101	—	—
	28	11	11.4	13	0.6	51201	53201	53201U
15	28	9	—	—	0.3	51102	—	—
	32	12	13.3	15	0.6	51202	53202	53202U
17	30	9	—	—	0.3	51103	—	—
	35	12	13.2	15	0.6	51203	53203	53203U
20	35	10	—	—	0.3	51104	—	—
	40	14	14.7	17	0.6	51204	53204	53204U
25	42	11	—	—	0.6	51105	—	—
	47	15	16.7	19	0.6	51205	53205	53205U
	52	18	19.8	22	1	51305	53305	53305U
	60	24	26.4	29	1	51405	53405	53405U
30	47	11	—	—	0.6	51106	—	—
	52	16	17.8	20	0.6	51206	53206	53206U
	60	21	22.6	25	1	51306	53306	53306U
	70	28	30.1	33	1	51406	53406	53406U
35	52	12	—	—	0.6	51107	—	—
	62	18	19.9	22	1	51207	53207	53207U
	68	24	25.6	28	1	51307	53307	53307U
	80	32	34	37	1.1	51407	53407	53407U
40	60	13	—	—	0.6	51108	—	—
	68	19	20.3	23	1	51208	53208	53208U
	78	26	28.5	31	1	51308	53308	53308U



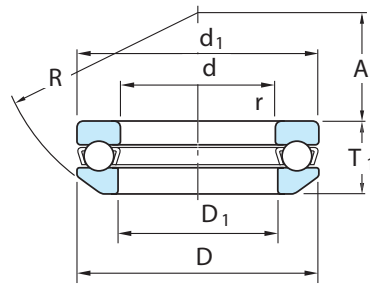
d ₁ max.	D ₁ min.	Dimensions (mm)					(kg)		
		D ₂	D ₃	A	R	C	With flat back faces	With spherical back face	With aligning seat race
24	11	—	—	—	—	—	0.020	—	—
26	12	18	28	8.5	22	3.5	0.030	0.029	0.037
26	13	—	—	—	—	—	0.022	—	—
28	14	20	30	11.5	25	3.5	0.034	0.031	0.043
28	16	—	—	—	—	—	0.024	—	—
32	17	24	35	12	28	4	0.046	0.048	0.062
30	18	—	—	—	—	—	0.028	—	—
35	19	26	38	16	32	4	0.053	0.055	0.070
35	21	—	—	—	—	—	0.040	—	—
40	22	30	42	18	36	5	0.082	0.080	0.100
42	26	—	—	—	—	—	0.059	—	—
47	27	36	50	19	40	5.5	0.120	0.120	0.152
52	27	38	55	21	45	6	0.180	0.180	0.224
60	27	42	62	19	50	8	0.340	0.350	0.442
47	32	—	—	—	—	—	0.068	—	—
52	32	42	55	22	45	5.5	0.150	0.160	0.193
60	32	45	62	22	50	7	0.270	0.270	0.326
70	32	50	75	20	56	9	0.530	0.530	0.660
52	37	—	—	—	—	—	0.090	—	—
62	37	48	65	24	50	7	0.220	0.220	0.277
68	37	52	72	24	56	7.5	0.390	0.400	0.484
80	37	58	85	23	64	10	0.790	0.790	0.960
60	42	—	—	—	—	—	0.120	—	—
68	42	55	72	28.5	56	7	0.270	0.270	0.340
78	42	60	82	28	64	8.5	0.550	0.570	0.690

Single direction thrust ball bearings

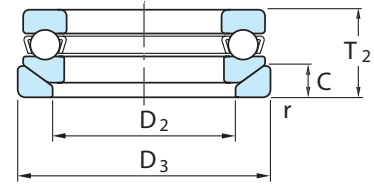
d 40 ~ 70 mm



With flat back faces



With spherical back face



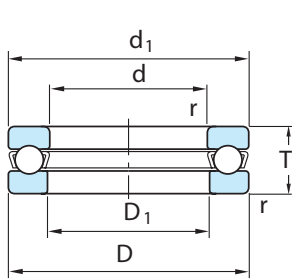
With aligning seat race

d	Boundary dimensions (mm)					Bearing No.		
	D	T	T ₁	T ₂	r min.	With flat back faces	With spherical back face	With aligning seat race
40	90	36	38.2	42	1.1	51408	53408	53408U
45	65	14	—	—	0.6	51109	—	—
	73	20	21.3	24	1	51209	53209	53209U
	85	28	30.1	33	1	51309	53309	53309U
	100	39	42.4	46	1.1	51409	53409	53409U
50	70	14	—	—	0.6	51110	—	—
	78	22	23.5	26	1	51210	53210	53210U
	95	31	34.3	37	1.1	51310	53310	53310U
	110	43	45.6	50	1.5	51410	53410	53410U
55	78	16	—	—	0.6	51111	—	—
	90	25	27.3	30	1	51211	53211	53211U
	105	35	39.3	42	1.1	51311	53311	53311U
	120	48	50.5	55	1.5	51411	53411	53411U
60	85	17	—	—	1	51112	—	—
	95	26	28	31	1	51212	53212	53212U
	110	35	38.3	42	1.1	51312	53312	53312U
	130	51	54	58	1.5	51412	53412	53412U
65	90	18	—	—	1	51113	—	—
	100	27	28.7	32	1	51213	53213	53213U
	115	36	39.4	43	1.1	51313	53313	53313U
	140	56	60.2	65	2	51413	53413	53413U
70	95	18	—	—	1	51114	—	—
	105	27	28.8	32	1	51214	53214	53214U
	125	40	44.2	48	1.1	51314	53314	53314U
	150	60	63.6	69	2	51414	53414	53414U

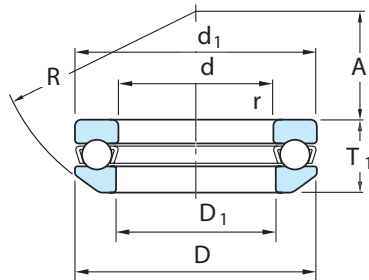
d ₁ max.	D ₁ min.	Dimensions (mm)					(kg)		
		D ₂	D ₃	A	R	C	With flat back faces	With spherical back face	With aligning seat race
90	42	65	95	26	72	12	1.14	1.12	1.37
65	47	—	—	—	—	—	0.150	—	—
73	47	60	78	26	56	7.5	0.320	0.310	0.397
85	47	65	90	25	64	10	0.690	0.680	0.850
100	47	72	105	29	80	12.5	1.47	1.50	1.82
70	52	—	—	—	—	—	0.160	—	—
78	52	62	82	32.5	64	7.5	0.390	0.380	0.480
95	52	72	100	28	72	11	1.00	1.01	1.24
110	52	80	115	35	90	14	1.99	1.97	2.38
78	57	—	—	—	—	—	0.240	—	—
90	57	72	95	35	72	9	0.610	0.620	0.770
105	57	80	110	30	80	11.5	1.34	1.41	1.69
120	57	88	125	28	90	15.5	2.64	2.57	3.10
85	62	—	—	—	—	—	0.290	—	—
95	62	78	100	32.5	72	9	0.690	0.690	0.850
110	62	85	115	41	90	11.5	1.43	1.47	1.78
130	62	95	135	34	100	16	3.51	3.44	4.13
90	67	—	—	—	—	—	0.340	—	—
100	67	82	105	40	80	9	0.770	0.750	0.930
115	67	90	120	38.5	90	12.5	1.57	1.61	1.95
140	68	100	145	40	112	17.5	4.47	4.47	5.28
95	72	—	—	—	—	—	0.360	—	—
105	72	88	110	38	80	9	0.810	0.800	0.990
125	72	98	130	43	100	13	2.06	2.15	2.56
150	73	110	155	34	112	19.5	5.48	5.38	6.37

Single direction thrust ball bearings

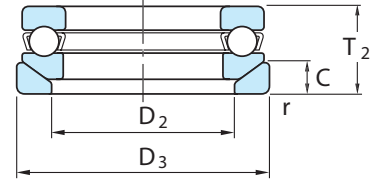
d 75 ~ 120 mm



With flat back faces



With spherical back face



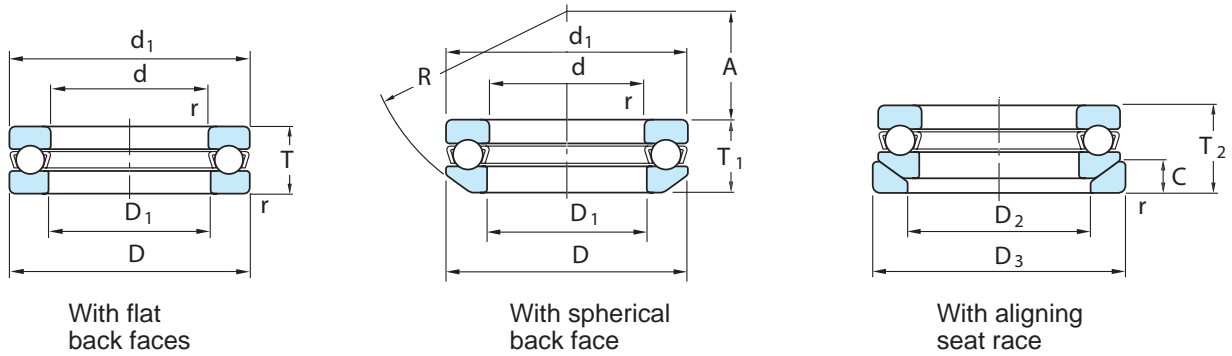
With aligning seat race

Boundary dimensions (mm)						Bearing No.		
d	D	T	T ₁	T ₂	r min.	With flat back faces	With spherical back face	With aligning seat race
75	100	19	—	—	1	51115	—	—
	110	27	28.3	32	1	51215	53215	53215U
	135	44	48.1	52	1.5	51315	53315	53315U
	160	65	69	75	2	51415	53415	53415U
80	105	19	—	—	1	51116	—	—
	115	28	29.5	33	1	51216	53216	53216U
	140	44	47.6	52	1.5	51316	53316	53316U
	170	68	72.2	78	2.1	51416	53416	53416U
85	110	19	—	—	1	51117	—	—
	125	31	33.1	37	1	51217	53217	53217U
	150	49	53.1	58	1.5	51317	53317	53317U
	180	72	77	83	2.1	51417	53417	53417U
90	120	22	—	—	1	51118	—	—
	135	35	38.5	42	1.1	51218	53218	53218U
	155	50	54.6	59	1.5	51318	53318	53318U
	190	77	81.2	88	2.1	51418	53418	53418U
100	135	25	—	—	1	51120	—	—
	150	38	40.9	45	1.1	51220	53220	53220U
	170	55	59.2	64	1.5	51320	53320	53320U
	210	85	90	98	3	51420	53420	53420U
110	145	25	—	—	1	51122	—	—
	160	38	40.2	45	1.1	51222	53222	53222U
	190	63	67.2	72	2	51322	53322	53322U
	230	95	—	—	3	51422	—	—
120	155	25	—	—	1	51124	—	—

d ₁ max.	D ₁ min.	Dimensions (mm)					(kg)		
		D ₂	D ₃	A	R	C	With flat back faces	With spherical back face	With aligning seat race
100	77	—	—	—	—	—	0.420	—	—
110	77	92	115	49	90	9.5	0.860	0.850	1.06
135	77	105	140	37	100	15	2.68	2.72	3.27
160	78	115	165	42	125	21	6.75	6.64	7.87
105	82	—	—	—	—	—	0.430	—	—
115	82	98	120	46	90	10	0.950	0.930	1.15
140	82	110	145	50	112	15	2.82	2.86	3.43
170	83	125	175	36	125	22	7.97	7.84	9.22
110	87	—	—	—	—	—	0.460	—	—
125	88	105	130	52	100	11	1.29	1.28	1.57
150	88	115	155	43	112	17.5	3.66	3.63	4.44
177	88	130	185	47	140	23	9.29	9.20	10.8
120	92	—	—	—	—	—	0.680	—	—
135	93	110	140	45	100	13.5	1.77	1.77	2.19
155	93	120	160	40	112	18	3.88	3.87	4.71
187	93	140	195	40	140	25.5	11.0	10.7	12.6
135	102	—	—	—	—	—	0.990	—	—
150	103	125	155	52	112	14	2.36	2.34	2.84
170	103	135	175	46	125	18	5.11	5.10	6.05
205	103	155	220	50	160	27	14.6	14.5	17.4
145	112	—	—	—	—	—	1.08	—	—
160	113	135	165	65	125	14	2.57	2.50	3.06
187	113	150	195	51	140	20.5	7.72	7.63	8.90
225	113	—	—	—	—	—	19.8	—	—
155	122	—	—	—	—	—	1.16	—	—

Single direction thrust ball bearings

d 120 ~ 180 mm

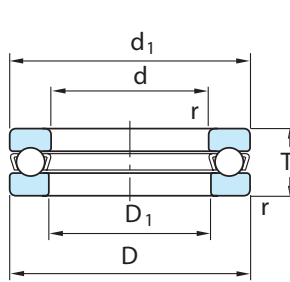


Boundary dimensions (mm)						Bearing No.		
d	D	T	T ₁	T ₂	r min.	With flat back faces	With spherical back face	With aligning seat race
120	170	39	40.8	46	1.1	51224	53224	53224U
	210	70	74.1	80	2.1	51324	53324	53324U
	250	102	—	—	4	51424	—	—
130	170	30	—	—	1	51126	—	—
	190	45	47.9	53	1.5	51226	53226	53226U
	225	75	80.3	86	2.1	51326	53326	53326U
	270	110	—	—	4	51426	—	—
140	180	31	—	—	1	51128	—	—
	200	46	48.6	55	1.5	51228	53228	53228U
	240	80	84.9	92	2.1	51328	53328	53328U
	280	112	—	—	4	51428	—	—
150	190	31	—	—	1	51130	—	—
	215	50	53.3	60	1.5	51230	53230	53230U
	250	80	83.7	92	2.1	51330	53330	53330U
	300	120	—	—	4	51430	—	—
160	200	31	—	—	1	51132	—	—
	225	51	54.7	61	1.5	51232	53232	53232U
	270	87	91.7	100	3	51332	53332	53332U
	320	130	—	—	5	51432	—	—
170	215	34	—	—	1.1	51134	—	—
	240	55	58.7	65	1.5	51234	53234	53234U
	280	87	91.3	100	3	51334	53334	53334U
	340	135	—	—	5	51434	—	—
180	225	34	—	—	1.1	51136	—	—
	250	56	58.2	66	1.5	51236	53236	53236U
	300	95	99.3	109	3	51336	53336	53336U

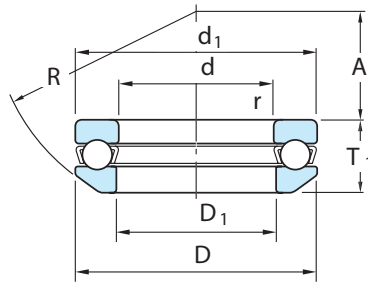
d ₁ max.	D ₁ min.	Dimensions (mm)					(kg)		
		D ₂	D ₃	A	R	C	With flat back faces	With spherical back face	With aligning seat race
170	123	145	175	61	125	15	2.86	2.81	3.46
205	123	165	220	63	160	22	10.6	10.4	12.4
245	123	—	—	—	—	—	25.0	—	—
170	132	—	—	—	—	—	1.87	—	—
187	133	160	195	67	140	17	4.09	3.98	4.88
220	134	177	235	53	160	26	13.0	12.7	15.2
265	134	—	—	—	—	—	31.4	—	—
178	142	—	—	—	—	—	2.02	—	—
197	143	170	210	87	160	17	4.46	4.35	5.89
235	144	190	250	68	180	26	15.5	15.1	18.0
275	144	—	—	—	—	—	33.9	—	—
188	152	—	—	—	—	—	2.15	—	—
212	153	180	225	79	160	20.5	5.64	5.45	7.14
245	154	200	260	89.5	200	26	16.3	15.7	18.8
295	154	—	—	—	—	—	41.6	—	—
198	162	—	—	—	—	—	2.28	—	—
222	163	190	235	74	160	21	6.53	6.09	7.90
265	164	215	280	77	200	29	21.0	21.0	23.4
315	164	—	—	—	—	—	51.2	—	—
213	172	—	—	—	—	—	3.25	—	—
237	173	200	250	91	180	21.5	8.12	7.69	9.83
275	174	220	290	105	225	29	22.0	22.0	24.5
335	174	—	—	—	—	—	60.0	—	—
222	183	—	—	—	—	—	3.39	—	—
247	183	210	260	112	200	21.5	8.68	8.08	10.4
295	184	240	310	91	225	32	28.1	26.9	29.9

Single direction thrust ball bearings

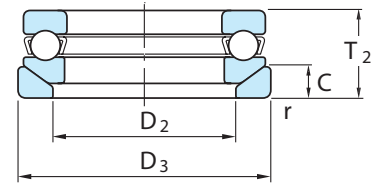
d 180 ~ 360 mm



With flat back faces



With spherical back face



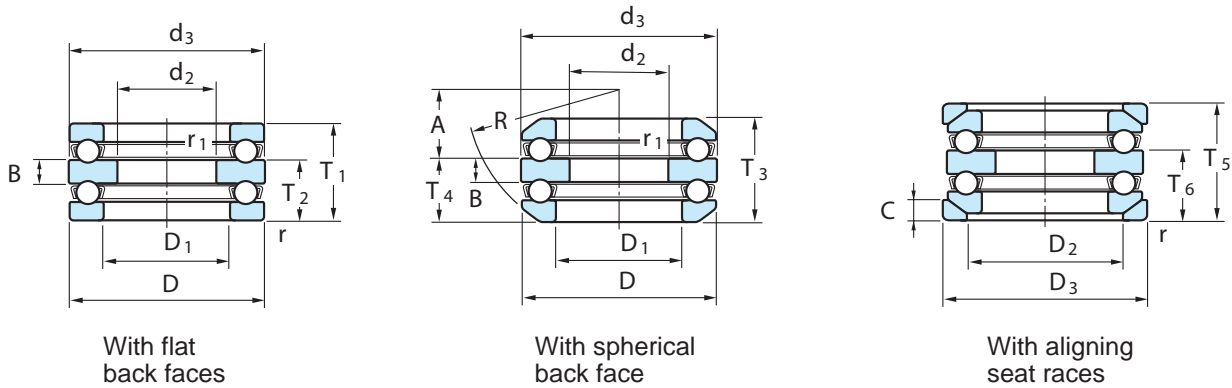
With aligning seat race

Boundary dimensions (mm)						Bearing No.		
d	D	T	T ₁	T ₂	r min.	With flat back faces	With spherical back face	With aligning seat race
180	360	140	—	—	5	51436	—	—
190	240	37	—	—	1.1	51138	—	—
	270	62	65.7	73	2	51238	53238	53238U
	320	105	111	121	4	51338	53338	53338U
200	250	37	—	—	1.1	51140	—	—
	280	62	65.3	74	2	51240	53240	53240U
	340	110	118.4	130	4	51340	53340	53340U
220	270	37	—	—	1.1	51144	—	—
	300	63	65.6	75	2	51244	53244	53244U
240	300	45	—	—	1.5	51148	—	—
	340	78	81.6	92	2.1	51248	53248	53248U
260	320	45	—	—	1.5	51152	—	—
	360	79	82.8	93	2.1	51252	53252	53252U
280	350	53	—	—	1.5	51156	—	—
300	380	62	—	—	2	51160	—	—
	420	95	100.5	112	3	51260	53260	53260U
320	400	63	—	—	2	51164	—	—
	440	95	100.5	112	3	51264	53264	53264U
340	420	64	—	—	2	51168	—	—
	460	96	100.3	113	3	51268	53268	53268U
360	440	65	—	—	2	51172	—	—
	500	110	116.7	130	4	51272	53272	53272U

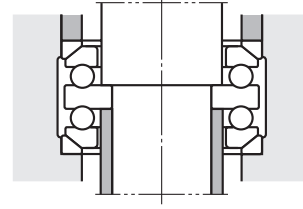
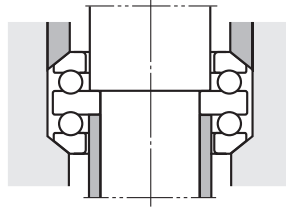
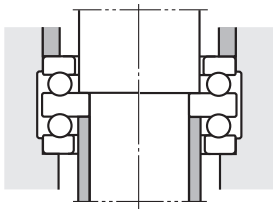
d ₁ max.	D ₁ min.	Dimensions (mm)					(kg)		
		D ₂	D ₃	A	R	C	With flat back faces	With spherical back face	With aligning seat race
355	184	—	—	—	—	—	69.5	—	—
237	193	—	—	—	—	—	3.95	—	—
267	194	230	280	98	200	23	11.7	11.2	13.9
315	195	255	330	104	250	33	36.0	36.3	39.7
247	203	—	—	—	—	—	4.13	—	—
277	204	240	290	125	225	23	12.2	11.6	14.8
335	205	270	350	92	250	38	42.9	42.7	46.7
267	223	—	—	—	—	—	4.50	—	—
297	224	260	310	118	225	25	13.5	12.6	15.9
297	243	—	—	—	—	—	7.38	—	—
335	244	290	350	122	250	30	23.1	20.9	25.6
317	263	—	—	—	—	—	7.93	—	—
355	264	305	370	152	280	30	25.0	22.6	28.5
347	283	—	—	—	—	—	12.0	—	—
376	304	—	—	—	—	—	17.5	—	—
415	304	360	430	164	320	34	42.5	39.5	48.0
396	324	—	—	—	—	—	19.0	—	—
435	325	380	450	157	320	36	45.0	42.0	52.0
416	344	—	—	—	—	—	20.5	—	—
455	345	400	470	199	360	36	48.0	45.0	55.0
436	364	—	—	—	—	—	21.5	—	—
495	365	430	510	172	360	43	70.0	65.0	82.0

Double direction thrust ball bearings

d_2 10 ~ 50 mm



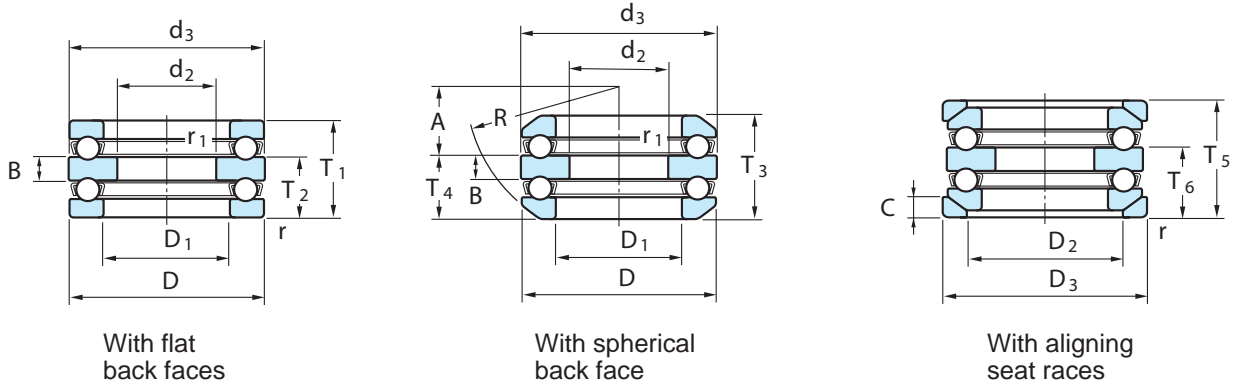
d_2	Boundary dimensions (mm)					Bearing No.			
	D	T_1	T_3	T_5	r min.	r_1 min.	With flat back faces	With spherical back faces	With aligning seat races
10	32	22	24.6	28	0.6	0.3	52202	54202	54202U
15	40	26	27.4	32	0.6	0.3	52204	54204	54204U
	60	45	49.8	55	1	0.6	52405	54405	54405U
20	47	28	31.4	36	0.6	0.3	52205	54205	54205U
	52	34	37.6	42	1	0.3	52305	54305	54305U
	70	52	56.2	62	1	0.6	52406	54406	54406U
25	52	29	32.6	37	0.6	0.3	52206	54206	54206U
	60	38	41.2	46	1	0.3	52306	54306	54306U
	80	59	63	69	1.1	0.6	52407	54407	54407U
30	62	34	37.8	42	1	0.3	52207	54207	54207U
	68	36	38.6	44	1	0.6	52208	54208	54208U
	68	44	47.2	52	1	0.3	52307	54307	54307U
	78	49	54	59	1	0.6	52308	54308	54308U
	90	65	69.4	77	1.1	0.6	52408	54408	54408U
35	73	37	39.6	45	1	0.6	52209	54209	54209U
	85	52	56.2	62	1	0.6	52309	54309	54309U
	100	72	78.8	86	1.1	0.6	52409	54409	54409U
40	78	39	42	47	1	0.6	52210	54210	54210U
	95	58	64.6	70	1.1	0.6	52310	54310	54310U
	110	78	83.2	92	1.5	0.6	52410	54410	54410U
45	90	45	49.6	55	1	0.6	52211	54211	54211U
	105	64	72.6	78	1.1	0.6	52311	54311	54311U
	120	87	92	101	1.5	0.6	52411	54411	54411U
50	95	46	50	56	1	0.6	52212	54212	54212U
	110	64	70.6	78	1.1	0.6	52312	54312	54312U
	130	93	99	107	1.5	0.6	52412	54412	54412U



d ₃ max.	D ₁ min.	D ₂	D ₃	Dimensions (mm)							(kg)	
				T ₂	T ₄	T ₆	A	R	B	C	With flat back faces	With aligning seat races
32	17	24	35	13.5	14.8	16.5	10.5	28	5	4	0.085	0.118
40	22	30	42	16	16.7	19	16	36	6	5	0.150	0.190
60	27	42	62	28	30.4	33	15	50	11	8	0.630	0.804
47	27	36	50	17.5	19.2	21.5	16.5	40	7	5.5	0.230	0.304
52	27	38	55	21	22.8	25	18	45	8	6	0.330	0.428
70	32	50	75	32	34.1	37	16	56	12	9	1.00	1.25
52	32	42	55	18	19.8	22	20	45	7	5.5	0.270	0.346
60	32	45	62	23.5	25.1	27.5	19.5	50	9	7	0.490	0.602
80	37	58	85	36.5	38.5	41.5	18.5	64	14	10	1.44	1.79
62	37	48	65	21	22.9	25	21	50	8	7	0.420	0.544
68	42	55	72	22.5	23.8	26.5	25	56	9	7	0.540	0.680
68	37	52	72	27	28.6	31	21	56	10	7.5	0.710	0.898
78	42	60	82	30.5	33	35.5	23.5	64	12	8.5	1.06	1.34
90	42	65	95	40	42.2	46	22	72	15	12	2.03	2.55
73	47	60	78	23	24.3	27	23	56	9	7.5	0.620	0.784
85	47	65	90	32	34.1	37	21	64	12	10	1.29	1.62
100	47	72	105	44.5	47.9	51.5	23.5	80	17	12.5	2.91	3.42
78	52	62	82	24	25.5	28	30.5	64	9	7.5	0.710	0.890
95	52	72	100	36	39.3	42	23	72	14	11	1.86	2.35
110	52	80	115	48	50.6	55	30	90	18	14	3.56	4.39
90	57	72	95	27.5	29.8	32.5	32.5	72	10	9	1.12	1.44
105	57	80	110	39.5	43.8	46.5	25.5	80	15	11.5	2.51	3.21
120	57	88	125	53.5	56	60.5	22.5	90	20	15.5	4.70	5.62
95	62	78	100	28	30	33	30.5	72	10	9	1.25	1.57
110	62	85	115	39.5	42.8	46.5	36.5	90	15	11.5	2.68	3.37
130	62	95	135	57	60	64	28	100	21	16	6.33	7.60

Double direction thrust ball bearings

d_2 50 ~ 95 mm

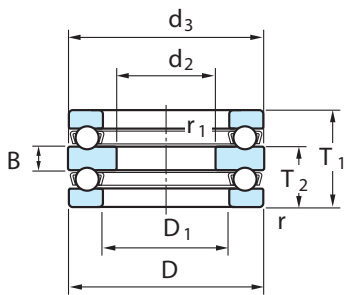


d_2	Boundary dimensions (mm)						Bearing No.		
	D	T_1	T_3	T_5	r min.	r_1 min.	With flat back faces	With spherical back faces	With aligning seat races
50	140	101	109.4	119	2	1	52413	54413	54413U
55	100	47	50.4	57	1	0.6	52213	54213	54213U
	105	47	50.6	57	1	1	52214	54214	54214U
	115	65	71.8	79	1.1	0.6	52313	54313	54313U
	125	72	80.4	88	1.1	1	52314	54314	54314U
	150	107	114.2	125	2	1	52414	54414	54414U
60	110	47	49.6	57	1	1	52215	54215	54215U
	135	79	87.2	95	1.5	1	52315	54315	54315U
	160	115	123	135	2	1	52415	54415	54415U
65	115	48	51	58	1	1	52216	54216	54216U
	140	79	86.2	95	1.5	1	52316	54316	54316U
	170	120	128.4	140	2.1	1	52416	54416	54416U
	180	128	138	150	2.1	1.1	52417	54417	54417U
70	125	55	59.2	67	1	1	52217	54217	54217U
	150	87	95.2	105	1.5	1	52317	54317	54317U
	190	135	143.4	157	2.1	1.1	52418	54418	54418U
75	135	62	69	76	1.1	1	52218	54218	54218U
	155	88	97.2	106	1.5	1	52318	54318	54318U
80	210	150	160	176	3	1.1	52420	54420	54420U
85	150	67	72.8	81	1.1	1	52220	54220	54220U
	170	97	105.4	115	1.5	1	52320	54320	54320U
90	230	166	—	—	3	1.1	52422	—	—
95	160	67	71.4	81	1.1	1	52222	54222	54222U
	190	110	118.4	128	2	1	52322	54322	54322U
	250	177	—	—	4	1.5	52424	—	—

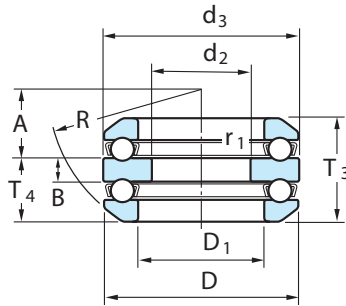
d ₃ max.	D ₁ min.	Dimensions (mm)								(kg)		
		D ₂	D ₃	T ₂	T ₄	T ₆	A	R	B	C	With flat back faces	With aligning seat races
140	68	100	145	62	66.2	71	34	112	23	17.5	8.03	9.72
100	67	82	105	28.5	30.2	33.5	38.5	80	10	9	1.36	1.70
105	72	88	110	28.5	30.3	33.5	36.5	80	10	9	1.48	1.84
115	67	90	120	40	43.4	47	34.5	90	15	12.5	2.90	3.66
125	72	98	130	44	48.2	52	39	100	16	13	3.90	4.78
150	73	110	155	65.5	69.1	74.5	28.5	112	24	19.5	9.71	11.6
110	77	92	115	28.5	29.8	33.5	47.5	90	10	9.5	1.57	1.96
135	77	105	140	48.5	52.6	56.5	32.5	100	18	15	4.83	6.08
160	78	115	165	70.5	74.5	80.5	36.5	125	26	21	11.8	14.3
115	82	98	120	29	30.5	34	45	90	10	10	1.69	2.09
140	82	110	145	48.5	52.1	56.5	45.5	112	18	15	5.06	6.36
170	83	125	175	73.5	77.7	83.5	30.5	125	27	22	14.0	16.6
179.5	88	130	185	78.5	83.5	89.5	40.5	140	29	23	17.5	19.7
125	88	105	130	33.5	35.6	39.5	49.5	100	12	11	2.34	2.90
150	88	115	155	53	57.1	62	39	112	19	17.5	6.43	8.03
189.5	93	140	195	82.5	86.7	93.5	34.5	140	30	25.5	19.6	22.8
135	93	110	140	38	41.5	45	42	100	14	13.5	3.22	4.07
155	93	120	160	53.5	58.1	62.5	36.5	112	19	18	6.60	8.44
209.5	103	155	220	91.5	96.5	104.5	43.5	160	33	27	26.6	32.0
150	103	125	155	41	43.9	48	49	112	15	14	4.29	5.25
170	103	135	175	59	63.2	68	42	125	21	18	8.90	10.8
229	113	—	—	101.5	—	—	—	—	37	—	34.9	—
160	113	135	165	41	43.2	48	62	125	15	14	4.68	5.66
189.5	113	150	195	67	71.2	76	47	140	24	20.5	13.8	16.3
249	123	—	—	108.5	—	—	—	—	40	—	44.2	—

Double direction thrust ball bearings

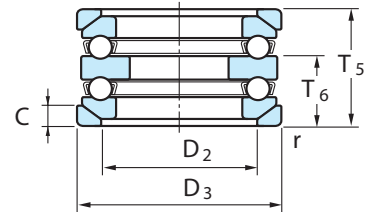
d_2 100 ~ 190 mm



With flat back faces



With spherical back face



With aligning seat races

Boundary dimensions (mm)							Bearing No.		
d_2	D	T_1	T_3	T_5	r min.	r_1 min.	With flat back faces	With spherical back faces	With aligning seat races
100	170	68	71.6	82	1.1	1.1	52224	54224	54224U
	210	123	131.2	143	2.1	1.1	52324	54324	54324U
	270	192	—	—	4	2	52426	—	—
110	190	80	85.8	96	1.5	1.1	52226	54226	54226U
	225	130	—	—	2.1	1.1	52326	—	—
	280	196	—	—	4	2	52428	—	—
120	200	81	86.2	99	1.5	1.1	52228	54228	54228U
	240	140	—	—	2.1	1.1	52328	—	—
	300	209	—	—	4	2	52430	—	—
130	215	89	95.6	109	1.5	1.1	52230	54230	54230U
	250	140	—	—	2.1	1.1	52330	—	—
	320	226	—	—	5	2	52432	—	—
135	340	236	—	—	5	2.1	52434	—	—
140	225	90	97.4	110	1.5	1.1	52232	54232	54232U
	270	153	—	—	3	1.1	52332	—	—
	360	245	—	—	5	3	52436	—	—
150	240	97	104.4	117	1.5	1.1	52234	54234	54234U
	250	98	102.4	118	1.5	2	52236	54236	54236U
	280	153	—	—	3	1.1	52334	—	—
	300	165	—	—	3	2	52336	—	—
160	270	109	116.4	131	2	2	52238	54238	54238U
	320	183	—	—	4	2	52338	—	—
170	280	109	115.6	133	2	2	52240	54240	54240U
	340	192	—	—	4	2	52340	—	—
190	300	110	115.2	134	2	2	52244	54244	54244U

d ₃ max.	D ₁ min.	Dimensions (mm)									(kg)	
		D ₂	D ₃	T ₂	T ₄	T ₆	A	R	B	C	With flat back faces	With aligning seat races
170	123	145	175	41.5	43.3	48.5	58.5	125	15	15	5.24	6.44
209.5	123	165	220	75	79.1	85	58	160	27	22	17.2	22.9
269	134	—	—	117	—	—	—	—	42	—	56.5	—
189.5	133	160	195	49	51.9	57	63	140	18	17	7.72	9.29
224	134	—	—	80	—	—	—	—	30	—	22.1	—
279	144	—	—	120	—	—	—	—	44	—	60.6	—
199.5	143	170	210	49.5	52.1	58.5	83.5	160	18	17	8.31	10.5
239	144	—	—	85.5	—	—	—	—	31	—	27.8	—
299	154	—	—	127.5	—	—	—	—	46	—	73.9	—
214.5	153	180	225	54.5	57.8	64.5	74.5	160	20	20.5	10.6	13.6
249	154	—	—	85.5	—	—	—	—	31	—	29.2	—
319	164	—	—	138	—	—	—	—	50	—	90.3	—
339	174	—	—	143	—	—	—	—	50	—	108	—
224.5	163	190	235	55	58.7	65	70	160	20	21	12.2	14.6
269	164	—	—	93	—	—	—	—	33	—	37.7	—
359	184	—	—	148.5	—	—	—	—	52	—	126	—
239.5	173	200	250	59	62.7	69	87	180	21	21.5	15.2	17.8
249	183	210	260	59.5	61.7	69.5	108.5	200	21	21.5	15.9	19.6
279	174	—	—	93	—	—	—	—	33	—	39.6	—
299	184	—	—	101	—	—	—	—	37	—	50.9	—
269	194	220	280	66.5	70.2	77.5	93.5	200	24	23	21.6	25.2
319	195	—	—	111.5	—	—	—	—	40	—	64.9	—
279	204	240	290	66.5	69.8	78.5	120.5	225	24	23	22.7	27.3
339	205	—	—	117	—	—	—	—	42	—	77.8	—
299	224	260	310	67	69.6	79	114	225	24	25	23.9	29.5



Stainless steel bearings

STAINLESS STEEL BEARINGS

Part Name	Material				
Bearing Rings	AISI440C	AISI420C	AISI440B	AISI304	AISI316
Balls	AISI440C	AISI420C	AISI440		AISI316
Retainer	AISI304	AISI304	Nylon/PA6.6		
Shield	AISI304	AISI304			

Material	C%	Cr%	Si%	Mn%	S%	P%	Mo%	Ni%
AISI440C	0.90-1.05	17-19	≤ 0.8	≤ 0.7	≤ 0.03	≤ 0.035		
AISI440B	0.75-0.90	17-19	≤ 0.8	≤ 0.8	≤ 0.03	≤ 0.035	1-1.3	
AISI304(304L)	0.08(0.03)	18-20	≤ 1.0	≤ 2.0	≤ 0.03	≤ 0.035		8-10.5(9-13)
AISI316(316L)	0.08(0.03)	16-18	≤ 1.0	≤ 2.0	≤ 0.03	≤ 0.035	2-3	10-14

Grease

Mobil FM 221 / 222 (Food grease H1 classified) Kyodo Multemp SRL (only for miniatur bearings)

stainless steel deep groove ball bearings, greased with Mobil FM 221/222 (Food grease H1 classified)

SS 6000 SS 6200 SS 6300 SS 6800 SS 6900

stainless steel miniatur deep groove ball bearings, greased with Kyodo Multemp SRL (Food grease H1 classified)

600 F600 MR MF

stainless steel self-aligning ball bearings, greased with Mobil FM 221/222 (Food grease H1 classified)

SS 1200 SS 2200

stainless steel double-row angular contact ball bearings, greased with Mobil FM 221/222 (Food grease H1 classified)

SS 3200 SS 3300

stainless steel thrust ball bearings

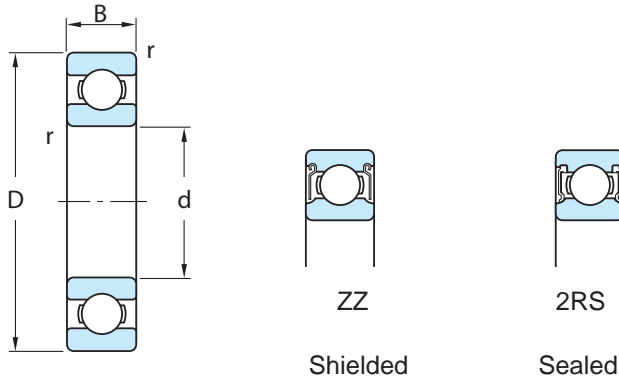
SS 51100 SS 51200

stainless steel miniatur thrust ball bearings

SS F SS BA

Single-row deep groove ball bearings in stainless steel (AISI 440 C / 420 C)

d 10 ~ 20 mm



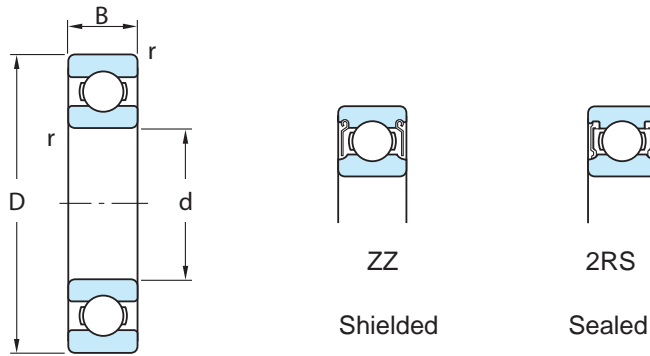
Boundary dimensions (mm)				Bearing No.			(kg)
d	D	B	r min.				
10	19	5	0.3	SS6800	SS6800 ZZ	SS6800 2RS	0.005
	22	6	0.3	SS6900	SS6900 ZZ	SS6900 2RS	0.010
	26	8	0.3	SS6000	SS6000 ZZ	SS6000 2RS	0.019
	30	9	0.6	SS6200	SS6200 ZZ	SS6200 2RS	0.032
	35	11	0.6	SS6300	SS6300 ZZ	SS6300 2RS	0.053
12	21	5	0.3	SS6801	SS6801 ZZ	SS6801 2RS	0.006
	24	6	0.3	SS6901	SS6901 ZZ	SS6901 2RS	0.011
	28	7	0.3	SS16001	-	-	0.024
	28	8	0.3	SS6001	SS6001 ZZ	SS6001 2RS	0.022
	32	10	0.6	SS6201	SS6201 ZZ	SS6201 2RS	0.037
	37	12	1	SS6301	SS6301 ZZ	SS6301 2RS	0.060
15	24	5	0.3	SS6802	SS6802 ZZ	SS6802 2RS	0.007
	28	7	0.3	SS6902	SS6902 ZZ	SS6902 2RS	0.017
	32	8	0.3	SS16002	SS16002 ZZ	SS16002 2RS	0.025
	32	9	0.3	SS6002	SS6002 ZZ	SS6002 2RS	0.030
	35	11	0.6	SS6202	SS6202 ZZ	SS6202 2RS	0.045
	42	13	1	SS6302	SS6302 ZZ	SS6302 2RS	0.082
17	26	5	0.3	SS6803	SS6803 ZZ	SS6803 2RS	0.008
	30	7	0.3	SS6903	SS6903 ZZ	SS6903 2RS	0.018
	35	8	0.3	SS16003	SS16003 ZZ	SS16003 2RS	0.032
	35	10	0.3	SS6003	SS6003 ZZ	SS6003 2RS	0.039
	40	12	0.6	SS6203	SS6203 ZZ	SS6203 2RS	0.065
	47	14	1	SS6303	SS6303 ZZ	SS6303 2RS	0.115
20	32	7	0.3	SS6804	SS6804 ZZ	SS6804 2RS	0.018
	37	9	0.3	SS6904	SS6904 ZZ	SS6904 2RS	0.036
	42	8	0.3	SS16004	SS16004 ZZ	SS16004 2RS	0.050

d 20 ~ 40 mm

Boundary dimensions (mm)				Bearing No.			(kg)
d	D	B	r min.				
20	42	12	0.6	SS6004	SS6004 ZZ	SS6004 2RS	0.069
	47	14	1	SS6204	SS6204 ZZ	SS6204 2RS	0.106
	52	15	1.1	SS6304	SS6304 ZZ	SS6304 2RS	0.144
25	37	7	0.3	SS6805	SS6805 ZZ	SS6805 2RS	0.022
	42	9	0.3	SS6905	SS6905 ZZ	SS6905 2RS	0.041
	47	8	0.3	SS16005	SS16005 ZZ	1SS6005 2RS	0.060
	47	12	0.6	SS6005	SS6005 ZZ	SS6005 2RS	0.080
	52	15	1	SS6205	SS6205 ZZ	SS6205 2RS	0.128
	62	17	1.1	SS6305	SS6305 ZZ	SS6305 2RS	0.232
30	42	7	0.3	SS6806	SS6806 ZZ	SS6806 2RS	0.026
	47	9	0.3	SS6906	SS6906 ZZ	SS6906 2RS	0.045
	55	9	0.3	SS16006	SS16006 ZZ	SS16006 2RS	0.085
	55	13	1	SS6006	SS6006 ZZ	SS6006 2RS	0.116
	62	16	1	SS6206	SS6206 ZZ	SS6206 2RS	0.199
	72	19	1.1	SS6306	SS6306 ZZ	SS6306 2RS	0.346
35	47	7	0.3	SS6807	SS6807 ZZ	SS6807 2RS	0.030
	55	10	0.6	SS6907	SS6907 ZZ	SS6907 2RS	0.073
	62	9	0.3	SS16007	SS16007 ZZ	SS16007 2RS	0.110
	62	14	1	SS6007	SS6007 ZZ	SS6007 2RS	0.155
	72	17	1.1	SS6207	SS6207 ZZ	SS6207 2RS	0.288
	80	21	1.5	SS6307	SS6307 ZZ	SS6307 2RS	0.457
40	52	7	0.3	SS6808	SS6808 ZZ	SS6808 2RS	0.033
	62	12	0.6	SS6908	SS6908 ZZ	SS6908 2RS	0.112
	68	9	0.3	SS16008	SS16008 ZZ	SS16008 2RS	0.125
	68	15	1	SS6008	SS6008 ZZ	SS6008 2RS	0.192
	80	18	1.1	SS6208	SS6208 ZZ	SS6208 2RS	0.366
	90	23	1.5	SS6308	SS6308 ZZ	SS6308 2RS	0.633

Single-row deep groove ball bearings stainless steel (AISI 440 C / 420 C)

d 45 ~ 65 mm



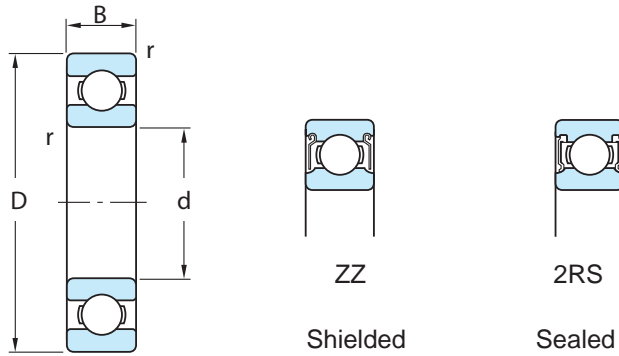
Boundary dimensions (mm)				Bearing No.			(kg)
d	D	B	r min.				
45	58	7	0.3	SS6809	SS6809 ZZ	SS6809 2RS	0.040
	68	12	0.6	SS6909	SS6909 ZZ	SS6909 2RS	0.132
	75	10	0.6	SS16009	SS16009 ZZ	SS16009 2RS	0.170
	75	16	1	SS6009	SS6009 ZZ	SS6009 2RS	0.245
	85	19	1.1	SS6209	SS6209 ZZ	SS6209 2RS	0.407
	100	25	1.5	SS6309	SS6309 ZZ	SS6309 2RS	0.833
50	65	7	0.3	SS6810	SS6810 ZZ	SS6810 2RS	0.052
	72	12	0.6	SS6910	SS6910 ZZ	SS6910 2RS	0.133
	80	10	0.6	SS16010	SS16010 ZZ	SS16010 2RS	0.180
	80	16	1	SS6010	SS6010 ZZ	SS6010 2RS	0.261
	90	20	1.1	SS6210	SS6210 ZZ	SS6210 2RS	0.463
	110	27	2	SS6310	SS6310 ZZ	SS6310 2RS	1.07
55	72	9	0.3	SS6811	SS6811 ZZ	SS6811 2RS	0.083
	80	13	1	SS6911	SS6911 ZZ	SS6911 2RS	0.185
	90	11	0.6	SS16011	-	-	0.260
	90	18	1.1	SS6011	SS6011 ZZ	SS6011 2RS	0.385
	100	21	1.5	SS6211	SS6211 ZZ	SS6211 2RS	0.607
	120	29	2	SS6311	SS6311 ZZ	SS6311 2RS	1.37
60	78	10	0.3	SS6812	SS6812 ZZ	SS6812 2RS	0.104
	85	13	1	SS6912	SS6912 ZZ	SS6912 2RS	0.192
	95	11	0.6	SS16012	-	-	0.280
	95	18	1.1	SS6012	SS6012 ZZ	SS6012 2RS	0.415
	110	22	1.5	SS6212	SS6212 ZZ	SS6212 2RS	0.783
	130	31	2.1	SS6312	SS6312 ZZ	SS6312 2RS	1.70
65	85	10	0.6	SS6813	SS6813 ZZ	SS6813 2RS	0.126
	90	13	1	SS6913	SS6913 ZZ	SS6913 2RS	0.211
	100	11	0.6	SS16013	-	-	0.300
	100	18	1.1	SS6013	SS6013 ZZ	SS6013 2RS	0.435
	120	23	1.5	SS6213	SS6213 ZZ	SS6213 2RS	0.990
	140	33	2.1	SS6313	SS6313 ZZ	SS6313 2RS	2.08

d 70 ~ 90 mm

Boundary dimensions (mm)				Bearing No.			(kg)
d	D	B	r min.				
70	90	10	0.6	SS6814	SS6814 ZZ	SS6814 2RS	0.134
	100	16	1	SS6914	SS6914 ZZ	SS6914 2RS	0.342
	110	13	0.6	SS16014	-	-	0.433
	110	20	1.1	SS6014	SS6014 ZZ	SS6014 2RS	0.602
	125	24	1.5	SS6214	SS6214 ZZ	SS6214 2RS	1.07
	150	35	2.1	SS6314	SS6314 ZZ	SS6314 2RS	2.52
75	95	10	0.6	SS6815	SS6815 ZZ	SS6815 2RS	0.142
	105	16	1	SS6915	SS6915 ZZ	SS6915 2RS	0.363
	115	13	0.6	SS16015	-	-	0.457
	115	20	1.	SS6015	SS6015 ZZ	SS6015 2RS	0.638
	130	25	1.5	SS6215	SS6215 ZZ	SS6215 2RS	1.18
	160	37	2.1	SS6315	SS6315 ZZ	SS6315 2RS	3.02
80	100	10	0.6	SS6816	SS6816 ZZ	SS6816 2RS	0.150
	110	16	1	SS6916	SS6916 ZZ	SS6916 2RS	0.382
	125	14	0.6	SS16016	-	-	0.597
	125	22	1.1	SS6016	SS6016 ZZ	SS6016 2RS	0.850
	140	26	2	SS6216	SS6216 ZZ	SS6216 2RS	1.40
	170	39	2.1	SS6316	SS6316 ZZ	SS6316 2RS	3.59
85	110	13	1	SS6817	SS6817 ZZ	SS6817 2RS	0.266
	120	18	1.1	SS6917	SS6917 ZZ	SS6917 2RS	0.535
	130	14	0.6	SS16017	-	-	0.626
	130	22	1.1	SS6017	SS6017 ZZ	SS6017 2RS	0.890
	150	28	2	SS6217	SS6217 ZZ	SS6217 2RS	1.79
	180	41	3	SS6317	SS6317 ZZ	SS6317 2RS	4.23
90	115	13	1	SS6818	SS6818 ZZ	SS6818 2RS	0.279
	125	18	1.1	SS6918	SS6918 ZZ	SS6918 2RS	0.565
	140	16	1	SS16018	-	-	0.848
	140	24	1.5	SS6018	SS6018 ZZ	SS6018 2RS	1.16
	160	30	2	SS6218	SS6218 ZZ	SS6218 2RS	2.15
	190	43	3	SS6318	SS6318 ZZ	SS6318 2RS	4.91

Single-row deep groove ball bearings in stainless steel (AISI 440 C / 420 C)

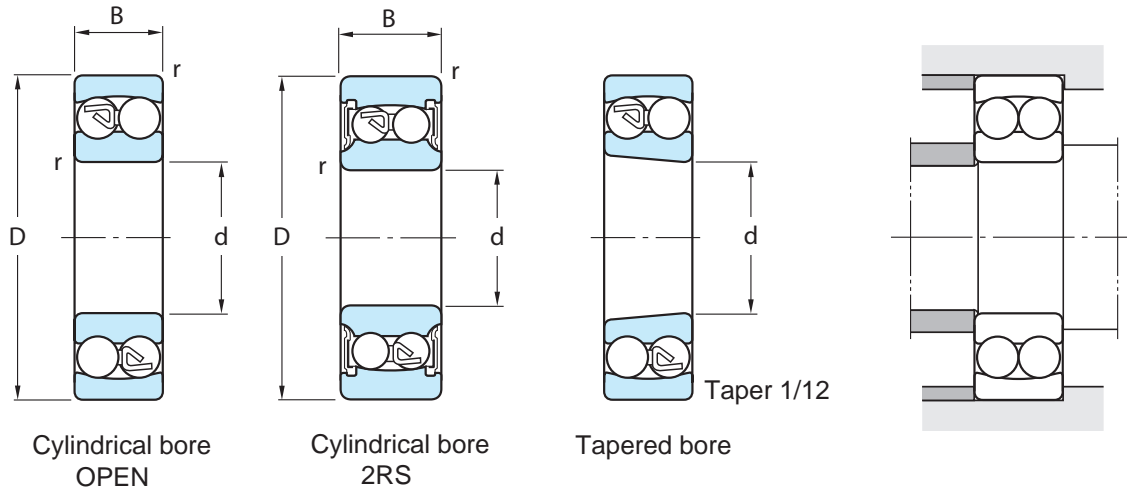
d 95 ~ 120 mm



Boundary dimensions (mm)				Bearing No.			(kg)
d	D	B	r min.				
95	130	18	1.1	SS6919	SS6919 ZZ	SS6919 2RS	0.705
	145	16	1	SS16019	-	-	0.885
	145	24	1.5	SS6019	SS6019 ZZ	SS6019 2RS	1.21
	170	32	2.1	SS6219	SS6219 ZZ	SS6219 2RS	2.62
	200	45	3	SS6319	SS6319 ZZ	SS6319 2RS	5.67
100	125	13	1	SS6820	SS6820 ZZ	SS6820 2RS	0.309
	140	20	1.1	SS6920	SS6920 ZZ	SS6920 2RS	0.960
	150	16	1	SS16020	-	-	0.910
	150	24	1.5	SS6020	SS6020 ZZ	SS6020 2RS	1.25
	180	34	2.1	SS6220	SS6220 ZZ	SS6220 2RS	3.14
	215	47	3	SS6320	SS6320 ZZ	SS6320 2RS	7.00
105	145	20	1.1	SS6921	SS6921 ZZ	SS6921 2RS	1.00
	160	18	1	SS16021	-	-	1.20
	160	26	2	SS6021	SS6021 ZZ	SS6021 2RS	1.59
	190	36	2.1	SS6221	SS6221 ZZ	SS6221 2RS	3.70
	225	49	3	SS6321	SS6321 ZZ	SS6321 2RS	8.05
110	140	16	1	SS6822	SS6822 ZZ	SS6822 2RS	0.606
	150	20	1.1	SS6922	SS6922 ZZ	SS6922 2RS	1.04
	170	19	1	SS16022	-	-	1.46
	170	28	2	SS6022	SS6022 ZZ	SS6022 2RS	1.96
	200	38	2.1	SS6222	SS6222 ZZ	SS6222 2RS	4.36
	240	50	3	SS6322	SS6322 ZZ	SS6322 2RS	9.54
120	150	16	1	SS6824	SS6824 ZZ	SS6824 2RS	0.655
	165	22	1.1	SS6924	SS6924 ZZ	SS6924 2RS	1.41
	180	19	1	SS16024	-	-	1.80
	180	28	2	SS6024	SS6024 ZZ	SS6024 2RS	2.07

Self-aligning ball bearings in stainless steel (AISI 440 C / 420 C)

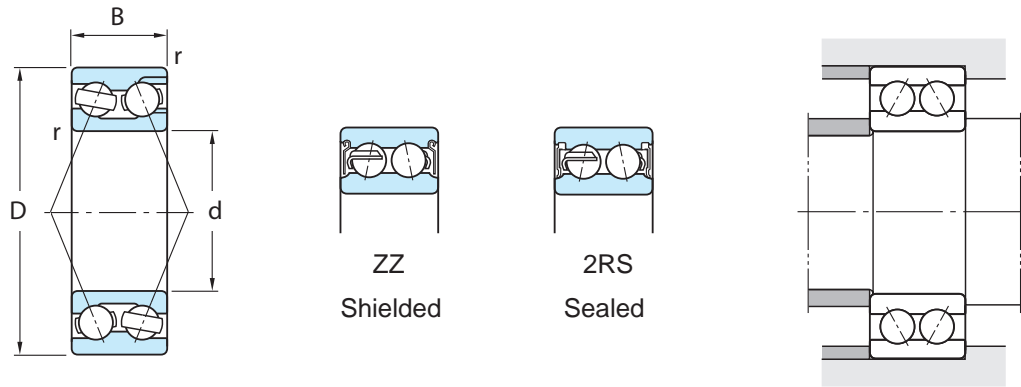
d 10 ~ 50 mm



Boundary dimensions (mm)				Bearing No.			(kg)	
d	D	B	r min.	Cylindrical bore	Tapered bore	Saled	Cylindrical bore	Tapered bore
10	30	9	0.6	SS 1200	—	—	0.034	—
	30	14	0.6	SS 2200	—	SS 2200 2RS	0.047	—
12	32	10	0.6	SS 1201	—	—	0.040	—
	32	14	0.6	SS 2201	—	SS 2201 2RS	0.053	—
15	35	11	0.6	SS 1202	—	—	0.049	—
	35	14	0.6	SS 2202	—	SS 2202 2RS	0.060	—
17	40	12	0.6	SS 1203	—	—	0.073	—
	40	16	0.6	SS 2203	—	SS 2203 2RS	0.088	—
20	47	14	1	SS 1204	1204K	—	0.120	0.118
	47	18	1	SS 2204	2204K	SS 2204 2RS	0.140	0.136
25	52	15	1	SS 1205	1205K	—	0.141	0.138
	52	18	1	SS 2205	2205K	SS 2205 2RS	0.163	0.158
30	62	16	1	SS 1206	1206K	—	0.220	0.216
	62	20	1	SS 2206	2206K	SS 2206 2RS	0.260	0.254
35	72	17	1.1	SS 1207	1207K	—	0.323	0.317
	72	23	1.1	SS 2207	2207K	SS 2207 2RS	0.403	0.396
40	80	18	1.1	SS 1208	1208K	—	0.417	0.411
	80	23	1.1	SS 2208	2208K	SS 2208 2RS	0.505	0.494
45	85	19	1.1	SS 1209	1209K	—	0.465	0.459
	85	23	1.1	SS 2209	2209K	SS 2209 2RS	0.545	0.533
50	90	20	1.1	SS 1210	1210K	—	0.525	0.515
	90	23	1.1	SS 2210	2210K	SS 2210 2RS	0.590	0.577

Double-row angular contact ball bearings in stainless steel (AISI 440 C / 420 C)

d 10 ~ 50 mm

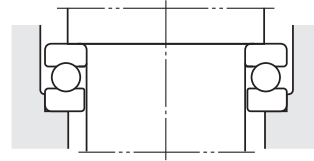
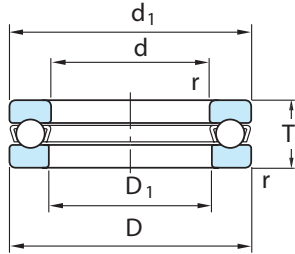


SS 32, SS 33 series

Boundary dimensions (mm)				Bearing No.			
d	D	B	r min.	Open	Shielded	Sealed	(kg)
10	30	14.3	0.6	SS 3200	SS 3200 ZZ	SS 3200 2RS	0.052
12	32	15.9	0.6	SS 3201	SS 3201 ZZ	SS 3201 2RS	0.063
15	35	15.9	0.6	SS 3202	SS 3202 ZZ	SS 3202 2RS	0.072
	42	19	1	SS 3302	SS 3302 ZZ	SS 3302 2RS	0.132
17	40	17.5	0.6	SS 3203	SS 3203 ZZ	SS 3203 2RS	0.091
	47	22.2	1	SS 3303	SS 3303 ZZ	SS 3303 2RS	0.192
20	47	20.6	1	SS 3204	SS 3204 ZZ	SS 3204 2RS	0.120
	52	22.2	1.1	SS 3304	SS 3304 ZZ	SS 3304 2RS	0.230
25	52	20.6	1	SS 3205	SS 3205 ZZ	SS 3205 2RS	0.190
	62	25.4	1.1	SS 3305	SS 3305 ZZ	SS 3305 2RS	0.340
30	62	23.8	1	SS 3206	SS 3206 ZZ	SS 3206 2RS	0.290
	72	30.2	1.1	SS 3306	SS 3306 ZZ	SS 3306 2RS	0.510
35	72	27	1.1	SS 3207	SS 3207 ZZ	SS 3207 2RS	0.430
	80	34.9	1.5	SS 3307	SS 3307 ZZ	SS 3307 2RS	0.790
40	80	30.2	1.1	SS 3208	SS 3208 ZZ	SS 3208 2RS	0.570
	90	36.5	1.5	SS 3308	SS 3308 ZZ	SS 3308 2RS	1.05
45	85	30.2	1.1	SS 3209	SS 3209 ZZ	SS 3209 2RS	0.620
	100	39.7	1.5	SS 3309	SS 3309 ZZ	SS 3309 2RS	1.42
50	90	30.2	1.1	SS 3210	SS 3210 ZZ	SS 3210 2RS	0.670
	110	44.4	2	SS 3310	SS 3310 ZZ	SS 3310 2RS	1.93

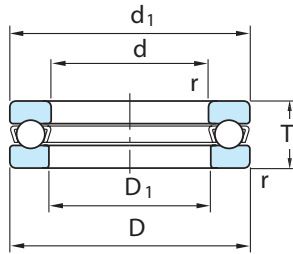
Single direction thrust ball bearings in stainless steel (AISI 440 C / 420 C)

d 10 ~ 50 mm



Boundary dimensions (mm)						Bearing No.	(mm)		(kg)
d	D	T	T ₁	T ₂	r min.		d ₁ max.	D ₁ min.	
10	24	9	—	—	0.3	SS 51100	24	11	0.020
	26	11	11.6	13	0.6	SS 51200	26	12	0.030
12	26	9	—	—	0.3	SS 51101	26	13	0.022
	28	11	11.4	13	0.6	SS 51201	28	14	0.034
15	28	9	—	—	0.3	SS 51102	28	16	0.024
	32	12	13.3	15	0.6	SS 51202	32	17	0.046
17	30	9	—	—	0.3	SS 51103	30	18	0.028
	35	12	13.2	15	0.6	SS 51203	35	19	0.053
20	35	10	—	—	0.3	SS 51104	35	21	0.040
	40	14	14.7	17	0.6	SS 51204	40	22	0.082
25	42	11	—	—	0.6	SS 51105	42	26	0.059
	47	15	16.7	19	0.6	SS 51205	47	27	0.120
30	47	11	—	—	0.6	SS 51106	47	32	0.068
	52	16	17.8	20	0.6	SS 51206	52	32	0.150
35	52	12	—	—	0.6	SS 51107	52	37	0.090
	62	18	19.9	22	1	SS 51207	62	37	0.220
40	60	13	—	—	0.6	SS 51108	60	42	0.120
	68	19	20.3	23	1	SS 51208	68	42	0.270
45	65	14	—	—	0.6	SS 51109	65	47	0.150
	73	20	21.3	24	1	SS 51209	73	47	0.320
50	70	14	—	—	0.6	SS 51110	70	52	0.160
	78	22	23.5	26	1	SS 51210	78	52	0.390

d 55 ~ 100 mm



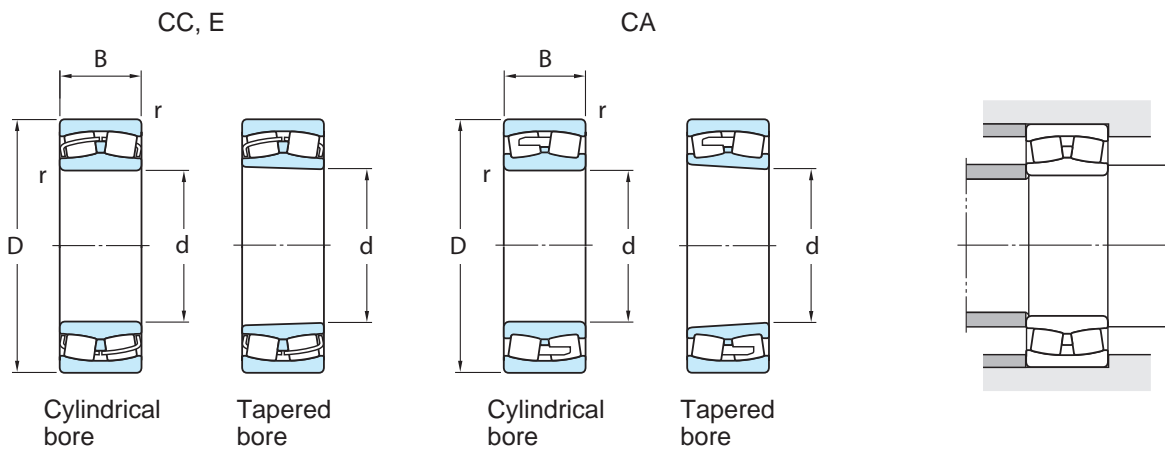
d	Boundary dimensions (mm)					Bearing No.	(mm)		(kg)
	D	T	T ₁	T ₂	r _{min.}		d _{1 max.}	D _{1 min.}	
55	78	16	—	—	0.6	SS 51111	78	57	0.240
	90	25	27.3	30	1	SS 51211	90	57	0.610
60	85	17	—	—	1	SS 51112	85	62	0.290
	95	26	28	31	1	SS 51212	95	62	0.690
65	90	18	—	—	1	SS 51113	90	67	0.340
	100	27	28.7	32	1	SS 51213	100	67	0.770
70	95	18	—	—	1	SS 51114	95	72	0.360
	105	27	28.8	32	1	SS 51214	105	72	0.810
75	100	19	—	—	1	SS 51115	100	77	0.420
	110	27	28.3	32	1	SS 51215	110	77	0.860
80	105	19	—	—	1	SS 51116	105	82	0.430
	115	28	29.5	33	1	SS 51216	115	82	0.95
85	110	19	—	—	1	SS 51117	110	87	0.460
	125	31	33.1	37	1	SS 51217	125	88	1.29
90	120	22	—	—	1	SS 51118	120	92	0.680
	135	35	38.5	42	1.1	SS 51218	135	93	1.77
100	135	25	—	—	1	SS 51120	135	102	0.990
	150	38	40.9	45	1.1	SS 51220	150	103	2.36



Spherical roller bearings

Spherical roller bearings

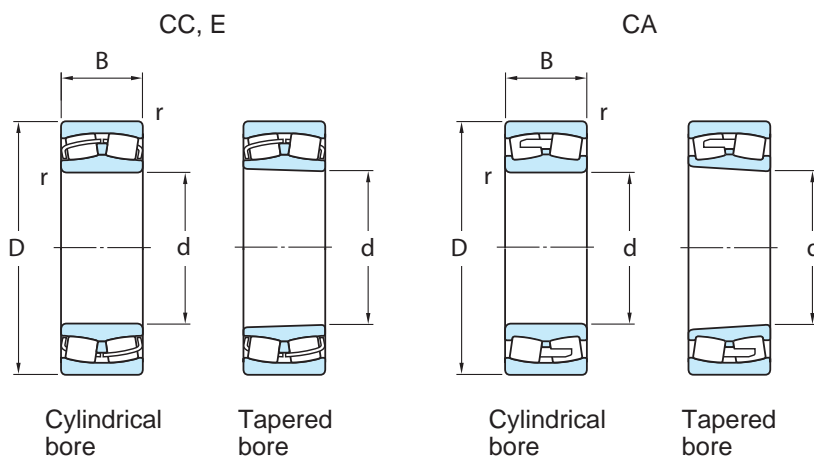
d 25 ~ 70mm



Boundary dimensions (mm)				Bearing No.		(kg)	
d	D	B	r min.	Cylindrical bore	Tapered bore	Cylindrical bore	Tapered bore
25	52	18	1	22205CAW33	22205KCAW33	0.188	0.184
30	62	20	1	22206CAW33	22206KCAW33	0.296	0.290
	72	19	1.1	21306CAW33	21306KCAW33	0.430	0.424
35	72	23	1.1	22207CAW33	22207KCAW33	0.459	0.449
	80	21	1.5	21307CAW33	21307KCAW33	0.572	0.564
40	80	23	1.1	22208CAW33	22208KCAW33	0.602	0.591
	90	23	1.5	21308CAW33	21308KCAW33	0.781	0.770
	90	33	1.5	22308CAW33	22308KCAW33	1.08	1.06
45	85	23	1.1	22209CAW33	22209KCAW33	0.602	0.590
	100	25	1.5	21309CAW33	21309KCAW33	1.05	1.04
	100	36	1.5	22309CAW33	22309KCAW33	1.42	1.39
50	90	23	1.1	22210CAW33	22210KCAW33	0.648	0.634
	110	27	2	21310CAW33	21310KCAW33	1.37	1.35
	110	40	2	22310CAW33	22310KCAW33	1.92	1.88
55	100	25	1.5	22211CAW33	22211KCAW33	0.867	0.849
	120	29	2	21311CAW33	21311KCAW33	1.69	1.67
	120	43	2	22311CAW33	22311KCAW33	2.40	2.35
60	110	28	1.5	22212CAW33	22212KCAW33	1.19	1.17
	130	31	2.1	21312CAW33	21312KCAW33	2.11	2.08
	130	46	2.1	22312CAW33	22312KCAW33	3.06	2.99
65	120	31	1.5	22213CAW33	22213KCAW33	1.55	1.52
	140	33	2.1	21313CAW33	21313KCAW33	2.62	2.58
	140	48	2.1	22313CAW33	22313KCAW33	3.66	3.58
70	125	31	1.5	22214CAW33	22214KCAW33	1.64	1.61
	150	35	2.1	21314CAW33	21314KCAW33	3.19	3.15
	150	51	2.1	22314CAW33	22314KCAW33	4.45	4.36

Spherical roller bearings

d 75 ~ 110 mm

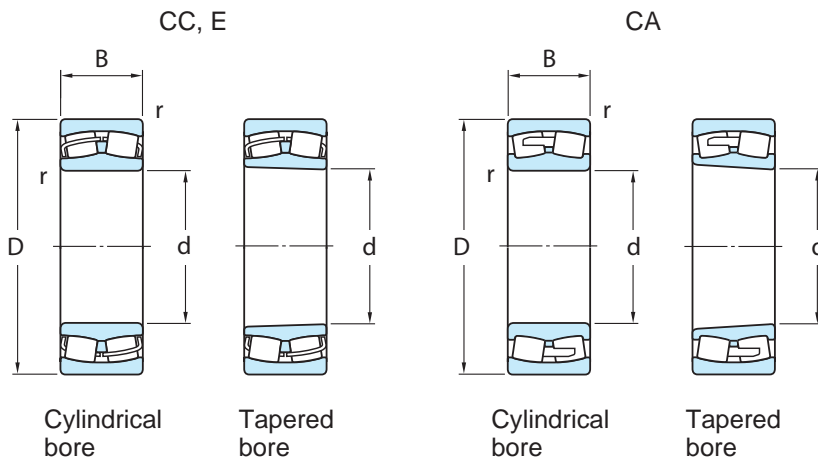


Boundary dimensions (mm)				Bearing No.		(kg)	
d	D	B	r min.	Cylindrical bore	Tapered bore	Cylindrical bore	Tapered bore
75	130	31	1.5	22215CAW33	22215KCAW33	1.73	1.69
	160	37	2.1	21315CAW33	21315KCAW33	3.81	3.76
	160	55	2.1	22315CAW33	22315KCAW33	5.45	5.33
80	140	33	2	22216CAW33	22216KCAW33	2.17	2.13
	170	39	2.1	21316CAW33	21316KCAW33	4.53	4.47
	170	58	2.1	22316CAW33	22316KCAW33	6.44	6.30
85	150	36	2	22217CAW33	22217KCAW33	2.75	2.69
	180	41	3	21317CAW33	21317KCAW33	5.32	5.25
	180	60	3	22317CAW33	22317KCAW33	7.47	7.31
90	160	40	2	22218CAW33	22218KCAW33	3.50	3.43
	160	52.4	2	23218CAW33	23218KCAW33	4.63	4.50
	190	43	3	21318CAW33	21318KCAW33	6.20	6.11
	190	64	3	22318CAW33	22318KCAW33	8.82	8.63
95	170	43	2.1	22219CAW33	22219KCAW33	4.24	4.15
	200	45	3	21319CAW33	21319KCAW33	7.16	7.06
	200	67	3	22319CAW33	22319KCAW33	10.2	9.98
100	150	37	1.5	23020CAW33	23020KCAW33	2.34	2.27
	180	46	2.1	22220CAW33	22220KCAW33	5.11	5.00
	180	60.3	2.1	23220CAW33	23220KCAW33	6.85	6.66
	215	47	3	21320CAW33	21320KCAW33	8.79	8.68
	215	73	3	22320CAW33	22320KCAW33	13.2	12.9
110	170	45	2	23022CAW33	23022KCAW33	3.85	3.74
	180	56	2	23122CAW33	23122KCAW33	5.72	5.54
	180	69	2	24122CAW33	24122K30CAW33	6.98	6.87
	200	53	2.1	22222CAW33	22222KCAW33	7.37	7.21
	200	69.8	2.1	23222CAW33	23222KCAW33	9.76	9.48
	240	50	3	21322CAW33	21322KCAW33	11.8	11.7

All types also available in CC, E and clearance C3

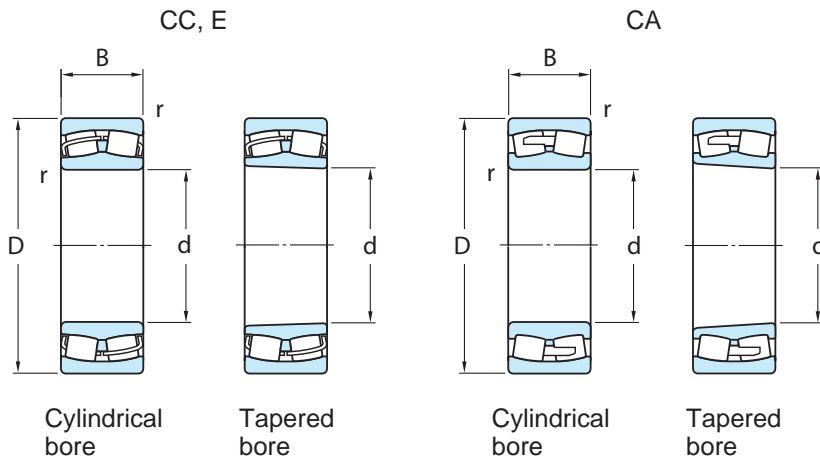
Spherical roller bearings

d 110 ~ 150 mm



Boundary dimensions (mm)				Bearing No.		(kg)	
d	D	B	r min.	Cylindrical bore	Tapered bore	Cylindrical bore	Tapered bore
110	240	80	3	22322CAW33	22322KCAW33	18.1	17.7
120	180	46	2	23024CAW33	23024KCAW33	4.20	4.07
	180	60	2	24024CAW33	24024K30CAW33	5.43	5.34
	200	62	2	23124CAW33	23124KCAW33	7.98	7.74
	200	80	2	24124CAW33	24124K30CAW33	10.2	10.0
	215	58	2.1	22224CAW33	22224KCAW33	9.31	9.10
	215	76	2.1	23224CAW33	23224KCAW33	12.2	11.8
	260	86	3	22324CAW33	22324KCAW33	22.8	22.3
	130	200	52	2	23026CAW33	23026KCAW33	6.15
200		69	2	24026CAW33	24026K30CAW33	8.03	7.90
210		64	2	23126CAW33	23126KCAW33	8.71	8.44
210		80	2	24126CAW33	24126K30CAW33	10.8	10.6
230		64	3	22226CAW33	22226KCAW33	11.6	11.3
230		80	3	23226CAW33	23226KCAW33	14.4	14.0
280		93	4	22326CAW33	22326KCAW33	28.5	27.9
140		210	53	2	23028CAW33	23028KCAW33	6.62
	210	69	2	24028CAW33	24028K30CAW33	8.49	8.35
	225	68	2.1	23128CAW33	23128KCAW33	10.6	10.3
	225	85	2.1	24128CAW33	24128K30CAW33	13.1	12.9
	250	68	3	22228CAW33	22228KCAW33	14.5	14.2
	250	88	3	23228CAW33	23228KCAW33	19.0	18.4
	300	102	4	22328CAW33	22328KCAW33	35.7	34.9
	150	210	45	2	23930CAW33	23930KCAW33	5.09
225		56	2.1	23030CAW33	23030KCAW33	8.01	7.77
225		75	2.1	24030CAW33	24030K30CAW33	10.6	10.4
250		80	2.1	23130CAW33	23130KCAW33	16.4	15.9
250		100	2.1	24130CAW33	24130K30CAW33	19.9	19.6

d 150 ~ 180 mm

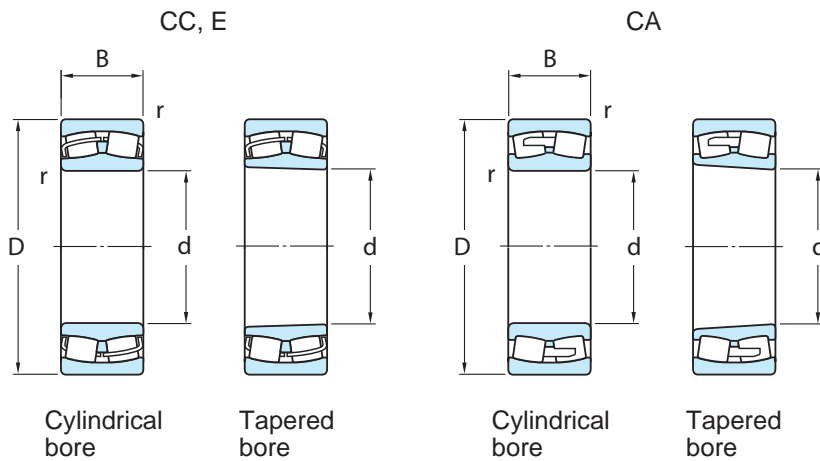


Boundary dimensions (mm)				Bearing No.		(kg)	
d	D	B	r min.	Cylindrical bore	Tapered bore	Cylindrical bore	Tapered bore
150	270	73	3	22230CAW33	22230KCAW33	18.9	18.5
	270	96	3	23230CAW33	23230KCAW33	24.5	23.8
	320	108	4	22330CAW33	22330KCAW33	40.3	39.4
160	220	45	2	23932CAW33	23932KCAW33	5.37	5.20
	240	60	2.1	23032CAW33	23032KCAW33	9.74	9.44
	240	80	2.1	24032CAW33	24032K30CAW33	12.9	12.7
	270	86	2.1	23132CAW33	23132KCAW33	20.8	20.2
	290	80	3	22232CAW33	22232KCAW33	21.9	21.4
	290	104	3	23232CAW33	23232KCAW33	29.4	28.5
	340	114	4	22332CAW33	22332KCAW33	48.0	47.1
170	230	45	2	23934CAW33	23934KCAW33	5.67	5.49
	260	67	2.1	23034CAW33	23034KCAW33	13.2	12.8
	260	90	2.1	24034CAW33	24034K30CAW33	17.5	17.2
	280	88	2.1	23134CAW33	23134KCAW33	21.9	21.2
	280	109	2.1	24134CAW33	24134K30CAW33	27.2	26.8
	310	86	4	22234CAW33	22234KCAW33	27.1	26.5
	310	110	4	23234CAW33	23234KCAW33	35.6	34.6
	360	120	4	22334CAW33	22334KCAW33	57.3	56.1
180	250	52	2	23936CAW33	23936KCAW33	8.22	7.97
	280	74	2.1	23036CAW33	23036KCAW33	17.4	16.9

All types also available in CC, E and clearance C3

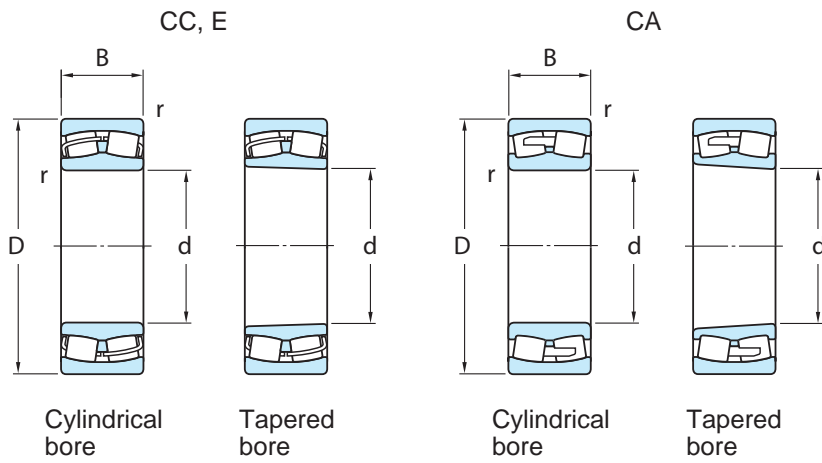
Spherical roller bearings

d 180 ~ 200 mm



Boundary dimensions (mm)				Bearing No.		(kg)	
d	D	B	r _{min.}	Cylindrical bore	Tapered bore	Cylindrical bore	Tapered bore
180	280	100	2.1	24036CAW33	24036K30CAW33	23.4	23.0
	300	96	3	23136CAW33	23136KCAW33	26.5	25.6
	300	118	3	24136CAW33	24136K30CAW33	31.8	31.2
	320	86	4	22236CAW33	22236KCAW33	28.5	27.8
	320	112	4	23236CAW33	23236KCAW33	37.7	36.5
	380	126	4	22336CAW33	22336KCAW33	66.0	64.5
190	260	52	2	23938CAW33	23938KCAW33	8.40	8.10
	290	75	2.1	23038CAW33	23038KCAW33	17.2	16.6
	290	100	2.1	24038CAW33	24038K30CAW33	22.4	22.0
	320	104	3	23138CAW33	23138KCAW33	33.2	32.1
	320	128	3	24138CAW33	24138K30CAW33	40.1	39.5
	340	92	4	22238CAW33	22238KCAW33	34.9	34.1
	340	120	4	23238CAW33	23238KCAW33	44.9	43.5
	400	132	5	22338CAW33	22338KCAW33	77.7	76.0
200	280	60	2.1	23940CAW33	23940KCAW33	12.0	11.6
	310	82	2.1	23040CAW33	23040KCAW33	22.0	21.3

d 200 ~ 240 mm

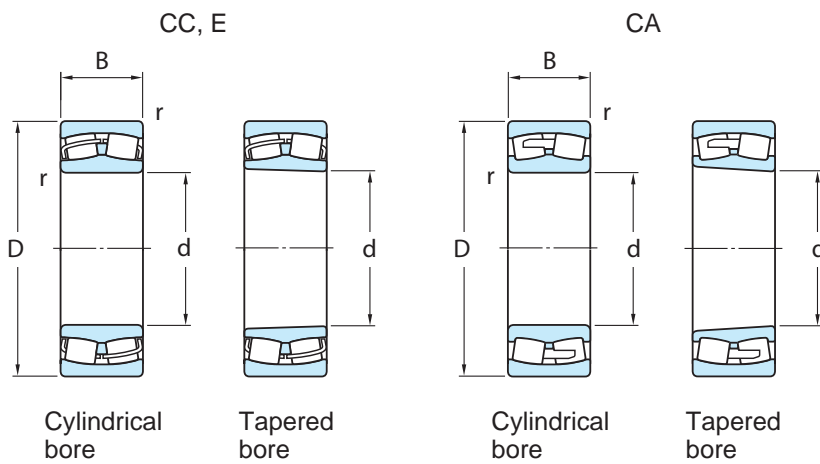


Boundary dimensions (mm)				Bearing No.		(kg)	
d	D	B	r min.	Cylindrical bore	Tapered bore	Cylindrical bore	Tapered bore
200	310	109	2.1	24040CAW33	24040K30CAW33	28.5	28.0
	340	112	3	23140CAW33	23140KCAW33	40.8	39.5
	340	140	3	24140CAW33	24140K30CAW33	49.5	48.7
	360	98	4	22240CAW33	22240KCAW33	42.0	41.0
	360	128	4	23240CAW33	23240KCAW33	55.1	53.4
	420	138	5	22340CAW33	22340KCAW33	88.1	86.2
220	300	60	2.1	23944CAW33	23944KCAW33	13.0	12.6
	340	90	3	23044CAW33	23044KCAW33	28.8	27.9
	340	118	3	24044CAW33	24044K30CAW33	37.0	36.4
	370	120	4	23144CAW33	23144KCAW33	51.2	49.6
	370	150	4	24144CAW33	24144K30CAW33	62.0	61.0
	400	108	4	22244CAW33	22244KCAW33	58.8	57.5
	400	144	4	23244CAW33	23244KCAW33	77.4	75.0
	460	145	5	22344CAW33	22344KCAW33	115	113
240	320	60	2.1	23948CAW33	23948KCAW33	14.0	13.5

All types also available in CC, E and clearance C3

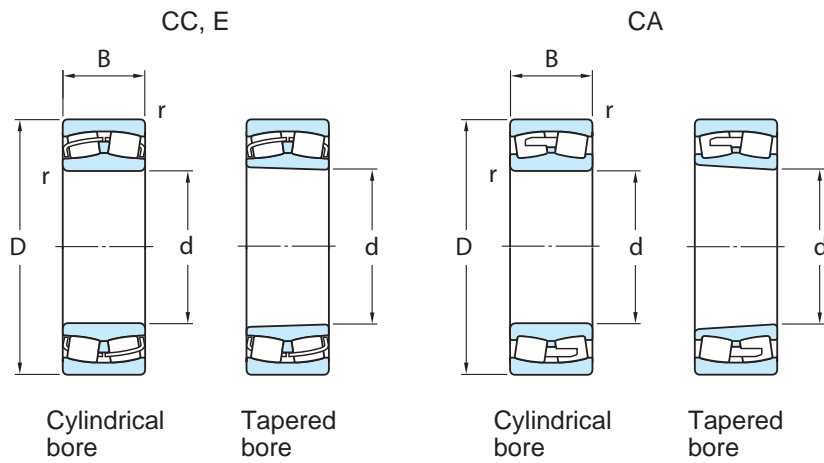
Spherical roller bearings

d 240 ~ 260 mm



Boundary dimensions (mm)				Bearing No.		(kg)	
d	D	B	r _{min.}	Cylindrical bore	Tapered bore	Cylindrical bore	Tapered bore
240	360	92	3	23048CAW33	23048KCAW33	31.9	30.9
	360	118	3	24048CAW33	24048K30CAW33	39.6	39.0
	400	128	4	23148CAW33	23148KCAW33	63.1	61.1
	400	160	4	24148CAW33	24148K30CAW33	76.6	75.3
	440	120	4	22248CAW33	22248KCAW33	79.4	77.6
	440	160	4	23248CAW33	23248KCAW33	104	101
	500	155	5	22348CAW33	22348KCAW33	145	142
260	360	75	2.1	23952CAW33	23952KCAW33	24.0	23.3
	400	104	4	23052CAW33	23052KCAW33	46.3	44.9
	400	140	4	24052CAW33	24052K30CAW33	60.3	59.4
	440	144	4	23152CAW33	23152KCAW33	87.4	84.6
	440	180	4	24152CAW33	24152K30CAW33	106	105
	480	130	5	22252CAW33	22252KCAW33	103	101
	480	174	5	23252CAW33	23252KCAW33	137	133
	540	165	6	22352CAW33	22352KCAW33	181	177

d 280 ~ 300 mm

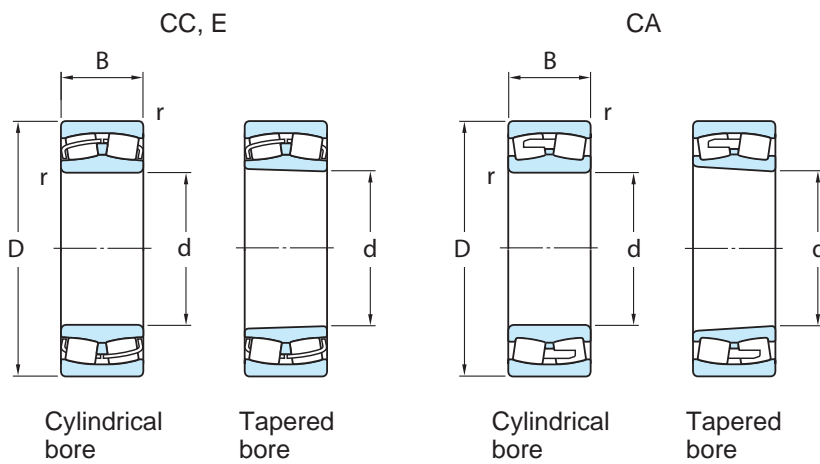


Boundary dimensions (mm)				Bearing No.		(kg)	
d	D	B	r min.	Cylindrical bore	Tapered bore	Cylindrical bore	Tapered bore
280	380	75	2.1	23956CAW33	23956KCAW33	26.0	25.2
	420	106	4	23056CAW33	23056KCAW33	49.8	48.2
	420	140	4	24056CAW33	24056K30CAW33	64.0	62.9
	460	146	5	23156CAW33	23156KCAW33	93.4	90.3
	460	180	5	24156CAW33	24156K30CAW33	113	112
	500	130	5	22256CAW33	22256KCAW33	106	104
	500	176	5	23256CAW33	23256KCAW33	145	141
	580	175	6	22356CAW33	22356KCAW33	212	208
300	420	90	3	23960CAW33	23960KCAW33	40.0	38.8
	460	118	4	23060CAW33	23060KCAW33	68.9	66.8
	460	160	4	24060CAW33	24060K30CAW33	90.7	89.1
	500	160	5	23160CAW33	23160KCAW33	123	119
	500	200	5	24160CAW33	24160K30CAW33	150	148
	540	140	5	22260CAW33	22260KCAW33	135	132
	540	192	5	23260CAW33	23260KCAW33	187	182
	620	185	7.5	22360CAW33	22360KCAW33	289	284

All types also available in CC, E and clearance C3

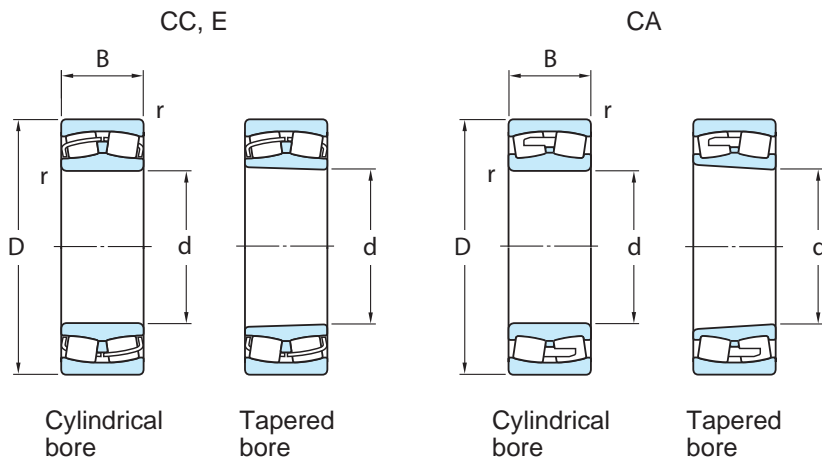
Spherical roller bearings

d 320 ~ 360 mm



Boundary dimensions (mm)				Bearing No.		(kg)	
d	D	B	r min.	Cylindrical bore	Tapered bore	Cylindrical bore	Tapered bore
320	440	90	3	23964CAW33	23964KCAW33	43.0	41.7
	480	121	4	23064CAW33	23064KCAW33	74.5	72.1
	480	160	4	24064CAW33	24064K30CAW33	93.4	91.4
	540	176	5	23164CAW33	23164KCAW33	160	155
	540	218	5	24164CAW33	24164K30CAW33	199	196
	580	150	5	22264CAW33	22264KCAW33	175	171
	580	208	5	23264CAW33	23264KCAW33	236	229
340	460	90	3	23968CAW33	23968KCAW33	45.0	43.6
	520	133	5	23068CAW33	23068KCAW33	98.7	95.7
	520	180	5	24068CAW33	24068K30CAW33	130	128
	580	190	5	23168CAW33	23168KCAW33	202	196
	580	243	5	24168CAW33	24168K30CAW33	259	255
	620	165	6	22268CAW33	22268KCAW33	221	216
	620	224	6	23268CAW33	23268KCAW33	290	281
360	480	90	3	23972CAW33	23972KCAW33	46.5	45.0
	540	134	5	23072CAW33	23072KCAW33	105	101
	540	180	5	24072CAW33	24072K30CAW33	135	133

d 360 ~ 400 mm

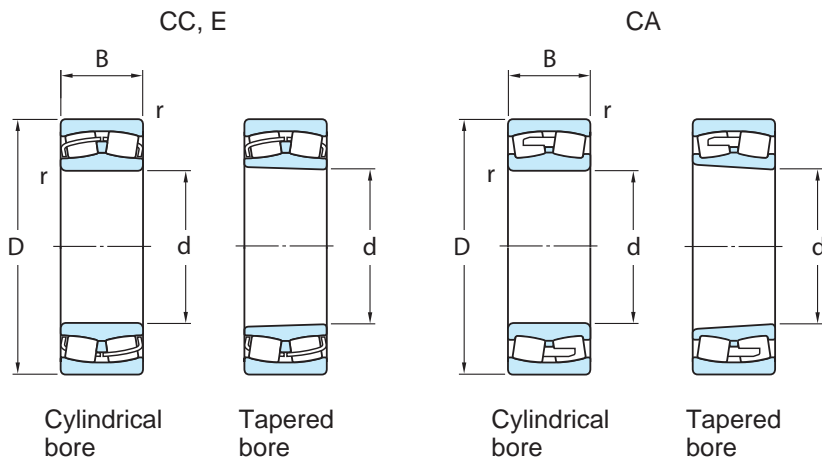


Boundary dimensions (mm)				Bearing No.		(kg)	
d	D	B	r _{min.}	Cylindrical bore	Tapered bore	Cylindrical bore	Tapered bore
360	600	192	5	23172CAW33	23172KCAW33	213	206
	600	243	5	24172CAW33	24172K30CAW33	274	270
	650	170	6	22272CAW33	22272KCAW33	248	243
	650	232	6	23272CAW33	23272KCAW33	328	318
380	520	106	4	23976CAW33	23976KCAW33	70.0	67.9
	560	135	5	23076CAW33	23076KCAW33	112	108
	560	180	5	24076CAW33	24076K30CAW33	42	139
	620	194	5	23176CAW33	23176KCAW33	224	217
	620	243	5	24176CAW33	24176K30CAW33	288	283
	680	240	6	23276CAW33	23276KCAW33	365	354
400	540	106	4	23980CAW33	23980KCAW33	73.0	70.7
	600	148	5	23080CAW33	23080KCAW33	142	138
	600	200	5	24080CAW33	24080K30CAW33	192	189
	650	200	6	23180CAW33	23180KCAW33	255	247
	650	250	6	24180CAW33	24180K30CAW33	322	317

All types also available in CC, E and clearance C3

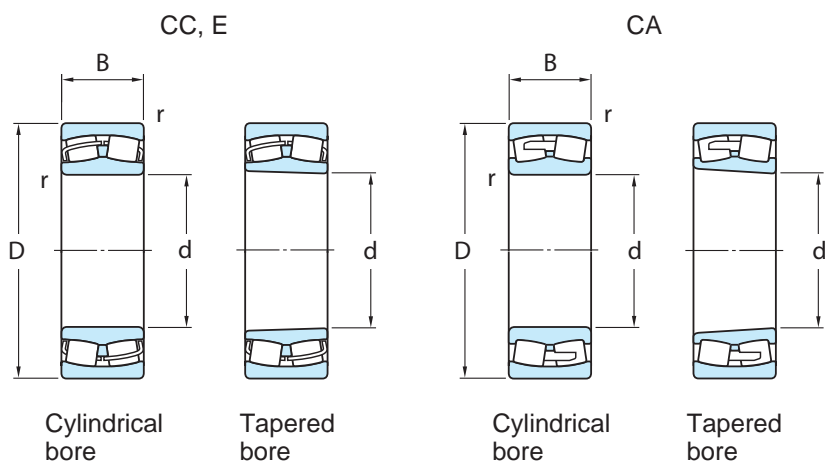
Spherical roller bearings

d 400 ~ 460 mm



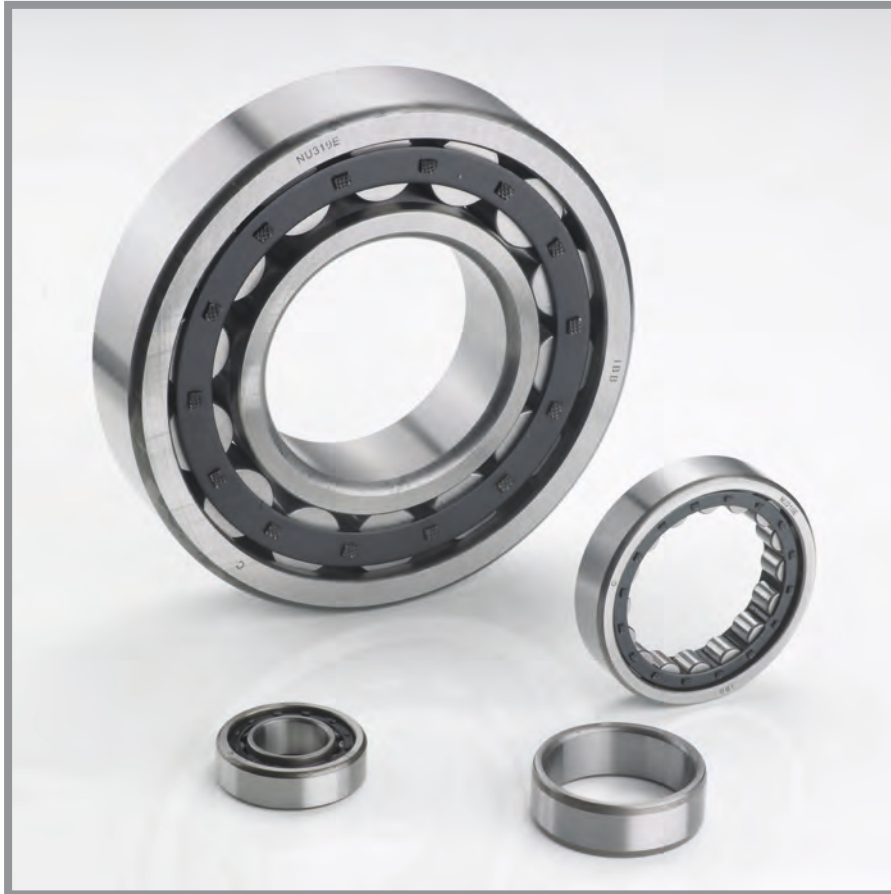
Boundary dimensions (mm)				Bearing No.		(kg)	
d	D	B	r _{min.}	Cylindrical bore	Tapered bore	Cylindrical bore	Tapered bore
400	720	256	6	23280CAW33	23280KCAW33	441	427
420	560	106	4	23984CAW33	23984KCAW33	76.0	73.6
	620	150	5	23084CAW33	23084KCAW33	150	145
	620	200	5	24084CAW33	24084K30CAW33	198	195
	700	224	6	23184CAW33	23184KCAW33	339	328
	700	280	6	24184CAW33	24184K30CAW33	425	418
	760	272	7.5	23284CAW33	23284KCAW33	525	508
440	600	118	4	23988CAW33	23988KCAW33	10	97.8
	650	157	6	23088CAW33	23088KCAW33	172	167
	650	212	6	24088CAW33	24088K30CAW33	231	227
	720	226	6	23188CAW33	23188KCAW33	353	341
	720	280	6	24188CAW33	24188K30CAW33	439	432
	790	280	7.5	23288CAW33	23288KCAW33	580	562
460	620	118	4	23992CAW33	23992KCAW33	107	104
	680	163	6	23092CAW33	23092KCAW33	197	191

d 460 ~ 500 mm



Boundary dimensions (mm)				Bearing No.		(kg)	
d	D	B	r min.	Cylindrical bore	Tapered bore	Cylindrical bore	Tapered bore
460	680	218	6	24092CAW33	24092K30CAW33	259	254
	760	240	7.5	23192CAW33	23192KCAW33	420	406
	760	300	7.5	24192CAW33	24192K30CAW33	525	516
	830	296	7.5	23292CAW33	23292KCAW33	679	658
480	650	128	5	23996CAW33	23996KCAW33	123	119
	700	165	6	23096CAW33	23096KCAW33	206	199
	700	218	6	24096CAW33	24096K30CAW33	268	263
	790	248	7.5	23196CAW33	23196KCAW33	470	455
	790	308	7.5	24196CAW33	24196K30CAW33	580	568
	870	310	7.5	23296CAW33	23296KCAW33	785	761
500	670	128	5	239/500CAW33	239/500KCAW33	131	127
	720	167	6	230/500CAW33	230/500KCAW33	235	228
	720	218	6	240/500CAW33	240/500K30CAW33	297	292
	830	264	7.5	231/500CAW33	231/500KCAW33	595	577
	830	325	7.5	241/500CAW33	241/500K30CAW33	712	701
	920	336	7.5	232/500CAW33	232/500KCAW33	1 020	992

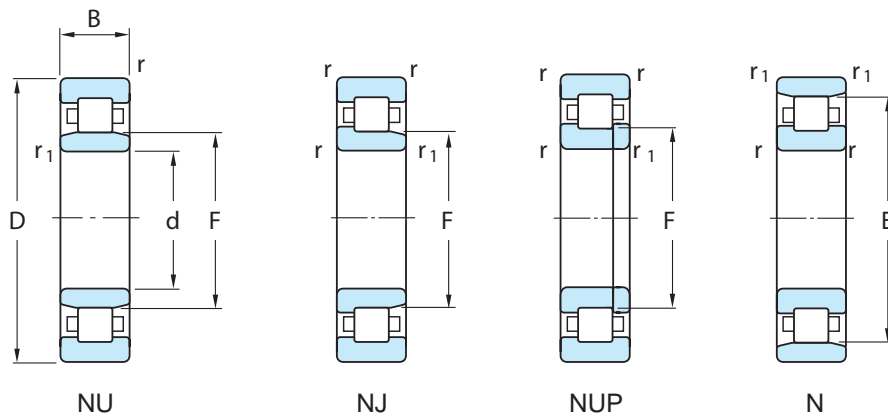
All types also available in CC, E and clearance C3



Cylindrical roller bearings

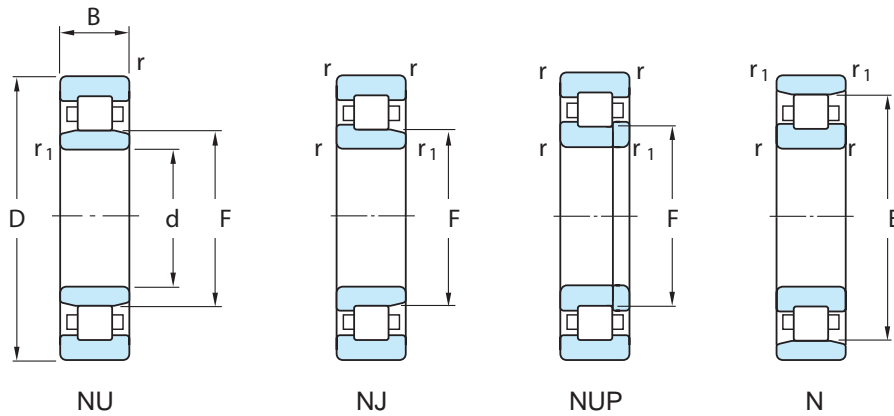
Single-row cylindrical roller bearings

d 20 ~ 30 mm



Boundary dimensions (mm)							Bearing No.				(kg)
d	D	B	r _{min.}	r _{1 min.}	F	E	NU	NJ	NUP	N	
20	47	14	1	0.6	27	40	NU204	NJ204	NUP204	N204	0.108
	47	14	1	0.6	26.5	—	NU204E	NJ204E	NUP204E	—	0.112
	47	18	1	0.6	27	—	NU2204	NJ2204	NUP2204	—	0.146
	47	18	1	0.6	26.5	—	NU2204E	NJ2204E	NUP2204E	—	0.146
	52	15	1.1	0.6	28.5	44.5	NU304	NJ304	NUP304	N304	0.147
	52	15	1.1	0.6	27.5	—	NU304E	NJ304E	NUP304E	—	0.153
	52	21	1.1	0.6	28.5	—	NU2304	NJ2304	NUP2304	—	0.212
	52	21	1.1	0.6	27.5	—	NU2304E	NJ2304E	NUP2304E	—	0.215
25	47	12	0.6	0.3	30.5	—	NU1005	—	NUP1005	—	0.084
	52	15	1	0.6	32	45	NU205	NJ205	NUP205	N205	0.132
	52	15	1	0.6	31.5	—	NU205E	NJ205E	NUP205E	—	0.138
	52	18	1	0.6	32	—	NU2205	NJ2205	NUP2205	—	0.163
	52	18	1	0.6	31.5	—	NU2205E	NJ2205E	NUP2205E	—	0.166
	62	17	1.1	1.1	35	53	NU305	NJ305	NUP305	N305	0.241
	62	17	1.1	1.1	34	—	NU305E	NJ305E	NUP305E	—	0.243
	62	24	1.1	1.1	35	—	NU2305	NJ2305	NUP2305	—	0.340
	62	24	1.1	1.1	34	—	NU2305R	NJ2305R	NUP2305R	—	0.350
30	55	13	1	0.6	36.5	—	NU1006	—	NUP1006	—	0.121
	62	16	1	0.6	38.5	53.5	NU206	NJ206	NUP206	N206	0.200
	62	16	1	0.6	37.5	—	NU206E	NJ206E	NUP206E	—	0.209
	62	20	1	0.6	38.5	—	NU2206	NJ2206	NUP2206	—	0.262
	62	20	1	0.6	37.5	—	NU2206E	NJ2206E	NUP2206E	—	0.262
	62	23.8	1	1	38.5	—	NU3206	—	—	—	0.343
	72	19	1.1	1.1	42	62	NU306	NJ306	NUP306	N306	0.358
	72	19	1.1	1.1	40.5	—	NU306E	NJ306E	NUP306E	—	0.361
	72	27	1.1	1.1	42	—	NU2306	NJ2306	NUP2306	—	0.500
	72	27	1.1	1.1	40.5	—	NU2306E	NJ2306E	NUP2306E	—	0.534

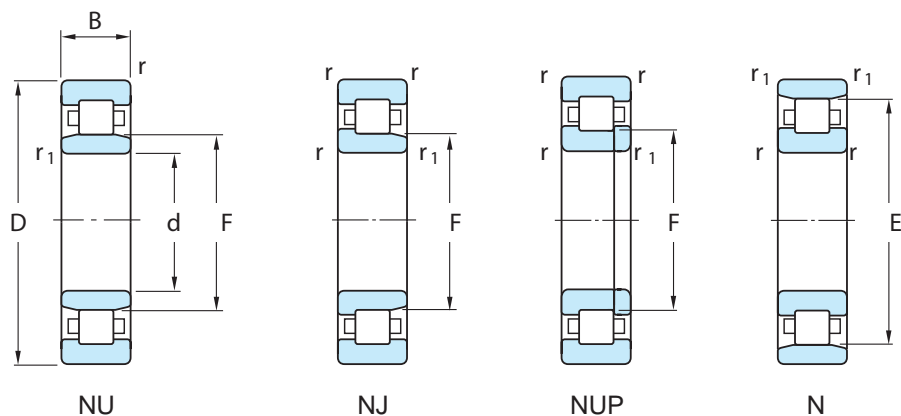
d 30 ~ 45 mm



Boundary dimensions (mm)							Bearing No.				(kg)
d	D	B	r min.	r ₁ min.	F	E	NU	NJ	NUP	N	
30	72	30.2	1.1	1.1	42	—	NU3306	—	—	—	0.650
	90	23	1.5	1.5	45	73	NU406	NJ406	NUP406	N406	0.753
35	62	14	1	0.6	42	—	NU1007	—	NUP1007	—	0.182
	72	17	1.1	0.6	43.8	61.8	NU207	NJ207	NUP207	N207	0.293
	72	17	1.1	0.6	44	—	NU207E	NJ207E	NUP207E	—	0.306
	72	23	1.1	0.6	43.8	—	NU2207	NJ2207	NUP2207	—	0.402
	72	23	1.1	0.6	44	—	NU2207E	NJ2207E	NUP2207E	—	0.404
	72	27	1.1	1.1	43.8	—	NU3207	—	—	—	0.524
	80	21	1.5	1.1	46.2	68.2	NU307	NJ307	NUP307	N307	0.477
	80	21	1.5	1.1	46.2	—	NU307E	NJ307E	NUP307E	—	0.482
	80	31	1.5	1.1	46.2	—	NU2307	NJ2307	NUP2307	—	0.696
	80	31	1.5	1.1	46.2	—	NU2307E	NJ2307E	NUP2307E	—	0.729
	80	34.9	1.5	1.5	46.2	—	NU3307	—	—	—	0.908
40	100	25	1.5	1.5	53	83	NU407	NJ407	NUP407	N407	1.02
	68	15	1	0.6	47	—	NU1008	—	NUP1008	—	0.223
	80	18	1.1	1.1	50	70	NU208	NJ208	NUP208	N208	0.366
	80	18	1.1	1.1	49.5	—	NU208E	NJ208E	NUP208E	—	0.384
	80	23	1.1	1.1	50	—	NU2208	NJ2208	NUP2208	—	0.490
	80	23	1.1	1.1	49.5	—	NU2208E	NJ2208E	NUP2208E	—	0.490
	80	30.2	1.1	1.1	50	—	NU3208	—	—	—	0.711
	90	23	1.5	1.5	53.5	77.5	NU308	NJ308	NUP308	N308	0.657
	90	23	1.5	1.5	52	—	NU308E	NJ308E	NUP308E	—	0.664
	90	33	1.5	1.5	53.5	—	NU2308	NJ2308	NUP2308	—	0.956
	90	33	1.5	1.5	52	—	NU2308E	NJ2308E	NUP2308E	—	0.962
45	90	36.5	1.5	1.5	53.5	—	NU3308	—	—	—	1.19
	110	27	2	2	58	92	NU408	NJ408	NUP408	N408	1.30
	75	16	1	0.6	52.5	—	NU1009	—	NUP1009	—	0.289

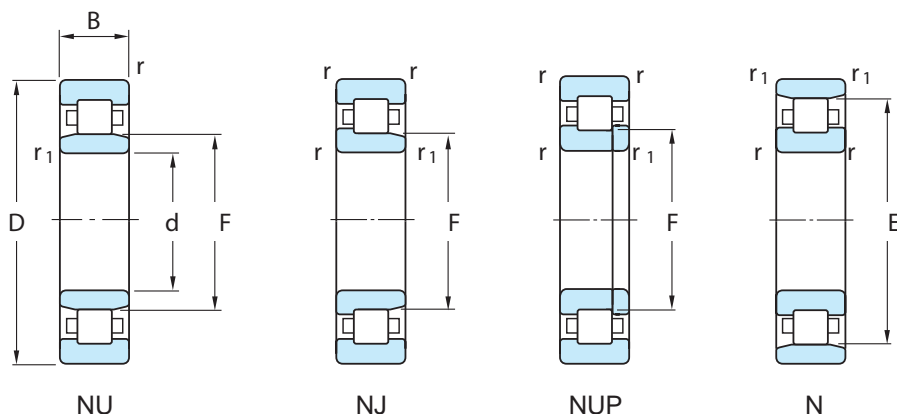
Single-row cylindrical roller bearings

d 45 ~ 55 mm



Boundary dimensions (mm)							Bearing No.				(kg)
d	D	B	r _{min.}	r _{1 min.}	F	E	NU	NJ	NUP	N	
45	85	19	1.1	1.1	55	75	NU209	NJ209	NUP209	N209	0.427
	85	19	1.1	1.1	54.5	—	NU209E	NJ209E	NUP209E	—	0.439
	85	23	1.1	1.1	55	—	NU2209	NJ2209	NUP2209	—	0.536
	85	23	1.1	1.1	54.5	—	NU2209E	NJ2209E	NUP2209E	—	0.536
	85	30.2	1.1	1.1	55	—	NU3209	—	—	—	0.770
	100	25	1.5	1.5	58.5	86.5	NU309	NJ309	NUP309	N309	0.870
	100	25	1.5	1.5	58.5	—	NU309E	NJ309E	NUP309E	—	0.909
	100	36	1.5	1.5	58.5	—	NU2309	NJ2309	NUP2309	—	1.25
	100	36	1.5	1.5	58.5	—	NU2309E	NJ2309E	NUP2309E	—	1.32
	100	39.7	1.5	1.5	58.5	—	NU3309	—	—	—	1.59
50	120	29	2	2	64.5	100.5	NU409	NJ409	NUP409	N409	1.64
	80	16	1	0.6	57.5	—	NU1010	—	NUP1010	—	0.306
	90	20	1.1	1.1	60.4	80.4	NU210	NJ210	NUP210	N210	0.479
	90	20	1.1	1.1	59.5	—	NU210E	NJ210E	NUP210E	—	0.497
	90	23	1.1	1.1	60.4	—	NU2210	NJ2210	NUP2210	—	0.580
	90	23	1.1	1.1	59.5	—	NU2210E	NJ2210E	NUP2210E	—	0.580
	90	30.2	1.1	1.1	60.4	—	NU3210	—	—	—	0.829
	110	27	2	2	65	95	NU310	NJ310	NUP310	N310	1.15
	110	27	2	2	65	—	NU310E	NJ310E	NUP310E	—	1.15
	110	40	2	2	65	—	NU2310	NJ2310	NUP2310	—	1.69
55	110	40	2	2	65	—	NU2310E	NJ2310E	NUP2310E	—	1.76
	110	44.4	2	2	65	—	NU3310	—	—	—	2.14
	130	31	2.1	2.1	70.8	110.8	NU410	NJ410	NUP410	N410	2.01
	90	18	1.1	1	64.5	—	NU1011	—	NUP1011	—	0.445
	100	21	1.5	1.1	66.5	88.5	NU211	NJ211	NUP211	N211	0.640
	100	21	1.5	1.1	66	—	NU211E	NJ211E	NUP211E	—	0.650
	100	25	1.5	1.1	66.5	—	NU2211	NJ2211	NUP2211	—	0.780

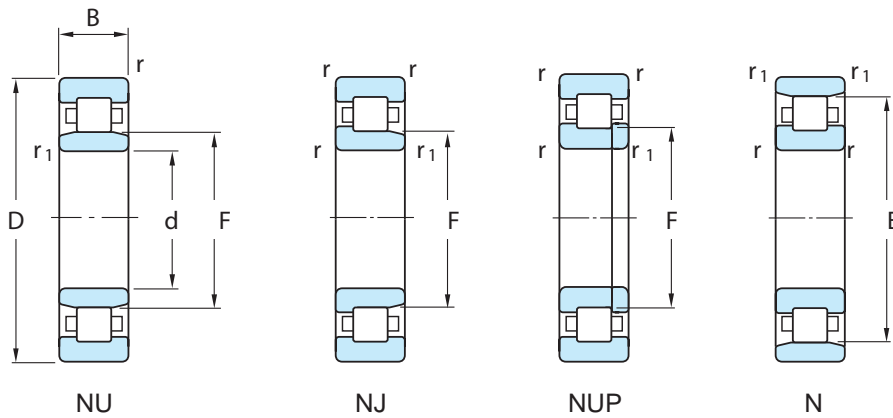
d 55 ~ 65 mm



Boundary dimensions (mm)							Bearing No.				
d	D	B	r _{min.}	r _{1 min.}	F	E	NU	NJ	NUP	N	(kg)
55	100	25	1.5	1.1	66	—	NU2211E	NJ2211E	NUP2211E	—	0.806
	100	33.3	1.5	1.5	66.5	—	NU3211	—	—	—	1.14
	120	29	2	2	70.5	104.5	NU311	NJ311	NUP311	N311	1.44
	120	29	2	2	70.5	—	NU311E	NJ311E	NUP311E	—	1.50
	120	43	2	2	70.5	—	NU2311	NJ2311	NUP2311	—	2.10
	120	43	2	2	70.5	—	NU2311E	NJ2311E	NUP2311E	—	2.25
	120	49.2	2	2	70.5	—	NU3311	—	—	—	2.81
	140	33	2.1	2.1	77.2	117.2	NU411	NJ411	NUP411	N411	2.51
60	95	18	1.1	1	69.5	—	NU1012	—	NUP1012	—	0.477
	110	22	1.5	1.5	73.5	97.5	NU212	NJ212	NUP212	N212	0.823
	110	22	1.5	1.5	72	—	NU212E	NJ212E	NUP212E	—	0.830
	110	28	1.5	1.5	73.5	—	NU2212	NJ2212	NUP2212	—	1.07
	110	28	1.5	1.5	72	—	NU2212E	NJ2212E	NUP2212E	—	1.09
	110	36.5	1.5	1.5	73.5	—	NU3212	—	—	—	1.52
	130	31	2.1	2.1	77	113	NU312	NJ312	NUP312	N312	1.83
	130	31	2.1	2.1	77	—	NU312E	NJ312E	NUP312E	—	1.87
	130	46	2.1	2.1	77	—	NU2312	NJ2312	NUP2312	—	2.69
	130	46	2.1	2.1	77	—	NU2312E	NJ2312E	NUP2312E	—	2.81
	130	54	2.1	2.1	77	—	NU3312	—	—	—	3.61
	150	35	2.1	2.1	83	127	NU412	NJ412	NUP412	N412	3.02
65	100	18	1.1	1	74.5	—	NU1013	—	NUP1013	—	0.506
	120	23	1.5	1.5	79.6	105.6	NU213	NJ213	NUP213	N213	1.05
	120	23	1.5	1.5	78.5	—	NU213E	NJ213E	NUP213E	—	1.05
	120	31	1.5	1.5	79.6	—	NU2213	NJ2213	NUP2213	—	1.43
	120	31	1.5	1.5	78.5	—	NU2213E	NJ2213E	NUP2213E	—	1.45
	120	38.1	1.5	1.5	79.6	—	NU3213	—	—	—	1.90
	140	33	2.1	2.1	83.5	121.5	NU313	NJ313	NUP313	N313	2.24

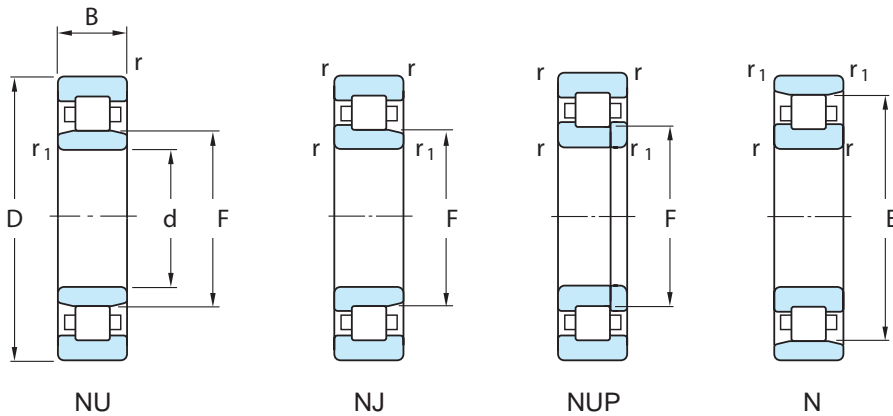
Single-row cylindrical roller bearings

d 65 ~ 75 mm



Boundary dimensions (mm)							Bearing No.				(kg)
d	D	B	r min.	r ₁ min.	F	E	NU	NJ	NUP	N	
65	140	33	2.1	2.1	82.5	—	NU313E	NJ313E	NUP313E	—	2.31
	140	48	2.1	2.1	83.5	—	NU2313	NJ2313	NUP2313	—	2.25
	140	48	2.1	2.1	82.5	—	NU2313E	—	NUP2313E	—	3.36
	140	58.7	2.1	2.1	83.5	—	NU3313	—	—	—	4.53
	160	37	2.1	2.1	89.3	135.3	NU413	NJ413	NUP413	N413	3.58
70	110	20	1.1	1	80	—	NU1014	—	NUP1014	—	0.702
	125	24	1.5	1.5	84.5	110.5	NU214	NJ214	NUP214	N214	1.15
	125	24	1.5	1.5	83.5	—	NU214E	NJ214E	NUP214E	—	1.16
	125	31	1.5	1.5	84.5	—	NU2214	NJ2214	NUP2214	—	1.52
	125	31	1.5	1.5	83.5	—	NU2214E	—	NUP2214E	—	1.53
	125	39.7	1.5	1.5	84.5	—	NU3214	—	—	—	2.09
	150	35	2.1	2.1	90	130	NU314	NJ314	NUP314	N314	2.73
	150	35	2.1	2.1	89	—	NU314E	NJ314E	NUP314E	—	2.81
	150	51	2.1	2.1	90	—	NU2314	NJ2314	NUP2314	—	3.97
	150	51	2.1	2.1	89	—	NU2314E	—	NUP2314E	—	4.08
	150	63.5	2.1	2.1	90	—	NU3314	—	—	—	5.62
	180	42	3	3	100	152	NU414	NJ414	NUP414	N414	5.26
75	115	20	1.1	1	85	—	NU1015	—	NUP1015	—	0.735
	130	25	1.5	1.5	88.5	116.5	NU215	NJ215	NUP215	N215	1.24
	130	25	1.5	1.5	88.5	—	NU215E	NJ215E	NUP215E	—	1.29
	130	31	1.5	1.5	88.5	—	NU2215	NJ2215	NUP2215	—	1.57
	130	31	1.5	1.5	88.5	—	NU2215E	—	NUP2215E	—	1.61
	130	41.3	1.5	1.5	88.5	—	NU3215	—	—	—	2.28
	160	37	2.1	2.1	95.5	139.5	NU315	NJ315	NUP315	N315	3.24
	160	37	2.1	2.1	95	—	NU315E	NJ315E	NUP315E	—	3.37
	160	55	2.1	2.1	95.5	—	NU2315	NJ2315	NUP2315	—	4.84
	160	55	2.1	2.1	95	—	NU2315E	—	NUP2315E	—	5.00

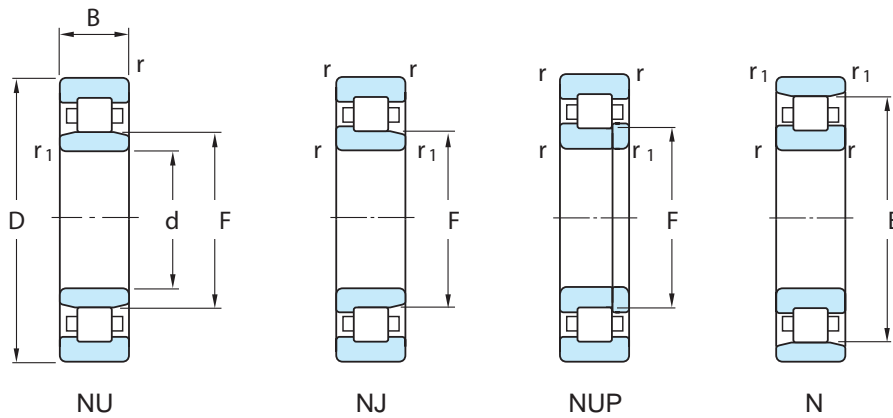
d 75 ~ 90 mm



Boundary dimensions (mm)							Bearing No.				(kg)
d	D	B	r min.	r ₁ min.	F	E	NU	NJ	NUP	N	
75	160	68.3	2.1	2.1	95.5	—	NU3315	—	—	—	6.86
	190	45	3	3	104.5	160.5	NU415	NJ415	NUP415	N415	6.25
80	125	22	1.1	1	91.5	—	NU1016	—	NUP1016	—	0.994
	140	26	2	2	95.3	125.3	NU216	NJ216	NUP216	N216	1.51
	140	26	2	2	95.3	—	NU216E	NJ216E	NUP216E	—	1.56
	140	33	2	2	95.3	—	NU2216	NJ2216	NUP2216	—	1.96
	140	33	2	2	95.3	—	NU2216E	NJ2216E	NUP2216E	—	2.03
	140	44.4	2	2	95.3	—	NU3216	—	—	—	2.87
	170	39	2.1	2.1	103	147	NU316	NJ316	NUP316	N316	3.92
	170	39	2.1	2.1	101	—	NU316E	NJ316E	NUP316E	—	4.00
	170	58	2.1	2.1	103	—	NU2316	NJ2316	NUP2316	—	5.83
	170	58	2.1	2.1	101	—	NU2316E	NJ2316E	NUP2316E	—	5.95
	170	68.3	2.1	2.1	103	—	NU3316	—	—	—	7.72
	200	48	3	3	110	170	NU416	NJ416	NUP416	N416	7.28
85	130	22	1.1	1	96.5	—	NU1017	—	NUP1017	—	1.04
	150	28	2	2	101.8	133.8	NU217	NJ217	NUP217	N217	1.90
	150	28	2	2	100.5	—	NU217E	NJ217E	NUP217E	—	1.94
	150	36	2	2	101.8	—	NU2217	NJ2217	NUP2217	—	2.50
	150	36	2	2	100.5	—	NU2217E	NJ2217E	NUP2217E	—	2.53
	150	49.2	2	2	101.8	—	NU3217	—	—	—	3.67
	180	41	3	3	108	156	NU317	NJ317	NUP317	N317	4.52
	180	41	3	3	108	—	NU317E	NJ317E	NUP317E	—	4.80
	180	60	3	3	108	—	NU2317	NJ2317	NUP2317	—	6.62
	180	60	3	3	108	—	NU2317E	NJ2317E	NUP2317E	—	6.98
	180	73	3	3	108	—	NU3317	—	—	—	9.23
	210	52	4	4	113	177	NU417	NJ417	NUP417	N417	8.68
90	140	24	1.5	1.1	103	—	NU1018	—	NUP1018	—	1.34

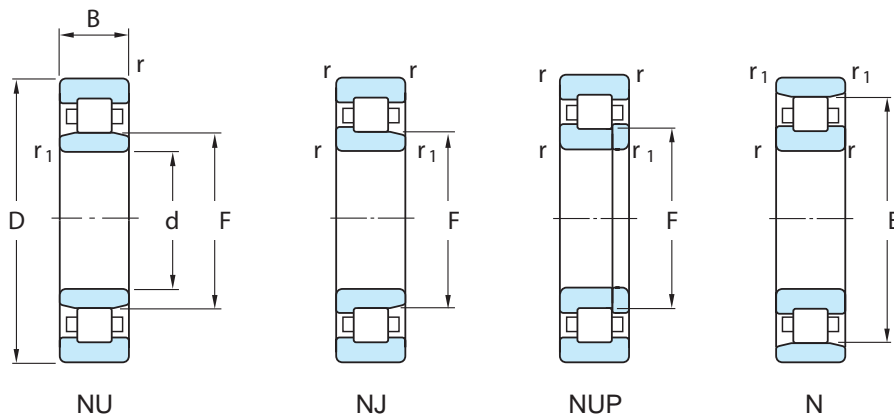
Single-row cylindrical roller bearings

d 90 ~ 100 mm



Boundary dimensions (mm)							Bearing No.				(kg)
d	D	B	r min.	r ₁ min.	F	E	NU	NJ	NUP	N	
90	160	30	2	2	107	143	NU218	NJ218	NUP218	N218	2.28
	160	30	2	2	107	—	NU218E	NJ218E	NUP218E	—	2.38
	160	40	2	2	107	—	NU2218	NJ2218	NUP2218	—	3.10
	160	40	2	2	107	—	NU2218E	NJ2218E	NUP2218E	—	3.21
	160	52.4	2	2	107	—	NU3218	—	—	—	4.49
	190	43	3	3	115	165	NU318	NJ318	NUP318	N318	5.38
	190	43	3	3	113.5	—	NU318E	NJ318E	NUP318E	—	5.47
	190	64	3	3	115	—	NU2318	NJ2318	NUP2318	—	7.90
	190	64	3	3	113.5	—	NU2318E	NJ2318E	NUP2318E	—	8.12
	190	73	3	3	115	—	NU3318	—	—	—	10.3
225	54	4	4	123.5	191.5	NU418	NJ418	NUP418	N418	10.3	
95	145	24	1.5	1.1	108	—	NU1019	—	NUP1019	—	1.40
	170	32	2.1	2.1	113.5	151.5	NU219	NJ219	NUP219	N219	2.80
	170	32	2.1	2.1	112.5	—	NU219E	NJ219E	NUP219E	—	2.92
	170	43	2.1	2.1	113.5	—	NU2219	NJ2219	NUP2219	—	3.85
	170	43	2.1	2.1	112.5	—	NU2219E	NJ2219E	NUP2219E	—	3.93
	170	55.6	2.1	2.1	113.5	—	NU3219	—	—	—	5.42
	200	45	3	3	121.5	173.5	NU319	NJ319	NUP319	N319	6.20
	200	45	3	3	121.5	—	NU319E	NJ319E	NUP319E	—	6.42
	200	67	3	3	121.5	—	NU2319	NJ2319	NUP2319	—	9.39
	200	77.8	3	3	121.5	—	NU3319	—	—	—	12.1
240	55	4	4	133.5	201.5	NU419	NJ419	NUP419	N419	13.6	
100	150	24	1.5	1.1	113	—	NU1020	—	NUP1020	—	1.46
	180	34	2.1	2.1	120	160	NU220	NJ220	NUP220	N220	3.38
	180	34	2.1	2.1	119	—	NU220E	NJ220E	NUP220E	—	3.52
	180	46	2.1	2.1	120	—	NU2220	NJ2220	NUP2220	—	4.67
	180	46	2.1	2.1	119	—	NU2220E	NJ2220E	NUP2220E	—	4.82

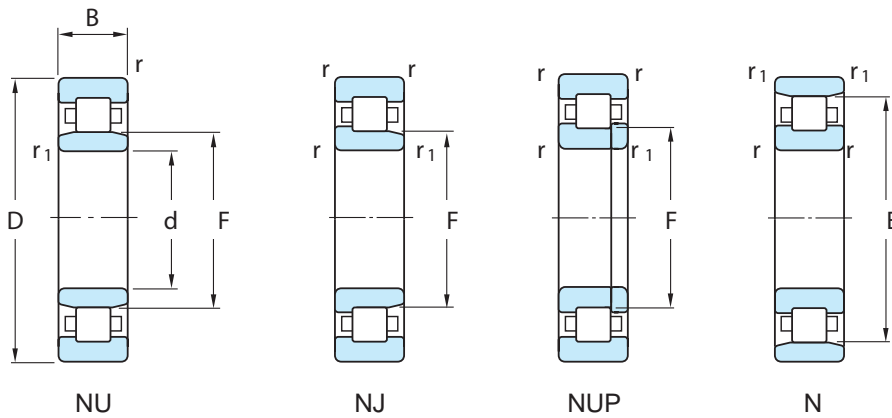
d 100 ~ 110 mm



d	Boundary dimensions (mm)						Bearing No.				(kg)
	D	B	r _{min.}	r _{1 min.}	F	E	NU	NJ	NUP	N	
100	180	60.3	2.1	2.1	120	—	NU3220	—	—	—	6.62
	215	47	3	3	129.5	185.5	NU320	NJ320	NUP320	N320	7.70
	215	47	3	3	127.5	—	NU320E	NJ320E	NUP320E	—	7.75
	215	73	3	3	129.5	—	NU2320	NJ2320	NUP2320	—	11.9
	215	73	3	3	127.5	—	NU2320E	NJ2320E	NUP2320E	—	12.1
	215	82.6	3	3	129.5	—	NU3320	—	—	—	15.0
	250	58	4	4	139	211	NU420	NJ420	NUP420	N420	14.0
105	160	26	2	1.1	119.5	—	NU1021	—	NUP1021	—	1.85
	190	36	2.1	2.1	126.8	168.8	NU221	NJ221	NUP221	N221	4.00
	190	65.1	2.1	2.1	126.8	—	NU3221	—	—	—	8.00
	225	49	3	3	135	195	NU321	NJ321	NUP321	N321	8.76
	225	77	3	3	135	—	NU2321	—	NUP2321	—	15.6
	225	87.3	3	3	135	—	NU3321	—	—	—	17.4
	260	60	4	4	144.5	220.5	NU421	NJ421	NUP421	N421	19.1
110	170	28	2	1.1	125	—	NU1022	—	NUP1022	—	2.31
	200	38	2.1	2.1	132.5	178.5	NU222	NJ222	NUP222	N222	4.65
	200	38	2.1	2.1	132.5	—	NU222E	NJ222E	NUP222E	—	4.90
	200	53	2.1	2.1	132.5	—	NU2222	NJ2222	NUP2222	—	6.93
	200	53	2.1	2.1	132.5	—	NU2222E	NJ2222E	NUP2222E	—	6.93
	200	69.8	2.1	2.1	132.5	—	NU3222	—	—	—	9.55
	240	50	3	3	143	207	NU322	NJ322	NUP322	N322	10.4
	240	50	3	3	143	—	NU322E	NJ322E	NUP322E	—	10.7
	240	80	3	3	143	—	NU2322	NJ2322	NUP2322	—	18.8
	240	80	3	3	143	—	NU2322E	NJ2322E	NUP2322E	—	18.8
	240	92.1	3	3	143	—	NU3322	—	—	—	21.1
	280	65	4	4	155	235	NU422	NJ422	NUP422	N422	19.9

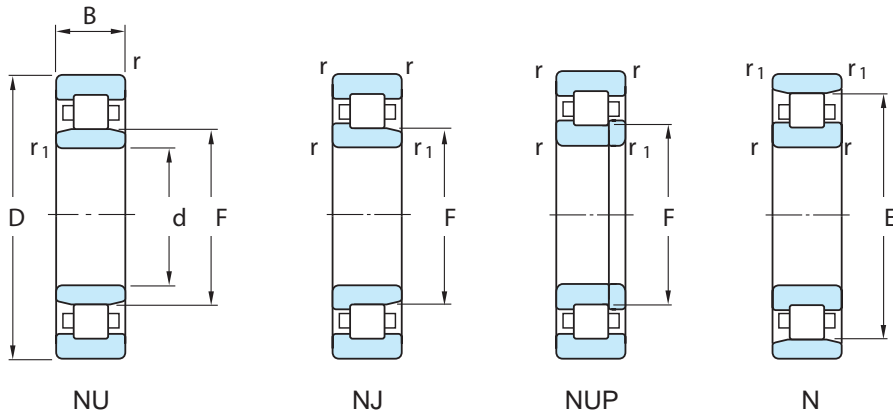
Single-row cylindrical roller bearings

d 120 ~ 140 mm



Boundary dimensions (mm)							Bearing No.				(kg)
d	D	B	r min.	r ₁ min.	F	E	NU	NJ	NUP	N	
120	180	28	2	1.1	135	—	NU1024	—	NUP1024	—	2.47
	215	40	2.1	2.1	143.5	191.5	NU224	NJ224	NUP224	N224	5.65
	215	40	2.1	2.1	143.5	—	NU224E	NJ224E	NUP224E	—	5.85
	215	58	2.1	2.1	143.5	—	NU2224	NJ2224	NUP2224	—	8.56
	215	58	2.1	2.1	143.5	—	NU2224E	NJ2224E	NUP2224E	—	8.56
	215	76	2.1	2.1	143.5	—	NU3224	—	—	—	11.9
	260	55	3	3	154	226	NU324	NJ324	NUP324	N324	13.1
	260	55	3	3	154	—	NU324E	NJ324E	NUP324E	—	13.4
	260	86	3	3	154	—	NU2324	NJ2324	NUP2324	—	23.1
	260	86	3	3	154	—	NU2324E	NJ2324E	NUP2324E	—	23.1
	260	106	3	3	154	—	NU3324	—	—	—	28.3
310	72	5	5	170	260	NU424	NJ424	NUP424	N424	28.0	
130	200	33	2	1.1	148	—	NU1026	—	NUP1026	—	3.77
	230	40	3	3	156	204	NU226	NJ226	NUP226	N226	6.49
	230	40	3	3	153.5	—	NU226E	NJ226E	NUP226E	—	6.60
	230	64	3	3	156	—	NU2226	NJ2226	NUP2226	—	11.2
	230	64	3	3	153.5	—	NU2226E	NJ2226E	NUP2226E	—	11.2
	230	80	3	3	156	—	NU3226	—	—	—	14.1
	280	58	4	4	167	243	NU326	NJ326	NUP326	N326	16.4
	280	58	4	4	167	—	NU326E	NJ326E	NUP326E	—	16.7
	280	93	4	4	167	—	NU2326	NJ2326	NUP2326	—	29.1
	280	93	4	4	167	—	NU2326E	NJ2326E	NUP2326E	—	29.1
	280	112	4	4	167	—	NU3326	—	—	—	34.6
340	78	5	5	185	285	NU426	NJ426	NUP426	N426	36.1	
140	210	33	2	1.1	158	—	NU1028	—	NUP1028	—	4.00
	250	42	3	3	169	221	NU228	NJ228	NUP228	N228	8.27
	250	42	3	3	169	—	NU228E	NJ228E	NUP228E	—	28.50

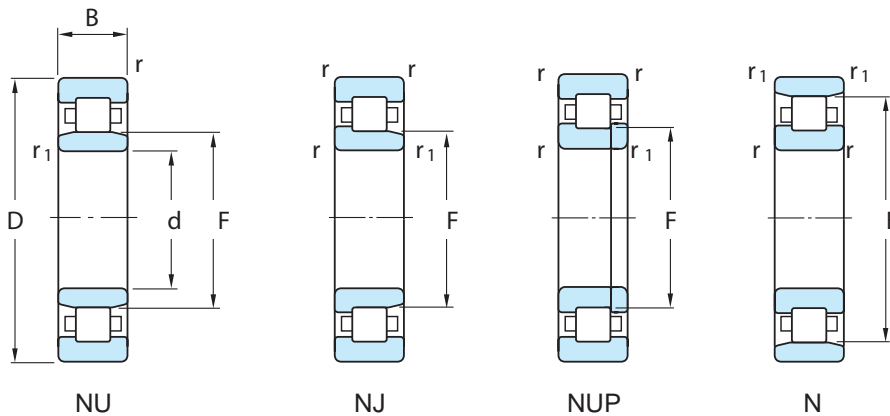
d 140 ~ 160 mm



Boundary dimensions (mm)							Bearing No.				(kg)
d	D	B	r min.	r ₁ min.	F	E	NU	NJ	NUP	N	
140	250	68	3	3	169	—	NU2228	NJ2228	NUP2228	—	14.3
	250	68	3	3	169	—	NU2228E	NJ2228E	NUP2228E	—	14.3
	250	88	3	3	169	—	NU3228	—	—	—	18.5
	300	62	4	4	180	260	NU328	NJ328	NUP328	N328	21.8
	300	62	4	4	180	—	NU328E	NJ328E	NUP328E	—	21.8
	300	102	4	4	180	—	NU2328	NJ2328	NUP2328	—	36.8
	300	102	4	4	180	—	NU2328E	NJ2328E	NUP2328E	—	36.8
	300	118	4	4	180	—	NU3328	—	—	—	41.5
	360	82	5	5	198	302	NU428	NJ428	NUP428	N428	46.8
150	225	35	2.1	1.5	169.5	—	NU1030	—	NUP1030	—	4.83
	270	45	3	3	182	238	NU230	NJ230	NUP230	N230	10.3
	270	45	3	3	182	—	NU230E	NJ230E	NUP230E	—	10.7
	270	73	3	3	182	—	NU2230	NJ2230	NUP2230	—	18.7
	270	73	3	3	182	—	NU2230E	NJ2230E	NUP2230E	—	18.7
	270	96	3	3	182	—	NU3230	—	—	—	23.7
	320	65	4	4	193	277	NU330	NJ330	NUP330	N330	26.4
	320	65	4	4	193	—	NU330E	NJ330E	NUP330E	—	27.0
	320	108	4	4	193	—	NU2330	NJ2330	NUP2330	—	44.7
	320	108	4	4	193	—	NU2330E	NJ2330E	NUP2330E	—	44.7
	320	128	4	4	193	—	NU3330	—	—	—	51.4
	380	85	5	5	213	317	NU430	NJ430	NUP430	N430	53.3
160	240	38	2.1	1.5	180	—	NU1032	—	NUP1032	—	5.93
	290	48	3	3	195	255	NU232	NJ232	NUP232	N232	14.4
	290	48	3	3	195	—	NU232E	NJ232E	NUP232E	—	14.8
	290	80	3	3	195	—	NU2232	NJ2232	NUP2232	—	23.6
	290	80	3	3	193	—	NU2232E	NJ2232E	NUP2232E	—	23.6
	290	104	3	3	195	—	NU3232	—	—	—	29.8

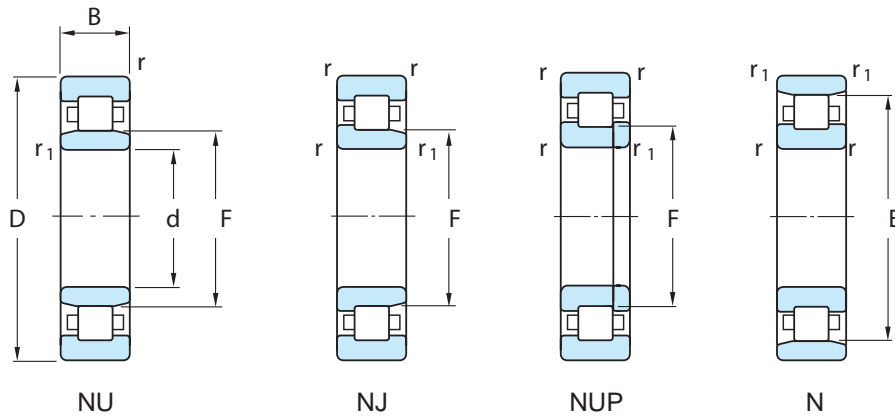
Single-row cylindrical roller bearings

d 160 ~ 190 mm



Boundary dimensions (mm)							Bearing No.				(kg)
d	D	B	r min.	r ₁ min.	F	E	NU	NJ	NUP	N	
160	340	68	4	4	208	292	NU332	NJ332	NUP332	N332	31.7
	340	68	4	4	204	—	NU332E	NJ332E	NUP332E	—	32.0
	340	114	4	4	208	—	NU2332	NJ2332	NUP2332	—	53.1
	340	114	4	4	204	—	NU2332E	NJ2332E	NUP2332E	—	53.
	340	136	4	4	208	—	NU3332	—	—	—	61.5
170	260	42	2.1	2.1	193	—	NU1034	—	NUP1034	—	7.9
	310	52	4	4	208	272	NU234	NJ234	NUP234	N234	18.4
	310	52	4	4	207	—	NU234E	NJ234E	NUP234E	—	18.6
	310	86	4	4	208	—	NU2234	NJ2234	NUP2234	—	29.2
	310	86	4	4	205	—	NU2234E	NJ2234E	NUP2234E	—	29.
	310	110	4	4	208	—	NU3234	—	—	—	36.2
	360	72	4	4	220	310	NU334	NJ334	NUP334	N334	38.6
	360	120	4	4	220	—	NU2334	NJ2334	NUP2334	—	62.
	360	140	4	4	220	—	NU3334	—	—	—	70.8
180	280	46	2.1	2.1	205	—	NU1036	—	NUP1036	—	10.
	320	52	4	4	218	282	NU236	NJ236	NUP236	N236	19.3
	320	52	4	4	217	—	NU236E	NJ236E	NUP236E	—	9.3
	320	86	4	4	218	—	NU2236	NJ2236	NUP2236	—	30.4
	320	86	4	4	215	—	NU2236E	NJ2236E	NUP2236E	—	30.
	320	112	4	4	218	—	NU3236	—	—	—	38.4
	380	75	4	4	232	328	NU336	NJ336	NUP336	N336	42.6
	380	126	4	4	232	—	NU2336	NJ2336	NUP2336	—	73.
	380	150	4	4	232	—	NU3336	—	—	—	84.4
190	290	46	2.1	2.1	215	—	NU1038	—	NUP1038	—	10.
	340	55	4	4	231	299	NU238	NJ238	NUP238	N238	23.2
	340	55	4	4	230	—	NU238E	NJ238E	NUP238E	—	23.3
	340	92	4	4	231	—	NU2238	NJ2238	NUP2238	—	37.0

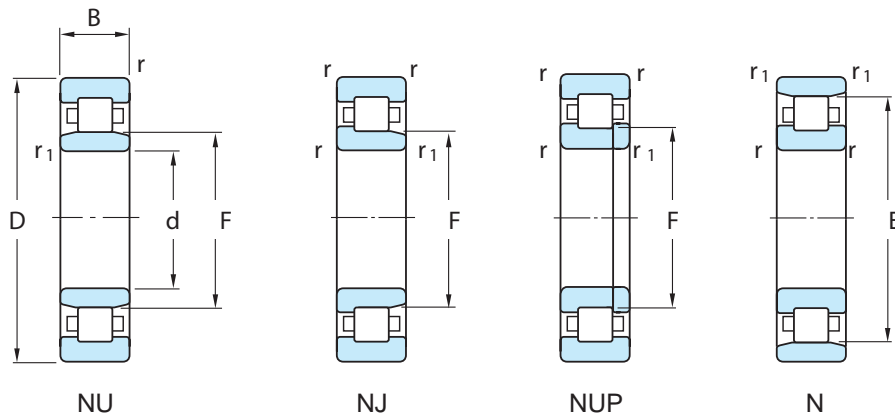
d 190 ~ 240 mm



Boundary dimensions (mm)							Bearing No.				(kg)
d	D	B	r min.	r ₁ min.	F	E	NU	NJ	NUP	N	
190	340	92	4	4	228	—	NU2238E	NJ2238E	NUP2238E	—	37.0
	340	120	4	4	231	—	NU3238	—	—	—	46.8
	400	78	5	5	245	345	NU338	NJ338	NUP338	N338	49.9
	400	132	5	5	245	—	NU2338	NJ2338	NUP2338	—	84.7
	400	155	5	5	245	—	NU3338	—	—	—	96.5
200	310	51	2.1	2.1	229	—	NU1040	—	NUP1040	—	14.1
	360	58	4	4	244	316	NU240	NJ240	NUP240	N240	26.8
	360	58	4	4	243	—	NU240E	NJ240E	NUP240E	—	27.2
	360	98	4	4	244	—	NU2240	NJ2240	NUP2240	—	44.4
	360	98	4	4	241	—	NU2240E	NJ2240E	NUP2240E	—	44.4
	360	128	4	4	244	—	NU3240	—	—	—	56.2
	420	80	5	5	260	360	NU340	NJ340	NUP340	N340	56.2
	420	138	5	5	260	—	NU2340	NJ2340	NUP2340	—	97.4
	420	165	5	5	260	—	NU3340	—	—	—	113
220	340	56	3	3	250	—	NU1044	—	NUP1044	—	18.5
	400	65	4	4	270	350	NU244	NJ244	NUP244	N244	38.5
	400	108	4	4	270	—	NU2244	NJ2244	—	—	60.9
	400	144	4	4	270	—	NU3244	—	—	—	78.8
	460	88	5	5	284	396	NU344	NJ344	NUP344	N344	74.4
	460	145	5	5	284	—	NU2344	—	NUP2344	—	119
	460	180	5	5	284	—	NU3344	—	—	—	148
240	360	56	3	3	270	—	NU1048	—	NUP1048	—	20.1
	440	72	4	4	295	385	NU248	NJ248	NUP248	N248	52.1
	440	120	4	4	295	—	NU2248	NJ2248	—	—	82.5
	440	160	4	4	295	—	NU3248	—	—	—	107
	500	95	5	5	310	430	NU348	NJ348	NUP348	N348	94.6
	500	155	5	5	310	—	NU2348	—	NUP2348	—	152

Single-row cylindrical roller bearings

d 240 ~ 460 mm



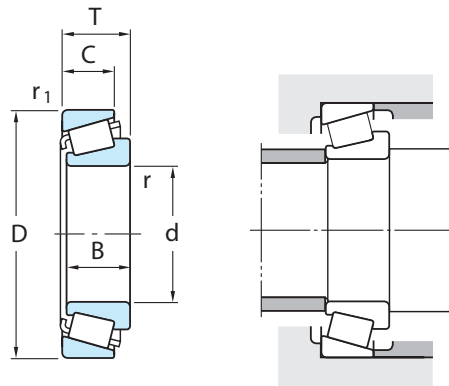
Boundary dimensions (mm)							Bearing No.				(kg)
d	D	B	r _{min.}	r _{1 min.}	F	E	NU	NJ	NUP	N	
240	500	195	5	5	310	—	NU3348	—	—	—	189
260	400	65	4	4	296	—	NU1052	—	NUP1052	—	29.2
	480	80	5	5	320	420	NU252	NJ252	NUP252	N252	69.0
	480	130	5	5	320	—	NU2252	NJ2252	—	—	107
	480	174	5	5	320	—	NU3252	—	—	—	139
	540	165	6	6	336	—	NU2352	—	NUP2352	—	185
	540	206	6	6	336	—	NU3352	—	—	—	232
280	420	65	4	4	316	—	NU1056	—	NUP1056	—	35.2
	500	80	5	5	340	440	NU256	NJ256	NUP256	N256	72.7
300	460	74	4	4	340	—	NU1060	—	NUP1060	—	44.1
	540	85	5	5	364	476	NU260	NJ260	NUP260	N260	90.7
320	480	74	4	4	360	—	NU1064	—	NUP1064	—	48.4
	580	92	5	5	390	510	NU264	NJ264	NUP264	N264	114
	670	112	7.5	7.5	425	—	NU364	—	—	—	199
340	520	82	5	5	385	—	NU1068	—	NUP1068	—	64.1
360	540	82	5	5	405	—	NU1072	—	NUP1072	—	67.1
380	560	82	5	5	425	—	NU1076	—	NUP1076	—	70.1
400	600	90	5	5	450	—	NU1080	—	NUP1080	—	91.0
420	620	90	5	5	470	—	NU1084	—	NUP1084	—	94.6
440	650	94	6	6	493	—	NU1088	—	NUP1088	—	109
460	680	100	6	6	516	—	NU1092	—	NUP1092	—	127



Tapered roller bearings

Single-row tapered roller bearings metric series

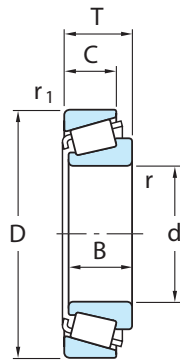
d 15 ~ 28 mm



d	Boundary dimensions (mm)						Bearing No.	(kg)
	D	T	B	C	r min.	r ₁ min.		
15	35	11.75	11	10	0.6	0.6	30202	0.054
	42	14.25	13	11	1	1	30302	0.098
17	40	13.25	12	11	1	1	30203	0.081
	40	17.25	16	14	1	1	32203	0.104
	47	15.25	14	12	1	1	30303	0.133
	47	20.25	19	16	1	1	32303	0.176
20	42	15	15	12	0.6	0.6	32004X	0.102
	47	15.25	14	12	1	1	30204	0.127
	47	19.25	18	15	1	1	32204	0.159
	52	16.25	16	13	1.5	1.5	30304	0.179
	52	22.25	21	18	1.5	1.5	32304	0.244
22	44	15	15	11.5	0.6	0.6	320/22	0.108
	50	15.25	14	12	1	1	302/22	0.144
25	47	15	15	11.5	0.6	0.6	32005X	0.118
	47	17	17	14	0.6	0.6	33005	0.131
	52	16.25	15	13	1	1	30205	0.156
	52	19.25	18	16	1	1	32205	0.188
	52	22	22	18	1	1	33205	0.225
	62	18.25	17	15	1.5	1.5	30305	0.273
	62	25.25	24	20	1.5	1.5	32305	0.386
28	52	16	16	12	1	1	320/28	0.150
	58	17.25	16	14	1	1	302/28	0.209
	58	20.25	19	16	1	1	322/28	0.244
	58	24	24	19	1	1	332/28J	0.302

metric series

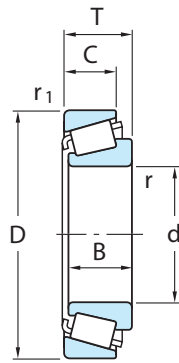
d 30 ~ 40 mm



Boundary dimensions (mm)							Bearing No.	(kg)
d	D	T	B	C	r min.	r ₁ min.		
30	55	17	17	13	1	1	32006X	0.177
	55	20	20	16	1	1	33006	0.203
	62	17.25	16	14	1	1	30206X	0.236
	62	21.25	20	17	1	1	32206	0.292
	62	25	25	19.5	1	1	33206	0.359
	72	20.75	19	16	1.5	1.5	30306	0.411
	72	28.75	27	23	1.5	1.5	32306	0.588
32	58	17	17	13	1	1	320/32	0.196
	65	26	26	20.5	1	1	332/32	0.404
35	55	14	14	11.5	0.6	0.6	32907	0.120
	62	18	18	14	1	1	32007X	0.231
	62	21	21	17	1	1	33007	0.263
	72	18.25	17	15	1.5	1.5	30207	0.344
	72	24.25	23	19	1.5	1.5	32207	0.453
	72	28	28	22	1.5	1.5	33207	0.551
	80	22.75	21	18	2	1.5	30307	0.527
	80	32.75	31	25	2	1.5	32307	0.776
40	62	15	15	12	0.6	0.6	32908	0.164
	68	19	19	14.5	1	1	32008X	0.282
	68	22	22	18	1	1	33008	0.326
	75	26	26	20.5	1.5	1.5	33108	0.508
	80	19.75	18	16	1.5	1.5	30208	0.434

Single-row tapered roller bearings metric series

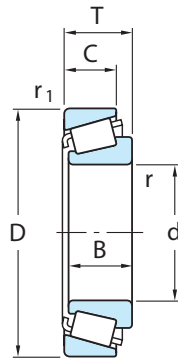
d 40 ~ 50 mm



Boundary dimensions (mm)							Bearing No.	(kg)
d	D	T	B	C	r min.	r ₁ min.		
40	80	24.75	23	19	1.5	1.5	32208	0.554
	80	32	32	25	1.5	1.5	33208	0.758
	90	25.25	23	20	2	1.5	30308	0.757
	90	35.25	33	27	2	1.5	32308	1.06
45	68	15	15	12	0.6	0.6	32909	0.190
	75	20	20	15.5	1	1	32009X	0.354
	75	24	24	19	1	1	33009	0.416
	80	26	26	20.5	1.5	1.5	33109	0.563
	85	20.75	19	16	1.5	1.5	30209	0.502
	85	24.75	23	19	1.5	1.5	32209	0.597
	85	32	32	25	1.5	1.5	33209	0.818
	95	29	26.5	20	2.5	2.5	T7FC045	0.943
	95	36	35	30	2.5	2.5	T2ED045	1.20
	100	27.25	25	22	2	1.5	30309	1.01
100	38.25	36	30	2	1.5	32309	1.43	
50	72	15	15	12	0.6	0.6	32910	0.195
	80	20	20	15.5	1	1	32010X	0.389
	80	24	24	19	1	1	33010	0.451
	85	26	26	20	1.5	1.5	33110	0.594
	90	21.75	20	17	1.5	1.5	30210	0.566
	90	24.75	23	19	1.5	1.5	32210	0.643
	90	32	32	24.5	1.5	1.5	33210	0.887
	100	36	35	30	2.5	2.5	T2ED050	1.28
	105	32	29	22	3	3	T7FC050	1.25
	110	29.25	27	23	2.5	2	30310	1.32
110	42.25	40	33	2.5	2	32310	1.89	

metric series

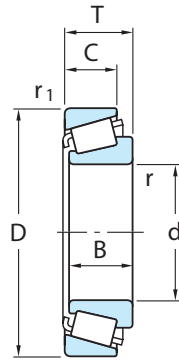
d 55 ~ 65 mm



Boundary dimensions (mm)							Bearing No.	(kg)
d	D	T	B	C	r min.	r ₁ min.		
55	80	17	17	14	1	1	32911	0.285
	90	23	23	17.5	1.5	1.5	32011X	0.569
	90	27	27	21	1.5	1.5	33011	0.672
	95	30	30	23	1.5	1.5	33111	0.868
	100	22.75	21	18	2	1.5	30211	0.732
	100	26.75	25	21	2	1.5	32211	0.863
	100	35	35	27	2	1.5	33211	1.18
	115	34	31	23.5	3	3	T7FC055	1.59
	120	31.5	29	25	2.5	2	30311	1.65
	120	45.5	43	35	2.5	2	32311	2.38
60	85	17	17	14	1	1	32912	0.306
	95	23	23	17.5	1.5	1.5	32012X	0.621
	95	27	27	21	1.5	1.5	33012	0.719
	100	30	30	23	1.5	1.5	33112	0.923
	110	23.75	22	19	2	1.5	30212	0.945
	110	29.75	28	24	2	1.5	32212	1.19
	110	38	38	29	2	1.5	33212	1.57
	115	39	38	31	4	2.5	T5ED060	1.81
	125	37	33.5	26	3	3	T7FC060	2.03
	130	33.5	31	26	3	2.5	30312	2.08
	130	48.5	46	37	3	2.5	32312	2.99
65	90	17	17	14	1	1	32913	0.327
	100	23	23	17.5	1.5	1.5	32013X	0.664
	100	27	27	21	1.5	1.5	33013	0.762
	110	34	34	26.5	1.5	1.5	33113	1.33
	120	24.75	23	20	2	1.5	30213	1.18

Single-row tapered roller bearings metric series

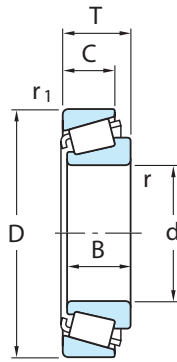
d 65 ~ 75 mm



d	Boundary dimensions (mm)						Bearing No.	(kg)
	D	T	B	C	r min.	r ₁ min.		
65	120	32.75	31	27	2	1.5	32213	1.58
	120	41	41	32	2	1.5	33213	2.02
	130	37	33.5	26	3	3	T7FC065	2.17
	140	36	33	28	3	2.5	30313	2.56
	140	51	48	39	3	2.5	32313	3.64
70	100	20	20	16	1	1	32914	0.496
	110	25	25	19	1.5	1.5	32014X	0.884
	110	31	31	25.5	1.5	1.5	33014	1.09
	120	37	37	29	2	1.5	33114	1.71
	125	26.25	24	21	2	1.5	30214	1.32
	125	33.25	31	27	2	1.5	32214	1.71
	125	41	41	32	2	1.5	33214	2.16
	130	43	42	35	3	2.5	T2ED070	2.48
	140	39	35.5	27	3	3	T7FC070	2.64
	150	38	35	30	3	2.5	30314	3.08
	150	54	51	42	3	2.5	32314	4.50
75	105	20	20	16	1	1	32915	0.526
	115	25	25	19	1.5	1.5	32015X	0.930
	115	31	31	25.5	1.5	1.5	33015	1.16
	125	37	37	29	2	1.0	33115	1.84
	130	27.25	25	22	2	1.5	30215	1.42
	130	33.25	31	27	2	1.5	32215	1.77
	130	41	41	31	2	1.0	33215	2.26
	150	42	38	29	3	3	T7FC075	3.24
	160	40	37	31	3	2.5	30315	3.65
	160	58	55	45	3	2.5	32315	5.41

metric series

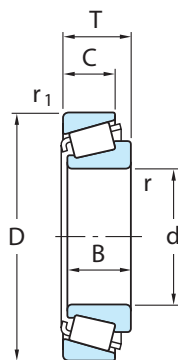
d 80 ~ 90 mm



Boundary dimensions (mm)							Bearing No.	(kg)
d	D	T	B	C	r min.	r ₁ min.		
80	110	20	20	16	1	1	32916	0.556
	125	29	29	22	1.5	1.5	32016X	1.32
	125	36	36	29.5	1.5	1.5	33016	1.63
	130	37	37	29	2	1.5	33116	1.93
	140	28.25	26	22	2.5	2	30216	1.72
	140	35.25	33	28	2.5	2	32216	2.17
	140	46	46	35	2.5	2	33216	2.99
	145	46	45	38	3	2.5	T2ED080	3.20
	170	42.5	39	33	3	2.5	30316	4.46
	170	61.5	58	48	3	2.5	32316	6.31
85	120	23	23	18	1.5	1.5	32917	0.794
	130	29	29	22	1.5	1.5	32017X	1.38
	130	36	36	29.5	1.5	1.5	33017	1.72
	140	41	41	32	2.5	2	33117	2.43
	150	30.5	28	24	2.5	2	30217	2.17
	150	38.5	36	30	2.5	2	32217	2.80
	150	49	49	37	2.5	2	33217	3.63
	180	44.5	41	34	4	3	30317	5.15
85	180	63.5	60	49	4	3	32317	7.42
90	125	23	23	18	1.5	1.5	32918	0.834
	140	32	32	24	2	1.5	32018X	1.80
	140	39	39	32.5	2	1.5	33018	2.22
	150	45	45	35	2.5	2	33118	3.13
	160	32.5	30	26	2.5	2	30218	2.65
	160	42.5	40	34	2.5	2	32218	3.47
	160	55	55	42	2.5	2	33218	4.76
	190	46.5	43	36	4	3	30318	6.04
	190	67.5	64	53	4	3	32318	8.61

Single-row tapered roller bearings metric series

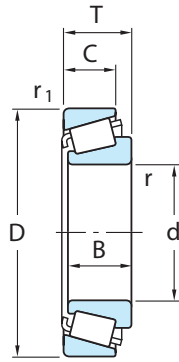
d 95 ~ 105 mm



Boundary dimensions (mm)							Bearing No.	(kg)
d	D	T	B	C	r min.	r ₁ min.		
95	130	23	23	18	1.5	1.5	32919	0.876
	145	32	32	24	2	1.5	32019X	1.88
	145	39	39	32.5	2	1.5	33019	2.31
	160	49	49	38	2.5	2	33119	3.89
	170	34.5	32	27	3	2.5	30219	3.20
	170	45.5	43	37	3	2.5	32219	4.34
	170	58	58	44	3	2.5	33219	5.66
	200	49.5	45	38	4	3	30319	6.96
	200	71.5	67	55	4	3	32319	10.1
	100	140	25	25	20	1.5	1.5	32920
145		24	22.5	17.5	3	3	T4CB100	1.12
150		32	32	24	2	1.5	32020X	1.95
150		39	39	32.5	2	1.5	33020	2.40
165		47	46	39	3	3	T2EE100	3.86
165		52	52	40	2.5	2	33120	4.29
180		37	34	29	3	2.5	30220	3.83
180		49	46	39	3	2.5	32220	5.21
180		63	63	48	3	2.5	33220	6.92
215		51.5	47	39	4	3	30320	8.49
215		56.5	51	35	4	3	31320	8.72
215		77.5	73	60	4	3	32320	13.0
105	145	25	25	20	1.5	1.5	32921	1.23
	160	35	35	26	2.5	2	32021X	2.45
	160	43	43	34	2.5	2	33021	3.08
	175	56	56	44	2.5	2	33121	5.33
	190	39	36	30	3	2.5	30221	4.49
	190	53	50	43	3	2.5	32221	6.37

metric series

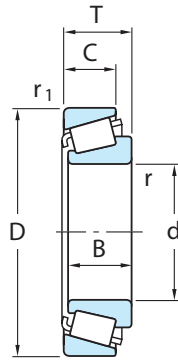
d 105 ~ 120 mm



Boundary dimensions (mm)							Bearing No.	
d	D	T	B	C	r min.	r ₁ min.		(kg)
105	190	68	68	52	3	2.5	33221	8.43
	225	53.5	49	41	4	3	30321	9.73
	225	58	53	36	4	3	31321	9.72
	225	81.5	77	63	4	3	32321	14.9
110	150	25	25	20	1.5	1.5	32922	1.28
	170	38	38	29	2.5	2	32022X	3.12
	170	47	47	37	2.5	2	33022	3.81
	180	56	56	43	2.5	2	33122	5.52
	200	41	38	32	3	2.5	30222	5.33
	200	56	53	46	3	2.5	32222	7.45
	240	54.5	50	42	4	3	30322	11.4
	240	63	57	38	4	3	31322	12.2
	240	84.5	80	65	4	3	32322	17.8
120	165	29	29	23	1.5	1.5	32924	1.77
	170	27	25	19.5	3	3	T4CB120	1.76
	180	38	38	29	2.5	2	32024X	3.34
	180	48	48	38	2.5	2	33024	4.16
	200	62	62	48	2.5	2	33124	7.73
	215	43.5	40	34	3	2.5	30224	6.36
	215	61.5	58	50	3	2.5	32224	9.04
	260	59.5	55	46	4	3	30324	14.5
	260	68	62	42	4	3	31324	15.4
	260	90.5	86	69	4	3	32324	22.2

Single-row tapered roller bearings metric series

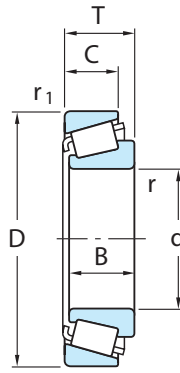
d 130 ~ 150 mm



Boundary dimensions (mm)							Bearing No.	(kg)
d	D	T	B	C	r min.	r ₁ min.		
130	180	32	32	25	2	1.5	32926	2.42
	200	45	45	34	2.5	2	32026X	5.04
	200	55	55	43	2.5	2	33026	6.19
	230	43.75	40	34	4	3	30226	7.24
	230	67.75	64	54	4	3	32226	11.5
	280	63.75	58	49	5	4	30326	18.1
	280	72	66	44	5	4	31326	18.9
	280	98.75	93	78	5	4	32326	26.5
140	190	32	32	25	2	1.5	32928	2.57
	195	29	27	21	3	3	T4CB140	2.36
	210	45	45	34	2.5	2	32028X	5.28
	210	56	56	44	2.5	2	33028	6.61
	250	45.75	42	36	4	3	30228	8.97
	250	71.75	68	58	4	3	32228	4.7
	300	67.75	62	53	5	4	30328	22.6
	300	77	70	47	5	4	31328	23.3
	300	107.75	102	85	5	4	3232	35.1
150	210	38	38	30	2.5	2	32930	3.96
	225	48	48	36	3	2.5	32030X	6.41
	225	59	59	46	3	2.5	33030	8.09
	270	49	45	38	4	3	30230	11.6
	270	77	73	60	4	3	32230	18.2
	320	72	65	55	5	4	30330	26.6
	320	82	75	50	5	4	31330	28.0
	320	114	108	90	5	4	32330	42.0

metric series

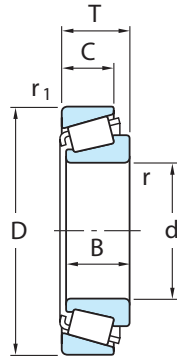
d 150 ~ 190 mm



d	Boundary dimensions (mm)					r min.	r ₁ min.	Bearing No.	(kg)
	D	T	B	C					
160	220	32	30	23	3	3	T4DB160	3.23	
	220	38	38	30	2.5	2	32932	4.19	
	240	51	51	38	3	2.5	32032X	7.75	
	290	52	48	40	4	3	30232	14.1	
	290	84	80	67	4	3	32232	23.2	
	340	75	68	58	5	4	30332	31.8	
	340	121	114	95	5	4	32332	47.9	
170	230	38	38	30	2.5	2	32934	4.49	
	260	57	57	43	3	2.5	32034X	10.5	
	310	57	52	43	5	4	30234	17.8	
	310	91	86	71	5	4	32234	28.9	
	360	80	72	62	5	4	30334	37.5	
	360	127	120	100	5	4	32334	56.9	
	180	250	45	45	34	2.5	2	32936	6.64
280		64	64	48	3	2.5	32036X	14.1	
320		57	52	43	5	4	30236	18.3	
320		91	86	71	5	4	32236	29.9	
380		83	75	64	5	4	30336	39.7	
380		134	126	106	5	4	32336	67.0	
190		260	45	45	34	2.5	2	32938	6.89
	290	64	64	48	3	2.5	32038	14.7	

Single-row tapered roller bearings metric series

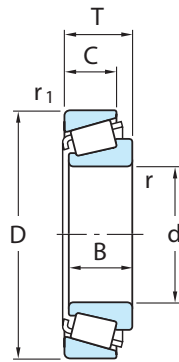
d 190 ~ 260 mm



Boundary dimensions (mm)							Bearing No.	(kg)
d	D	T	B	C	r min.	r ₁ min.		
190	340	60	55	46	5	4	30238	21.9
	340	97	92	75	5	4	32238	36.6
	400	86	78	65	6	5	30338	46.2
	400	140	132	109	6	5	32338	76.6
200	280	51	51	39	3	2.5	32940	9.44
	310	70	70	53	3	2.5	32040X	19.1
	360	64	58	48	5	4	30240	26.4
	360	104	98	82	5	4	32240JR	44.2
	420	89	80	67	6	5	30340	53.5
	420	146	138	115	6	5	32340	91.0
220	300	51	51	39	3	2.5	32944	10.1
	340	76	76	57	4	3	32044X	25.2
	400	72	65	54	5	4	30244	35.9
	400	114	108	90	5	4	32244	56.8
	460	97	88	73	6	5	30344	69.0
240	320	51	51	39	3	2.5	32948	10.9
	360	76	76	57	4	3	32048	26.8
	440	79	72	60	5	4	30248	49.5
	440	127	120	100	5	4	32248	76.4
260	360	63.5	63.5	48	3	2.5	32952	18.9
	400	87	87	65	5	4	32052X	39.5
	480	89	80	67	6	5	30252	64.9
	480	137	130	106	6	5	32252	102

metric series

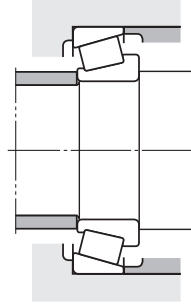
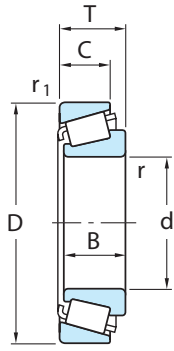
d 280 ~ 360 mm



d	Boundary dimensions (mm)					r min.	r ₁ min.	Bearing No.	(kg)
	D	T	B	C					
280	380	63.5	63.5	48	3	2.5	32956	20.1	
	420	87	87	65	5	4	32056X	41.7	
	500	89	80	67	6	5	30256	67.6	
	500	137	130	106	6	5	32256	108	
300	420	76	76	57	4	3	32960	32.4	
	460	100	100	74	5	4	32060X	57.5	
	540	96	85	71	6	5	30260	84.7	
320	440	76	76	57	4	3	32964	34.0	
	480	100	100	74	5	4	32064X	58.7	
	580	104	92	75	6	5	30264	108	
340	460	76	76	57	4	3	32968	35.6	
360	480	76	76	57	4	3	32972	37.1	

Single-row tapered roller bearings inch series

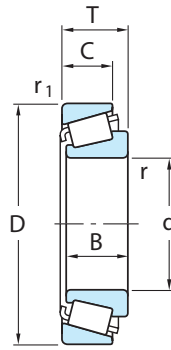
d 9.525 ~ 22.225 mm



d	Boundary dimensions (mm)						Bearing No.		(kg)	
	D	T	B	C	r min.	r ₁ min.	Inner ring	Outer ring	Inner ring	Outer ring
9.525	31.991	10.008	10.785	7.938	1.2	1.2	A2037	A2126	0.029	0.017
11.986	31.991	10.008	10.785	7.938	0.8	1.2	A2047	A2126	0.023	0.017
12.700	34.988	10.998	10.988	8.730	1.2	1.2	A4050	A4138	0.033	0.022
14.989	34.988	10.998	10.988	8.730	0.8	1.2	A4059	A4138	0.029	0.022
15.875	34.988	10.998	10.998	8.712	1.2	1.2	L21549	L21511	0.031	0.018
	41.275	14.288	14.681	11.112	1.2	2.0	03062	03162	0.060	0.035
	42.862	16.670	16.670	13.495	1.6	1.6	17580R	17520	0.078	0.048
	49.225	19.845	21.539	14.288	0.8	1.2	09062	09195	0.139	0.065
	53.975	22.225	21.839	15.875	0.8	2.4	21063	21212	0.163	0.097
16.000	47.000	21.000	21.000	16.000	1.0	2.0	HM81649	HM81610	0.111	0.080
17.462	39.878	13.843	14.605	10.668	1.2	1.2	LM11749R	LM11710	0.058	0.028
19.050	45.237	15.494	16.637	12.065	1.2	1.2	LM11949	LM11910	0.081	0.044
	49.225	19.845	21.539	14.288	1.2	1.2	09078	09195	0.124	0.065
	49.225	21.209	19.050	17.462	1.2	1.6	09067	09196	0.114	0.084
20.000	50.005	13.495	14.260	9.525	1.6	1.0	07079	07196	0.104	0.034
20.638	49.225	19.845	19.845	15.875	1.6	1.6	12580	12520	0.116	0.067
21.430	50.005	17.526	18.288	13.970	1.2	1.2	M12649	M12610	0.119	0.058
21.987	45.974	15.494	16.637	12.065	1.2	1.2	LM12749	LM12711	0.078	0.043
22.225	50.005	17.526	18.288	13.970	1.2	1.2	M12648	M12610	0.115	0.058
	52.388	19.368	20.168	14.288	1.6	1.6	1380	1328	0.132	0.066
	53.975	19.368	20.168	14.288	1.6	1.6	1380	1329	0.137	0.082

inch series

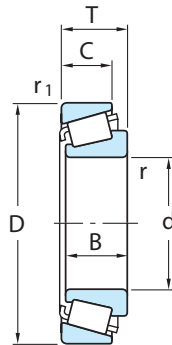
d 22.225 ~ 26.988 mm



d	Boundary dimensions (mm)						Bearing No.		(kg)	
	D	T	B	C	r min.	r ₁ min.	Inner ring	Outer ring	Inner ring	Outer ring
22.225	56.896	19.368	19.837	15.875	1.2	1.2	1755	1729	0.150	0.100
	57.150	22.225	22.225	17.462	0.8	1.6	1280	1220	0.189	0.105
	66.421	23.812	25.433	19.050	1.6	1.2	2684	2631	0.295	0.163
22.606	47.000	15.500	15.500	12.000	1.6	1.0	LM72849	LM72810	0.076	0.047
23.812	50.292	14.224	14.732	10.668	1.6	1.2	L44640R	L44610	0.099	0.034
	56.896	19.368	19.837	15.875	0.8	1.2	1779	1729	0.141	0.100
24.981	50.005	13.495	14.260	9.525	1.6	1.0	07098	07196	0.084	0.034
	62.000	16.002	16.566	14.288	1.6	1.6	17098	17244	0.162	0.090
25.000	50.005	13.495	14.260	9.525	1.6	1.0	07097	07196	0.085	0.035
25.400	50.005	13.495	14.260	9.525	1.0	1.0	07100	07196	0.084	0.035
	50.005	13.495	14.260	9.525	1.6	1.0	07100S	07196	0.082	0.035
	50.292	14.224	14.732	10.668	1.2	1.2	L44643R	L44610	0.092	0.039
	51.994	15.011	14.260	12.700	1.0	1.2	07100	07204	0.075	0.065
	58.738	19.050	19.355	15.080	1.2	1.2	1986R	1932	0.179	0.088
	59.530	23.368	23.114	18.288	0.8	1.6	M84249	M84210	0.194	0.128
	61.912	19.050	20.638	14.288	0.8	2.0	15101	15243	0.215	0.080
	62.000	19.050	20.638	14.288	3.6	1.2	15100	15245	0.215	0.081
	63.500	19.050	20.638	14.288	0.8	1.2	15101	15250R	0.215	0.097
	64.292	21.432	21.432	16.670	1.6	1.6	M86643R	M86610	0.248	0.127
	66.421	23.812	25.433	19.050	1.2	1.2	2687	2631	0.272	0.163
	68.262	22.225	22.225	17.462	0.8	1.6	02473	02420	0.275	0.150
72.233	25.400	25.400	19.842	0.8	2.4	HM88630	HM88610	0.391	0.185	
26.162	66.421	23.812	25.433	19.050	1.6	1.2	2682	2631	0.268	0.163
26.988	50.292	14.224	14.732	10.668	3.6	1.2	L44649R	L44610	0.083	0.039

Single-row tapered roller bearings inch series

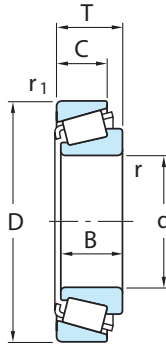
d 26.988 ~ 30.162 mm



d	Boundary dimensions (mm)						Bearing No.		(kg)	
	D	T	B	C	r _{min.}	r _{1 min.}	Inner ring	Outer ring	Inner ring	Outer ring
26.988	60.325	19.842	17.462	15.875	3.6	1.6	15580	15523	0.140	0.122
	62.000	19.050	20.638	14.288	0.8	1.2	15106	15245	0.206	0.081
	66.421	23.812	25.433	19.050	1.6	1.2	2688	2631	0.262	0.163
28.575	57.150	17.462	17.462	13.495	3.6	1.6	15590	15520	0.131	0.069
	57.150	19.845	19.355	15.875	3.6	1.6	1988R	1922	0.151	0.076
	62.000	19.050	20.638	14.288	3.6	1.2	15112	15245	0.193	0.081
	62.000	19.050	20.638	14.288	0.8	1.2	15113	15245	0.195	0.081
	64.292	21.432	21.432	16.670	1.6	1.6	M86647R	M86610	0.225	0.127
	66.421	23.812	25.433	19.050	1.2	1.2	2689	2631	0.249	0.165
	68.262	22.225	22.225	17.462	0.8	1.6	02474	02420	0.252	0.150
	72.000	19.000	18.923	15.875	1.6	1.6	26112	26283	0.217	0.163
	72.626	24.608	24.257	17.462	4.8	1.6	41125	41286	0.292	0.177
	72.626	24.608	24.257	17.462	1.6	1.6	41126	41286	0.295	0.177
	72.626	30.162	29.997	23.812	3.6	3.2	3192	3120	0.401	0.222
72.626	30.162	29.997	23.812	1.2	3.2	3198	3120	0.410	0.222	
73.025	22.225	22.225	17.462	0.8	3.2	02872	02820	0.319	0.158	
29.000	50.292	14.224	14.732	10.668	3.6	1.2	L45449	L45410	0.079	0.036
29.367	66.421	23.812	25.433	19.050	3.6	1.2	2690	2631	0.242	0.165
29.987	62.000	16.002	16.566	14.288	1.6	1.6	17118	17244	0.135	0.090
	62.000	19.050	20.638	14.288	1.2	1.2	15117	15245	0.184	0.081
30.000	69.012	19.845	19.583	15.875	3.6	1.2	14117A	14276	0.225	0.135
30.112	62.000	19.050	20.638	14.288	0.8	1.2	15116	15245	0.184	0.081
30.162	62.000	16.002	16.566	14.288	1.6	1.6	17119	17244	0.139	0.091
	64.292	21.432	21.432	16.670	1.6	1.6	M86649R	M86610	0.213	0.127

inch series

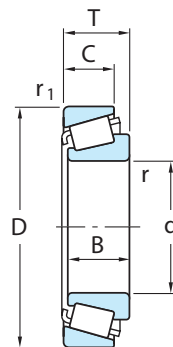
d 30.162 ~ 34.925 mm



d	Boundary dimensions (mm)						Bearing No.			
	D	T	B	C	r ¹⁾ min.	r ₁ min.	Inner ring	Outer ring	Inner ring (kg)	Outer ring (kg)
30.162	68.262	22.225	22.225	17.462	2.4	1.6	M88043	M88010	0.258	0.144
30.213	62.000	19.050	20.638	14.288	3.6	1.2	15118	15245	0.181	0.081
	62.000	19.050	20.638	14.288	1.6	1.2	15119	15245	0.183	0.081
	62.000	19.050	20.638	14.288	0.8	1.2	15120	15245	0.183	0.081
30.226	69.012	19.845	19.583	15.875	0.8	3.2	14116	14274	0.226	0.131
31.750	58.738	14.684	15.080	10.716	1.0	1.0	08125	08231	0.109	0.056
	59.131	15.875	16.764	11.811	SP	1.2	LM67048	LM67010	0.120	0.062
	62.000	18.161	19.050	14.288	SP	1.2	15123	15245	0.157	0.081
	62.000	19.050	20.638	14.288	3.6	1.2	15125	15245	0.169	0.081
	62.000	19.050	20.638	14.288	0.8	1.2	15126	15245	0.171	0.081
	66.421	25.400	25.357	20.638	0.8	3.2	2580	2520	0.281	0.123
	68.262	22.225	22.225	17.462	3.6	1.6	02475	02420	0.224	0.150
	68.262	22.225	22.225	17.462	0.8	1.6	02476	02420	0.226	0.150
	68.262	22.225	22.225	17.462	1.6	1.6	M88046	M88010	0.245	0.144
	73.025	22.225	22.225	17.462	3.6	3.2	02875	02820	0.293	0.158
	73.025	22.225	22.225	17.462	0.8	3.2	02876	02820	0.293	0.158
	73.025	29.370	27.783	23.020	1.2	3.2	HM88542	HM88510	0.377	0.238
73.812	29.370	27.783	23.020	1.2	3.2	HM88542	HM88512	0.377	0.254	
33.338	68.262	22.225	22.225	17.462	0.8	1.6	M88048	M88010	0.231	0.144
	72.000	19.000	18.923	15.875	3.6	1.6	26131	26283	0.200	0.163
	73.025	29.370	27.783	23.020	0.8	3.2	HM88547	HM88510	0.360	0.238
	76.200	29.370	28.575	23.020	0.8	3.2	HM89443	HM89410	0.415	0.254
34.925	65.088	18.034	18.288	13.970	SP	1.2	LM48548	LM48510	0.164	0.086
	69.012	26.982	26.721	15.875	0.8	1.2	14136A	14276	0.254	0.133
	72.233	25.400	25.400	19.842	2.4	2.4	HM88649	HM88610	0.301	0.185

Single-row tapered roller bearings inch series

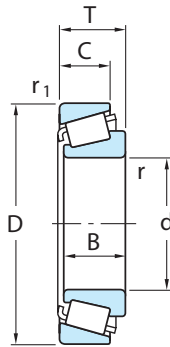
d 34.925 ~ 38.100 mm



d	Boundary dimensions (mm)						Bearing No.		(kg)	
	D	T	B	C	r ¹⁾ min.	r ₁ ¹⁾ min.	Inner ring	Outer ring	Inner ring	Outer ring
34.925	72.238	20.638	20.638	15.875	3.6	1.2	16137	16284	0.236	0.144
	73.025	22.225	22.225	17.462	3.6	3.2	02877	02820	0.262	0.158
	73.025	22.225	22.225	17.462	0.8	3.2	02878	02820	0.265	0.158
	73.025	23.812	24.608	19.050	1.6	0.8	25877R	25821	0.310	0.165
	73.025	26.988	26.975	22.225	3.6	1.6	23690	23620	0.326	0.212
	76.200	20.638	20.940	15.507	1.6	1.2	28137	28300	0.315	0.137
	76.200	23.812	25.654	19.050	3.6	3.2	2796R	2720	0.344	0.185
	76.200	29.370	28.575	23.812	1.6	3.2	31594	31520	0.388	0.232
	79.375	29.370	29.771	23.812	3.6	3.2	3478	3420	0.462	0.256
	87.312	30.162	30.886	23.812	3.6	3.2	3581R	3525	0.622	0.300
	95.250	27.783	29.901	22.225	0.8	2.4	449	432	0.686	0.384
34.980	59.131	15.875	16.764	11.938	SP	1.2	L68149	L68110	0.112	0.056
	59.975	15.875	16.764	11.938	SP	1.2	L68149	L68111	0.112	0.063
35.000	79.375	23.812	25.400	19.050	0.8	0.8	26883R	26822	0.414	0.186
	80.000	21.000	22.403	17.826	0.8	1.2	339	332	0.385	0.144
35.717	72.233	25.400	25.400	19.842	3.6	2.4	HM88648	HM88610	0.291	0.185
36.487	73.025	23.812	24.608	19.050	1.6	0.8	25880R	25821	0.294	0.165
	73.025	23.812	25.654	19.050	3.6	0.8	2794R	2735X	0.344	0.134
36.512	76.200	29.370	28.575	23.020	3.6	0.8	HM89449	HM89411	0.386	0.258
	79.375	23.812	25.400	19.050	0.8	0.8	26877R	26822	0.404	0.186
	79.375	29.370	29.771	23.812	0.8	3.2	3479	3420	0.429	0.259
	85.725	30.162	30.162	23.812	0.8	3.2	3878	3820	0.605	0.285
38.000	63.000	17.000	17.000	13.500	SP	SP	JL69349	JL69310	0.128	0.070
38.100	63.500	12.700	11.908	9.525	1.6	0.8	13889	13830	0.104	0.045

inch series

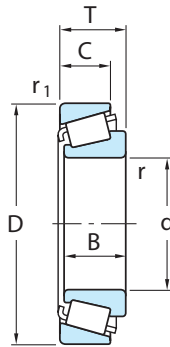
d 38.100 ~ 40.000 mm



d	Boundary dimensions (mm)						Bearing No.		(kg)	
	D	T	B	C	r ¹⁾ min.	r ₁ min.	Inner ring	Outer ring	Inner ring	Outer ring
38.100	65.088	12.700	11.908	9.525	1.6	0.8	13889	13836	0.104	0.046
	65.088	18.034	18.288	13.970	SP	1.2	LM29748	LM29710	0.154	0.079
	65.088	19.812	18.288	15.748	2.4	1.2	LM29749	LM29711	0.159	0.092
	69.012	19.050	19.050	15.083	2.0	2.4	13687	13621	0.191	0.102
	71.438	15.875	16.520	11.908	1.6	1.0	19150R	19281	0.167	0.105
	71.996	17.018	16.520	14.288	1.6	1.6	19150R	19283	0.167	0.132
	71.996	19.000	20.638	14.237	3.6	1.6	16150	16282	0.207	0.121
	72.238	20.638	20.638	15.875	3.6	1.2	16150	16284	0.207	0.144
	72.238	23.812	20.638	19.050	3.6	2.4	16150	16283	0.207	0.183
	73.025	23.812	25.654	19.050	3.6	0.8	2788R	2735X	0.308	0.134
	76.200	23.812	25.654	19.050	3.6	0.8	2788R	2729	0.308	0.189
	79.375	29.370	29.771	23.812	3.6	3.2	3490	3420	0.419	0.256
	80.035	21.432	20.940	15.875	1.6	1.6	28150	28317	0.285	0.201
	80.035	24.608	23.698	18.512	0.8	1.6	27880	27820	0.378	0.208
	80.035	24.608	23.698	18.512	3.6	1.6	27881	27820	0.378	0.208
	82.550	29.370	28.575	23.020	0.8	3.2	HM801346	HM801310	0.483	0.282
82.550	29.370	28.575	23.020	2.4	3.2	HM801346X	HM801310	0.483	0.282	
82.931	23.812	25.400	19.050	0.8	0.8	25572	25520	0.437	0.203	
88.501	26.988	29.083	22.225	3.6	1.6	418	414	0.523	0.325	
90.488	39.688	40.386	33.338	1.6	3.2	4375	4335	0.841	0.459	
101.600	34.925	36.068	26.988	3.6	3.2	525	522	1.05	0.411	
39.688	73.025	16.667	17.462	12.700	0.8	1.6	18587	18520	0.215	0.085
	73.025	23.812	25.654	19.050	3.6	0.8	2789R	2735X	0.288	0.134
	80.167	29.370	30.391	23.812	0.8	3.2	3386	3320	0.442	0.217
	84.138	29.370	30.391	23.812	3.6	3.2	3382	3328	0.438	0.312
40.000	76.200	20.638	20.940	15.507	1.6	1.2	28158	28300	0.266	0.137
	80.000	21.000	22.403	17.826	3.6	1.2	344	332	0.334	0.144

Single-row tapered roller bearings inch series

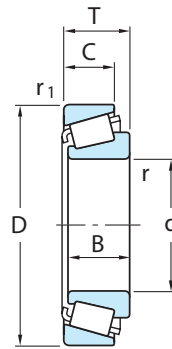
d 40.000 ~ 42.070 mm



d	Boundary dimensions (mm)						Bearing No.		(kg)	
	D	T	B	C	r min.	r ₁ min.	Inner ring	Outer ring	Inner ring	Outer ring
40.000	80.000	21.000	22.403	17.826	0.8	1.2	344A	332	0.334	0.144
	85.000	20.638	21.692	17.462	0.8	1.2	350A	354A	0.416	0.162
	88.501	26.988	29.083	22.225	3.6	1.6	420	414	0.465	0.325
	107.950	36.512	36.957	28.575	3.6	3.2	543	532X	1.17	0.570
40.483	82.550	29.370	28.575	23.020	3.6	3.2	HM801349	HM801310	0.450	0.282
41.275	73.025	16.667	17.462	12.700	3.6	1.6	18590	18520	0.199	0.085
	73.431	19.558	19.812	14.732	3.6	0.8	LM501349	LM501310	0.227	0.107
	73.431	21.430	19.812	16.604	3.6	0.8	LM501349	LM501314	0.227	0.126
	73.431	23.012	19.812	18.186	3.6	2.4	LM501349	LM501311	0.227	0.140
	76.200	18.009	17.384	14.288	1.6	1.6	11162R	11300	0.221	0.127
	76.200	22.225	23.020	17.462	3.6	0.8	24780R	24720	0.275	0.148
	80.000	21.000	22.403	17.826	0.8	1.2	336	332	0.325	0.144
	80.000	21.000	22.403	17.826	3.6	1.2	342	332	0.317	0.144
	82.550	26.543	25.654	20.193	3.6	3.2	M802048	M802011	0.403	0.227
	85.725	30.162	30.162	23.812	3.6	1.2	3877	3821	0.506	0.324
	87.312	30.162	30.886	23.812	0.8	3.2	3576R	3525	0.533	0.300
	88.501	26.988	29.083	22.225	3.6	1.6	419	414	0.441	0.325
	88.900	20.638	22.225	16.513	3.6	1.2	365A	362A	0.458	0.164
	88.900	30.162	29.370	23.020	0.8	3.2	HM803145	HM803110	0.577	0.318
	88.900	30.162	29.370	23.020	3.6	3.2	HM803146	HM803110	0.574	0.318
	90.488	39.688	40.386	33.338	3.6	3.2	4388	4335	0.775	0.454
93.662	31.750	31.750	26.195	0.8	3.2	46162	46368	0.695	0.403	
95.250	30.162	29.370	23.020	3.6	3.2	HM804840	HM804810	.719	0.351	
101.600	34.925	36.068	26.988	3.6	3.2	526	522	1.02	0.411	
104.775	36.512	36.512	28.575	1.6	3.2	HM807035	HM807010	1.19	0.497	
42.070	90.488	39.688	40.386	33.338	3.6	3.2	4395	4335	0.751	0.459

inch series

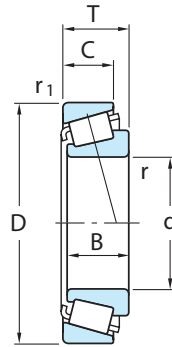
d 42.862 ~ 45.000 mm



d	Boundary dimensions (mm)						Bearing No.		(kg)	
	D	T	B	C	r min.	r ₁ min.	Inner ring	Outer ring	Inner ring	Outer ring
42.862	76.992	17.463	17.145	11.908	1.6	1.6	12168	12303	0.220	0.097
42.875	79.375	23.812	25.400	19.050	3.6	0.8	26884R	26822	0.314	0.186
	82.931	23.812	25.400	19.050	3.6	0.8	25577	25520	0.382	0.200
44.450	73.025	18.258	18.258	15.083	1.6	1.6	L102849	L102810	0.183	0.102
	76.992	17.463	17.145	11.908	1.6	1.6	12175	12303	0.206	0.097
	79.375	17.462	17.462	13.495	2.8	1.6	18685	18620	0.214	0.126
	82.931	23.812	25.400	19.050	5.2	0.8	25582	25520	0.361	0.200
	84.138	30.162	30.886	23.812	3.6	3.2	3578R	3520	0.479	0.221
	85.000	20.638	21.692	17.462	2.4	1.2	355	354A	0.344	0.160
	85.000	20.638	21.692	17.462	0.8	1.2	355A	354A	0.344	0.160
	88.900	30.162	29.370	23.020	3.6	3.2	HM803149	HM803110	0.525	0.318
	93.662	31.750	31.750	25.400	3.6	3.2	49175	49368	0.645	0.371
	93.662	31.750	31.750	26.195	0.8	3.2	46175	46368	0.609	0.403
	93.662	31.750	31.750	26.195	3.6	3.2	46176	46368	0.609	0.403
	95.250	27.783	28.575	22.225	0.8	2.4	33885	33821	0.714	0.264
	95.250	27.783	29.901	22.225	3.6	0.8	438	432A	0.555	0.375
	95.250	30.162	29.370	23.020	0.8	2.4	HM804842	HM804810	0.673	0.351
	95.250	30.162	29.370	23.020	3.6	2.4	HM804843	HM804810	0.670	0.351
	98.425	30.162	31.750	25.400	0.8	3.2	49576	49520	0.856	0.384
101.600	34.925	36.068	26.988	3.6	3.2	527	522	0.939	0.411	
104.775	36.512	36.512	28.575	3.6	3.2	HM807040	HM807010	1.13	0.497	
111.125	38.100	36.957	30.162	3.6	3.2	535	532A	1.09	0.746	
120.650	41.275	41.275	31.750	3.6	3.2	615	612	1.48	0.853	
44.983	93.264	30.162	30.302	23.812	3.6	3.2	3776	3720	0.650	0.288
45.000	85.000	20.638	21.692	17.462	1.6	1.2	358	354A	0.338	0.162

Single-row tapered roller bearings inch series

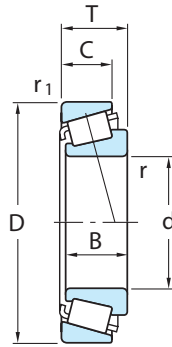
d 45.242 ~ 49.212 mm



d	Boundary dimensions (mm)						Bearing No.		(kg)	
	D	T	B	C	r min.	r ₁ min.	Inner ring	Outer ring	Inner ring	Outer ring
45.242	73.431	19.558	19.812	15.748	3.6	0.8	LM102949	LM102910	0.209	0.100
	77.788	19.842	19.842	15.080	3.6	0.8	LM603049	LM603011	0.243	0.120
	77.788	21.430	19.842	16.667	3.6	0.8	LM603049	LM603012	0.243	0.138
	79.974	19.842	19.842	15.080	3.6	0.8	LM603049	LM603014	0.243	0.152
45.618	85.000	23.812	25.400	19.050	3.6	2.4	25590	25526	0.344	0.241
45.987	74.976	18.000	18.000	14.000	2.4	1.6	LM503349R	LM503310	0.207	0.095
46.038	79.375	17.462	17.462	13.495	2.8	1.6	18690	18620	0.208	0.123
	85.000	20.638	21.692	17.462	3.6	1.2	359A	354A	0.323	0.160
	85.000	20.638	21.692	17.462	2.4	1.2	359S	354A	0.323	0.160
	85.000	25.400	25.608	20.638	3.6	1.2	2984	2924	0.389	0.220
47.625	88.900	20.638	22.225	16.513	3.6	1.2	369A	362A	0.373	0.164
	88.900	25.400	25.400	19.050	3.6	3.2	M804049	M804010	0.450	0.216
	95.250	30.162	29.370	23.020	3.6	3.2	HM804846	HM804810	0.617	0.351
	96.838	21.000	21.946	15.875	0.8	0.8	386A	382A	0.563	0.177
	101.600	34.925	36.068	26.988	3.6	3.2	528	522	0.871	0.411
	104.775	30.162	29.317	24.605	4.8	3.2	463	453X	0.838	0.372
	104.775	30.162	29.317	24.605	0.8	3.2	467	453X	0.844	0.372
48.412	104.775	30.162	30.958	23.812	3.6	3.2	45282	45220	0.940	0.345
	95.250	30.162	29.370	23.020	2.4	3.2	HM804848	HM804810	0.606	0.351
	95.250	30.162	29.370	23.020	3.6	3.2	HM804849	HM804810	0.604	0.351
49.212	88.900	20.638	22.225	16.513	0.8	1.2	365S	362A	0.366	0.164
	104.775	36.512	36.512	28.575	3.6	3.2	HM807044	HM807010	1.03	0.497
	114.300	44.450	44.450	34.925	3.6	3.2	65390	65320	1.28	0.894
	114.300	44.450	44.450	36.068	3.6	3.2	HH506348	HH506310	1.49	0.834

inch series

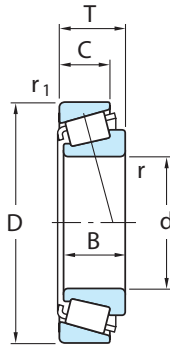
d 49.987 ~ 50.800 mm



d	Boundary dimensions (mm)						Bearing No.		(kg)	
	D	T	B	C	r min.	r ₁ min.	Inner ring	Outer ring	Inner ring	Outer ring
49.987	92.075	24.608	25.400	19.845	2.4	0.8	28579R	28521	0.463	0.247
50.000	82.000	21.501	21.501	17.000	3.0	0.5	JLM104948	JLM104910	0.304	0.128
	88.900	20.638	22.225	16.513	2.0	1.2	365	362A	0.346	0.164
	88.900	20.638	22.225	16.513	2.4	1.2	366	362A	0.351	0.166
	90.000	28.000	28.000	23.000	3.0	2.5	JM205149	JM205110	0.508	0.243
	105.000	37.000	36.000	29.000	3.0	2.8	JHM807045	JHM807012	1.01	0.523
	110.000	22.000	21.996	18.824	0.8	1.2	396	394A	0.777	0.264
50.800	80.962	18.258	18.258	14.288	1.6	1.6	L305649R	L305610	0.228	0.119
	82.550	21.590	22.225	16.510	3.6	1.2	LM104949	LM104911	0.287	0.131
	85.725	19.050	18.263	12.700	1.6	1.6	18200	18337	0.268	0.134
	88.900	17.462	17.462	13.495	3.6	1.2	18790	18724	0.226	0.190
	88.900	20.638	22.225	16.513	1.6	1.2	368	362A	0.333	0.164
	88.900	20.638	22.225	16.513	3.6	1.2	368A	362A	0.331	0.164
	88.900	20.638	22.225	16.513	5.2	1.2	370A	362A	0.326	0.164
	92.075	24.608	25.400	19.845	3.6	0.8	28580R	28521	0.453	0.247
	93.264	20.638	22.225	15.083	2.4	1.2	375	374	0.416	0.174
	93.264	30.162	30.302	23.812	3.6	3.2	3780	3720	0.547	0.288
	93.264	30.162	30.302	23.812	3.6	0.8	3780	3730	0.547	0.293
	95.250	27.783	28.575	22.225	3.6	0.8	33889	33822	0.604	0.267
	96.838	21.000	21.946	15.875	0.8	0.8	385AX	382A	0.521	0.177
	97.630	24.608	24.608	19.446	3.6	0.8	28678	28622	0.569	0.267
	98.425	30.162	30.302	23.812	3.6	3.2	3780	3732	0.547	0.433
	101.600	31.750	31.750	25.400	3.6	3.2	49585	49520	0.736	0.384
	101.600	34.925	36.068	26.988	0.8	3.2	529	522	0.806	0.411
	101.600	34.925	36.068	26.988	3.6	3.2	529X	522	0.802	0.411
	104.775	30.162	30.958	23.812	6.4	3.2	45284	45220	0.873	0.345
	104.775	36.512	36.512	28.575	3.6	3.2	59200	59412	0.767	0.623

Single-row tapered roller bearings inch series

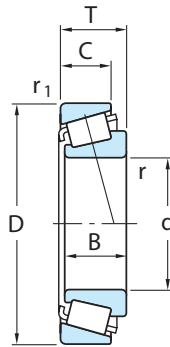
d 50.800 ~ 55.000 mm



d	Boundary dimensions (mm)						Bearing No.		(kg)	
	D	T	B	C	r min.	r ₁ min.	Inner ring	Outer ring	Inner ring	Outer ring
50.800	104.775	36.512	36.512	28.575	3.6	3.2	HM807046	HM807010	0.995	0.497
	104.775	39.688	40.157	33.338	3.6	3.2	4580	4535	1.06	0.576
	107.950	36.512	36.957	28.575	3.6	3.2	537	532X	0.969	0.569
	112.712	30.162	30.162	23.812	3.6	3.2	39575	39520	1.13	0.355
	120.650	41.275	41.275	31.750	3.6	3.2	619	612	1.44	0.853
	127.000	44.450	44.450	34.925	3.6	3.2	65200	65500	1.86	1.03
51.592	88.900	20.638	22.225	16.513	2.0	1.2	368S	362A	0.321	0.164
52.388	92.075	24.608	25.400	19.845	3.6	0.8	28584R	28521	0.435	0.247
	104.775	30.162	29.317	24.605	1.6	3.2	468	453X	0.748	0.372
53.975	88.900	19.050	19.050	13.492	2.4	2.0	LM806649	LM806610	0.312	0.135
	95.250	27.783	28.575	22.225	1.6	0.8	33895	33822	0.550	0.267
	104.775	30.162	29.317	24.605	3.6	3.2	456	453X	0.728	0.372
	104.775	36.512	36.512	28.575	3.6	3.2	HM807049	HM807010	0.921	0.497
	104.775	39.688	40.157	33.338	3.6	3.2	4595	4535	0.981	0.576
	107.950	36.512	36.957	28.575	3.6	3.2	539	532X	0.894	0.569
	107.950	36.512	36.957	28.575	5.6	3.2	539A	532X	0.861	0.569
	117.475	33.338	31.750	23.812	3.6	3.2	66212R	66462	1.03	0.552
	120.650	41.275	41.275	31.750	3.6	3.2	621	612	1.36	0.853
	122.238	33.338	31.750	23.812	3.6	3.2	66584	66520	1.25	0.551
	122.238	43.658	43.764	36.512	3.6	3.2	5578R	5535	1.84	0.807
	123.825	38.100	36.678	30.162	3.6	3.2	557S	552A	1.47	0.756
127.000	44.450	44.450	34.925	3.6	3.2	65212	65500	1.78	1.02	
54.988	104.775	30.162	29.317	24.605	2.4	3.2	466	453X	0.708	0.372
54.991	135.755	53.975	56.007	44.450	3.6	3.2	6381	6320	2.75	1.37
55.000	90.000	23.000	23.000	18.500	1.6	0.5	JLM506849	JLM506810	0.370	0.183

inch series

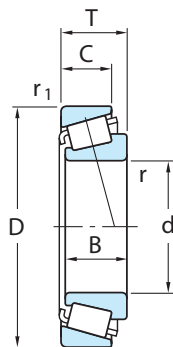
d 55.000 ~ 60.000 mm



d	Boundary dimensions (mm)						Bearing No.		(kg)	
	D	T	B	C	r min.	r ₁ min.	Inner ring	Outer ring	Inner ring	Outer ring
55.000	95.000	29.000	29.000	23.500	1.6	2.8	JM207049	JM207010	0.567	0.256
	96.838	21.000	21.946	15.875	2.4	0.8	385	382A	0.461	0.177
	96.838	21.000	21.946	15.875	3.6	0.8	385X	382A	0.459	0.177
	110.000	39.000	39.000	32.000	3.0	2.5	JH307749	JH307710	1.16	0.560
55.562	97.630	24.608	24.608	19.446	3.6	0.8	28680	28622	0.492	0.267
	122.238	43.658	43.764	36.512	1.2	3.2	5566R	5535	1.82	0.807
	127.000	36.512	36.512	26.988	3.6	3.2	HM813840	HM813810	1.72	0.606
55.575	96.838	21.000	21.946	15.875	2.4	0.8	389	382A	0.452	0.177
57.150	96.838	21.000	21.946	15.875	2.4	0.8	387	382A	0.428	0.177
	96.838	21.000	21.946	15.875	3.6	0.8	387A	382A	0.426	0.177
	96.838	21.000	21.946	15.875	5.2	0.8	387AS	382A	0.422	0.177
	96.838	21.000	21.946	15.875	0.8	0.8	387S	382A	0.431	0.177
	98.425	21.000	21.946	17.826	2.4	0.8	387	382	0.428	0.223
	104.775	30.162	29.317	24.605	2.4	3.2	462	453X	0.685	0.372
	104.775	30.162	29.317	24.605	3.6	3.2	469	453X	0.682	0.372
	104.775	30.162	30.958	23.812	6.4	0.8	45291	45221	0.742	0.350
	112.712	30.162	30.048	23.812	3.6	3.2	3979	3920	0.916	0.448
	112.712	30.162	30.162	23.812	3.6	3.2	39580	39520	1.05	0.355
	112.712	30.162	30.162	23.812	7.9	3.2	39581	39520	1.03	0.355
57.531	117.475	30.162	30.162	23.812	3.6	3.2	33225	33462	1.13	0.442
	120.650	41.275	41.275	31.750	3.6	3.2	623	612	1.27	0.853
	127.000	44.450	44.450	34.925	3.6	3.2	65225	65500	1.69	1.02
	96.838	21.000	21.946	15.875	3.6	0.8	388A	382A	0.420	0.177
	59.972	122.238	33.338	31.750	23.812	0.8	3.2	66589	66520	1.11
60.000	95.000	24.000	24.000	19.000	5.0	2.5	JLM508748	JLM508710	0.402	0.196

Single-row tapered roller bearings inch series

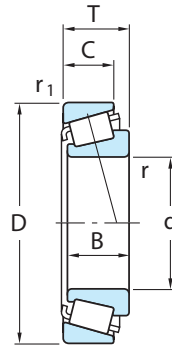
d 60.000 ~ 65.000 mm



d	Boundary dimensions (mm)						Bearing No.		(kg)	
	D	T	B	C	r min.	r ₁ min.	Inner ring	Outer ring	Inner ring	Outer ring
60.000	107.950	25.400	25.400	19.050	3.6	3.2	29580	29520	0.713	0.277
	110.000	22.000	21.996	18.824	0.8	1.2	397	394A	0.637	0.259
60.325	100.000	25.400	25.400	19.845	3.6	3.2	28985	28921	0.533	0.230
	101.600	25.400	25.400	19.845	3.6	3.2	28985	28920	0.533	0.269
	122.238	43.658	43.764	36.512	3.6	3.2	5583R	5535	1.66	0.807
	127.000	36.512	36.512	26.988	3.6	1.6	HM813841	HM813811	1.60	0.622
	127.000	36.512	36.512	26.988	1.6	3.2	HM813841A	HM813810	1.62	0.606
	127.000	44.450	44.450	34.925	3.6	3.2	65237	65500	1.59	1.02
	127.000	44.450	44.450	34.925	1.6	3.2	65237A	65500	1.59	1.02
	136.525	46.038	46.038	36.512	3.6	3.2	H715332	H715311	2.56	0.950
61.912	110.000	22.000	21.996	18.824	0.8	1.2	392	394A	0.606	0.259
63.500	107.950	25.400	25.400	19.050	1.6	3.2	29586	29520	0.649	0.277
	110.000	22.000	21.996	18.824	1.6	1.2	390A	394A	0.579	0.259
	110.000	22.000	21.996	18.824	3.6	1.2	395	394A	0.575	0.259
	110.000	25.400	25.400	19.050	3.6	1.2	29585	29521	0.644	0.333
	112.712	30.162	30.162	23.812	3.6	3.2	39585	39520	0.908	0.355
	120.000	29.794	29.007	24.237	0.8	2.0	477	472	0.967	0.493
	122.238	38.354	38.100	29.718	3.6	3.2	HM212046	HM212011	1.36	0.591
	122.238	43.658	43.764	36.512	3.6	3.2	5584R	5535	1.56	0.807
	127.000	36.512	36.170	28.575	3.6	3.2	565	563	1.43	0.648
	135.755	53.975	56.007	44.450	4.3	3.2	6382	6320	2.29	1.39
	136.525	41.275	41.275	31.750	3.6	3.2	H414235	H414210	2.11	0.796
64.986	112.712	30.162	30.924	23.812	2.4	3.2	39586	39520	0.845	0.355
65.000	105.000	24.000	23.000	18.500	3.0	1.0	JLM710949	JLM710910	0.513	0.234
	110.000	28.000	28.000	22.500	3.0	2.8	JM511946	JM511910	0.733	0.338

inch series

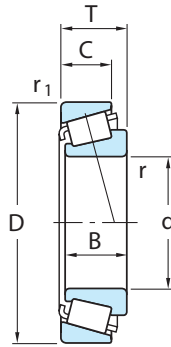
d 65.000 ~ 68.262 mm



d	Boundary dimensions (mm)						Bearing No.		(kg)	
	D	T	B	C	r min.	r ₁ min.	Inner ring	Outer ring	Inner ring	Outer ring
65.000	120.000	39.000	38.500	32.000	3.0	2.8	JH211749	JH211710	1.27	0.618
	120.000	39.000	38.500	32.000	7.1	2.8	JH211749A	JH211710	1.27	0.618
65.088	135.755	53.975	56.007	44.450	3.6	3.2	6379	6320	2.34	1.37
	136.525	46.038	46.038	36.512	3.6	3.2	H715340	H715311	2.39	0.950
65.883	122.238	43.658	43.764	36.512	3.6	3.2	5595R	5535	1.48	0.807
66.675	110.000	22.000	21.996	18.824	0.8	1.2	395A	394A	0.524	0.259
	110.000	22.000	21.996	18.824	3.6	1.2	395S	394A	0.519	0.259
	112.712	30.162	30.048	23.812	3.6	0.8	3984	3925	0.700	0.454
	112.712	30.162	30.162	23.812	3.6	3.2	39590	39520	0.832	0.355
	112.712	30.162	30.162	23.812	3.6	0.8	39590	39521	0.832	0.360
	117.475	30.162	30.162	23.812	3.6	3.2	33262	33462	0.910	0.436
	122.238	38.100	38.354	29.718	3.6	1.6	HM212049	HM212010	1.26	0.596
	127.000	36.512	36.512	26.988	3.6	1.6	HM813844	HM813811	1.42	0.622
	130.175	41.275	41.275	31.750	3.6	3.2	641	633	1.68	0.703
	135.755	53.975	56.007	44.450	4.3	3.2	6386	6320	2.27	1.37
	135.755	53.975	56.007	44.450	6.4	3.2	6389	6320	2.15	1.37
	136.525	41.275	41.275	31.750	3.6	3.2	H414242	H414210	2.01	0.796
	136.525	46.038	46.038	36.512	3.6	3.2	H715341	H715311	2.33	0.950
	68.262	110.000	22.000	21.996	18.824	2.4	1.2	399A	394A	0.493
110.000		22.000	21.996	18.824	5.2	1.2	399AS	394A	0.485	0.259
117.475		30.162	30.162	23.812	3.6	3.2	33269	33462	0.870	0.436
127.000		36.512	36.170	28.575	3.6	3.2	570	563	1.29	0.648
136.525		41.275	41.275	31.750	3.6	3.2	H414245	H414210	1.92	0.788
136.525		46.038	46.038	36.512	3.6	3.2	H715343	H715311	2.27	0.950
152.400		47.625	46.038	31.750	3.6	3.2	9185	9121	2.67	1.20

Single-row tapered roller bearings inch series

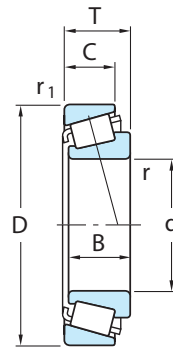
d 69.850 ~ 73.025 mm



d	Boundary dimensions (mm)						Bearing No.		(kg)	
	D	T	B	C	r min.	r ₁ min.	Inner ring	Outer ring	Inner ring	Outer ring
69.850	98.425	13.495	13.495	9.525	1.6	1.6	LL713049	LL713010	0.205	0.086
	112.712	22.225	21.996	15.875	1.6	0.8	LM613449	LM613410	0.562	0.238
	112.712	25.400	25.400	19.050	1.6	3.2	29675	29620	0.676	0.270
	117.475	30.162	30.162	23.812	3.6	3.2	33275	33462	0.830	0.436
	120.000	29.002	29.007	23.444	3.6	3.2	482	472A	0.791	0.462
	120.000	29.794	29.007	24.237	3.6	2.0	482	472	0.791	0.487
	120.000	32.545	32.545	26.195	3.6	3.2	47487R	47420	1.01	0.476
	120.650	32.545	32.545	26.195	3.6	0.8	47487R	47423	1.01	0.513
	123.825	30.162	29.007	24.605	3.6	3.2	482	472X	0.791	0.625
	127.000	36.512	36.170	28.575	3.6	3.2	566	563	1.24	0.648
	146.050	41.275	41.275	31.750	3.6	3.2	655	653	2.35	0.891
	150.089	44.450	46.672	36.512	3.6	3.2	745AR	742	2.79	1.07
	168.275	53.975	56.363	41.275	3.6	3.2	835R	832	4.32	1.72
69.952	121.442	24.608	23.012	17.462	2.0	2.0	34274	34478	0.764	0.316
70.000	110.000	26.000	25.000	20.500	1.0	2.5	JLM813049	JLM813010	0.590	0.300
	115.000	29.000	29.000	23.000	3.0	2.5	JM612949	JM612910	0.776	0.358
71.438	117.475	30.162	30.162	23.812	3.6	3.2	33281	33462	0.789	0.436
	120.000	32.545	32.545	26.195	3.6	3.2	47490R	47420	0.964	0.476
	127.000	36.512	36.170	28.575	3.6	3.2	567A	563	1.19	0.648
	127.000	36.512	36.512	26.988	3.6	1.6	HM813849	HM813811	1.28	0.622
	136.525	41.275	41.275	31.750	3.6	3.2	H414249	H414210	1.80	0.788
	136.525	46.038	46.038	36.512	3.6	3.2	H715345	H715311	2.15	0.950
73.025	112.712	25.400	25.400	19.050	3.6	3.2	29685	29620	0.602	0.270
	117.475	30.162	30.162	23.812	3.6	3.2	33287	33462	0.747	0.436
	127.000	36.512	36.170	28.575	3.6	3.2	567	563	1.14	0.648
	139.992	36.512	36.098	28.575	3.6	3.2	576R	572	1.74	0.779

inch series

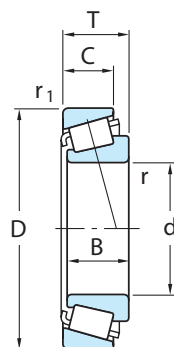
d 73.025 ~ 76.200 mm



d	Boundary dimensions (mm)						Bearing No.		(kg)	
	D	T	B	C	r min.	r ₁ min.	Inner ring	Outer ring	Inner ring	Outer ring
73.025	146.050	41.275	41.275	31.750	3.6	3.2	657	653	2.28	0.880
	149.225	53.975	54.229	44.450	3.6	3.2	6460	6420	2.79	1.61
	150.089	44.450	46.672	36.512	3.6	3.2	744R	742	2.66	1.07
	161.925	47.625	48.260	38.100	3.6	3.2	762	752	3.18	1.61
73.817	112.712	25.400	25.400	19.050	1.6	3.2	29688	29620	0.588	0.270
	127.000	36.512	36.170	28.575	0.8	3.2	568	563	1.12	0.648
74.612	139.992	36.512	36.098	28.575	3.6	3.2	577R	572	1.69	0.779
75.000	115.000	25.000	25.000	19.000	3.0	2.8	JLM714149	JLM714110	0.612	0.269
	120.000	31.000	29.500	25.000	3.0	2.8	JM714249	JM714210	0.846	0.430
	145.000	51.000	51.000	42.000	3.0	2.5	JH415647	JH415610	2.66	1.18
76.200	121.442	24.608	23.012	17.462	3.6	2.0	34301	34478	0.617	0.313
	127.000	30.162	31.000	22.225	3.6	3.2	42687	42620	1.05	0.434
	127.000	30.162	31.000	22.225	6.4	3.2	42688	42620	1.04	0.434
	133.350	30.162	29.769	22.225	6.4	3.2	495AX	492A	1.20	0.430
	133.350	33.338	33.338	26.195	6.4	3.2	47678R	47620	1.29	0.577
	133.350	33.338	33.338	26.195	0.8	3.2	47680R	47620	1.39	0.577
	135.733	44.450	46.101	34.925	3.6	3.2	5760	5735	1.85	0.877
	136.525	30.162	29.769	22.225	3.6	3.2	495A	493	1.26	0.544
	139.992	36.512	36.098	28.575	3.6	3.2	575R	572	1.64	0.779
	139.992	36.512	36.098	28.575	6.7	3.2	575SR	572	1.61	0.779
	149.225	53.975	54.229	44.450	3.6	3.2	6461	6420	2.64	1.61
	149.225	53.975	54.229	44.450	9.5	3.2	6461A	6420	2.60	1.61
	150.089	44.450	46.672	36.512	3.6	3.2	748SR	742	2.51	1.06
	152.400	41.275	41.275	31.750	3.6	3.2	659	652	2.16	1.25
	190.500	57.150	57.531	46.038	3.6	3.2	HH221430	HH221410	6.33	2.21

Single-row tapered roller bearings inch series

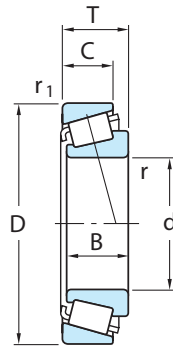
d 77.788 ~ 83.345 mm



d	Boundary dimensions (mm)						Bearing No.		(kg)	
	D	T	B	C	r min.	r ₁ min.	Inner ring	Outer ring	Inner ring	Outer ring
77.788	117.475	25.400	25.400	19.050	3.6	3.2	LM814849	LM814810	0.619	0.295
	121.442	24.608	23.012	17.462	3.6	2.0	34306	34478	0.583	0.313
	121.442	24.608	23.012	17.462	6.4	2.0	34307	34478	0.571	0.313
	127.000	30.162	31.000	22.225	3.6	3.2	42690	42620	1.00	0.434
79.375	146.050	41.275	41.275	31.750	3.6	3.2	661	653	2.04	0.880
	161.925	47.625	48.260	38.100	7.9	3.2	756A	752	2.95	1.59
	190.500	57.150	57.531	46.038	3.6	3.2	HH221431	HH221410	6.16	2.21
80.000	130.000	35.000	34.000	28.500	3.2	2.5	JM515649	JM515610	1.19	0.575
	200.000	52.761	49.212	34.925	3.6	3.2	98316	98788	5.73	2.28
80.962	133.350	30.162	29.769	22.225	3.6	3.2	496	492A	1.12	0.429
	133.350	33.338	33.338	26.195	3.6	3.2	47681R	47620	1.17	0.577
	139.992	36.512	36.098	28.575	3.6	3.2	581R	572	1.47	0.779
	150.089	44.450	46.672	36.512	5.2	3.2	740R	742	2.30	1.06
82.550	125.412	25.400	25.400	19.845	3.6	1.6	27687	27620	0.710	0.344
	133.350	30.162	29.769	22.225	3.6	3.2	495	492A	1.08	0.429
	133.350	33.338	33.338	26.195	3.6	0.8	47686R	47620A	1.13	0.577
	133.350	39.688	39.688	32.545	6.7	3.2	HM516448	HM516410	1.33	0.763
	139.700	36.512	36.098	28.575	3.6	3.2	580R	572X	1.41	0.765
	139.992	36.512	36.098	28.575	3.6	3.2	580R	572	1.41	0.779
	139.992	36.512	36.098	28.575	6.7	3.2	582R	572	1.40	0.779
	146.050	41.275	41.275	31.750	3.6	3.2	663	653	1.91	0.880
	150.089	44.450	46.672	36.512	3.6	3.2	749AR	742	2.23	1.06
	150.089	44.450	46.672	36.512	6.7	3.2	750AR	742	2.19	1.06
161.925	47.625	48.260	38.100	3.6	3.2	757	752	2.83	1.59	
83.345	125.412	25.400	25.400	19.845	0.8	1.6	27689	27620	0.746	0.344

inch series

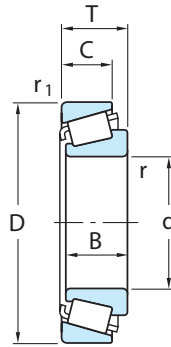
d 83.345 ~ 88.900 mm



d	Boundary dimensions (mm)						Bearing No.		(kg)	
	D	T	B	C	r min.	r ₁ min.	Inner ring	Outer ring	Inner ring	Outer ring
83.345	125.412	25.400	25.400	19.845	3.6	1.6	27690	27620	0.689	0.344
	125.412	25.400	25.400	19.845	6.4	1.6	27691	27620	0.646	0.344
84.138	133.350	30.162	29.769	22.225	3.6	3.2	498	492A	1.04	0.429
85.000	130.000	30.000	29.000	24.000	3.0	2.5	JM716649	JM716610	0.937	0.456
	140.000	39.000	38.000	31.500	3.0	2.5	JHM516849	JHM516810	1.54	0.759
	150.000	46.000	46.000	38.000	3.0	2.5	JH217249	JH217210	2.28	1.08
	200.000	52.761	49.212	34.925	3.6	3.2	98335	98788	5.47	2.28
85.026	150.089	44.450	46.672	36.512	3.6	3.2	749R	742	2.12	1.06
	150.089	44.450	46.672	36.512	5.2	3.2	749SR	742	2.08	1.06
85.725	133.350	30.162	29.769	22.225	3.6	3.2	497	492A	0.978	0.429
	136.525	30.162	29.769	22.225	6.4	3.2	497A	493	0.965	0.544
	142.138	42.862	42.862	34.133	4.8	3.2	HM617049	HM617010	1.72	0.902
	146.050	41.275	41.275	31.750	3.6	3.2	665	653	1.77	0.880
	146.050	41.275	41.275	31.750	6.4	3.2	665A	653	1.76	0.880
	152.400	39.688	36.322	30.162	3.6	3.2	596	592A	1.83	1.04
	161.925	47.625	48.260	38.100	3.6	3.2	758	752	2.67	1.59
	168.275	41.275	41.275	30.162	3.6	3.2	677	672	2.89	1.22
168.275	53.975	56.363	41.275	3.6	3.2	841R	832	3.47	1.72	
88.900	123.825	20.638	20.638	16.670	1.6	1.6	L217849	L217810	0.507	0.235
	152.400	39.688	39.688	30.162	6.4	3.2	HM518445	HM518410	2.10	0.768
	161.925	47.625	48.260	38.100	3.6	3.2	759	752	2.50	1.59
	161.925	47.625	48.260	38.100	7.1	3.2	766	752	2.48	1.59
	161.925	53.975	55.100	42.862	3.6	3.2	6580R	6535	3.09	1.65
	168.275	41.275	41.275	30.162	3.6	3.2	679	672	2.75	1.22
	190.500	57.150	57.531	44.450	7.9	3.2	855R	854	5.05	2.66

Single-row tapered roller bearings inch series

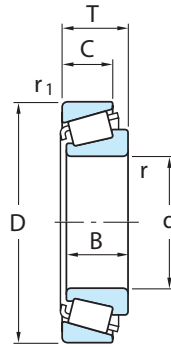
d 88.900 ~ 99.975 mm



d	Boundary dimensions (mm)						Bearing No.		(kg)	
	D	T	B	C	r min.	r ₁ min.	Inner ring	Outer ring	Inner ring	Outer ring
88.900	190.500	57.150	57.531	46.038	7.9	3.2	HH221434	HH221410	5.57	2.21
	200.000	52.761	49.212	34.925	3.6	3.2	98350	98788	5.27	2.28
89.974	146.975	40.000	40.000	32.500	7.1	3.6	HM218248	HM218210	1.66	0.784
90.000	145.000	35.000	34.000	27.000	3.0	2.5	JM718149	JM718110	1.47	0.652
	155.000	44.000	44.000	35.500	3.0	2.5	JHM318448	JHM318410	2.37	1.00
	161.925	53.975	55.100	42.862	3.0	3.2	6581XR	6535	3.02	1.65
90.488	161.925	47.625	48.260	38.100	3.6	3.2	760	752	2.42	1.59
92.075	146.050	33.338	34.925	26.195	3.6	3.2	47890R	47820	1.46	0.657
	168.275	41.275	41.275	30.162	3.6	3.2	681	672	2.61	1.22
	168.275	41.275	41.275	30.162	6.4	3.2	681A	672	2.60	1.22
	180.975	47.625	48.006	38.100	3.6	3.2	778	772	3.65	1.92
	190.500	57.150	57.531	44.450	7.9	3.2	857R	854	4.86	2.66
95.000	150.000	35.000	34.000	27.000	3.0	2.5	JM719149	JM719113	1.43	0.766
95.250	128.588	15.875	15.083	11.908	1.6	1.6	LL319349	LL319310	0.393	0.147
	130.175	20.638	21.432	16.670	1.6	1.6	L319249	L319210	0.548	0.246
	146.050	33.338	34.925	26.195	3.6	3.2	47896R	47820	1.34	0.657
	147.638	35.717	36.322	26.192	5.2	0.8	594A	592XE	1.45	0.620
	157.162	36.512	36.116	26.195	3.6	3.2	52375	52618	1.94	0.694
	168.275	41.275	41.275	30.162	3.6	3.2	683	672	2.46	1.22
	190.500	57.150	57.531	44.450	7.9	3.2	864R	854	4.64	2.66
	190.500	57.150	57.531	46.038	7.9	3.2	HH221440	HH221410	5.16	2.21
98.425	168.275	41.275	41.275	30.162	3.6	3.2	685	672	2.29	1.22
	190.500	57.150	57.531	46.038	3.6	3.2	HH221442	HH221410	4.97	2.21
99.975	212.725	66.675	66.675	53.975	3.6	3.2	HH224334	HH224310	7.91	3.03

inch series

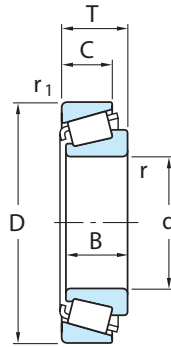
d 99.982 ~ 107.950 mm



d	Boundary dimensions (mm)						Bearing No.		(kg)	
	D	T	B	C	r min.	r ₁ min.	Inner ring	Outer ring	Inner ring	Outer ring
99.982	190.500	57.150	57.531	46.038	6.4	3.2	HH221447	HH221410	4.84	2.21
100.000	155.000	36.000	35.000	28.000	3.0	2.5	JM720249	JM720210	1.64	0.763
	160.000	41.000	40.000	32.000	3.0	2.5	JHM720249	JHM720210	2.11	0.964
100.012	157.162	36.512	36.116	26.195	3.6	3.2	52393	52618	1.74	0.694
101.600	157.162	36.512	36.116	26.195	3.6	3.2	52400	52618	1.67	0.694
	157.162	36.512	36.116	26.195	7.9	3.2	52401	52618	1.64	0.694
	168.275	41.275	41.275	30.162	3.6	3.2	687	672	2.15	1.22
	180.975	47.625	48.006	38.100	3.6	3.2	780	772	3.09	1.92
	190.500	57.150	57.531	44.450	7.9	3.2	861R	854	4.20	2.66
	190.500	57.150	57.531	46.038	7.9	3.2	HH221449	HH221410	4.72	2.21
	200.000	52.761	49.212	34.925	3.6	3.2	98400	98788	4.55	2.28
	212.725	66.675	66.675	53.975	7.1	3.2	941	932	7.07	4.07
	212.725	66.675	66.675	53.975	7.1	3.2	HH224335	HH224310	7.76	3.03
104.775	180.975	47.625	48.006	38.100	3.6	3.2	782	772	2.90	1.92
	180.975	47.625	48.006	38.100	6.4	3.2	786	772	2.88	1.92
	180.975	47.625	48.006	38.100	7.1	3.2	787	772	2.87	1.92
	190.500	47.625	49.212	34.925	3.6	3.2	71412	71750	3.96	1.72
106.362	165.100	36.512	36.512	26.988	3.6	3.2	56418R	56650	1.84	0.852
107.950	146.050	21.432	21.432	16.670	1.6	1.6	L521949R	L521910	0.665	0.325
	158.750	23.020	21.438	15.875	3.6	3.2	37425	37625	0.893	0.484
	159.987	34.925	34.925	26.988	3.6	3.2	LM522546	LM522510	1.64	0.784
	161.925	34.925	34.925	26.988	3.6	3.2	48190	48120	1.57	0.820
	165.100	36.512	36.512	26.988	3.6	3.2	56425R	56650	1.76	0.852
	168.275	36.512	36.512	26.988	3.6	3.2	56425R	56662	1.76	1.03
	190.500	47.625	49.212	34.925	3.6	3.2	71425	71750	3.76	1.72

Single-row tapered roller bearings inch series

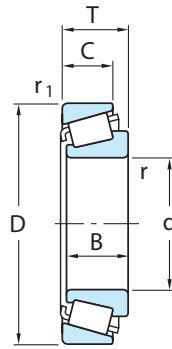
d 107.950 ~ 127.000 mm



d	Boundary dimensions (mm)						Bearing No.		(kg)	
	D	T	B	C	r min.	r ₁ min.	Inner ring	Outer ring	Inner ring	Outer ring
107.950	212.725	66.675	66.675	53.975	7.9	3.2	936	932	6.52	4.07
	212.725	66.675	66.675	53.975	7.9	3.2	HH224340	HH224310	7.21	3.03
109.538	158.750	23.020	21.438	15.875	6.4	6.4	37431	37625	0.848	0.484
109.987	159.987	34.925	34.925	26.988	7.9	3.2	LM522548	LM522510	1.52	0.784
	159.987	34.925	34.925	26.988	3.6	3.2	LM522549	LM522510	1.55	0.784
109.992	177.800	41.275	41.275	30.162	3.6	3.2	64433R	64700	2.69	1.10
110.000	165.000	35.000	35.000	26.500	3.0	2.5	JM822049	JM822010	1.64	0.826
	180.000	47.000	46.000	38.000	3.0	2.5	JHM522649	JHM522610	3.08	1.49
114.300	177.800	41.275	41.275	30.162	3.6	3.2	64450R	64700	2.45	1.10
	180.975	34.925	31.750	25.400	3.6	3.2	68450	68712	1.89	1.04
	190.500	47.625	49.212	34.925	3.6	3.2	71450	71750	3.33	1.72
	212.725	66.675	66.675	53.975	7.1	3.2	938	932	5.96	4.07
	212.725	66.675	66.675	53.975	7.1	3.2	HH224346	HH224310	6.64	3.03
	273.050	82.550	82.550	53.975	6.4	6.4	HH926744	HH926710	15.0	6.97
114.976	212.725	66.675	66.675	53.975	7.1	3.2	HH224349	HH224310	6.58	3.03
115.087	190.500	47.625	49.212	34.925	3.6	3.2	71453	71750	3.28	1.72
	190.500	47.625	49.212	34.925	7.9	3.2	71455	71750	3.25	1.72
117.475	180.975	34.925	31.750	25.400	3.6	3.2	68462	68712	1.75	1.04
	180.975	34.925	31.750	25.400	7.9	3.2	68463	68712	1.61	1.05
120.650	190.500	46.038	46.038	34.925	3.6	1.6	HM624749	HM624710	3.20	1.44
	254.000	77.788	82.550	61.912	9.5	6.4	HH228340	HH228310	12.6	6.00
127.000	254.000	77.788	82.550	61.912	9.5	6.4	HH228349	HH228310	11.8	6.00

inch series

d 133.350 ~ 292.100 mm



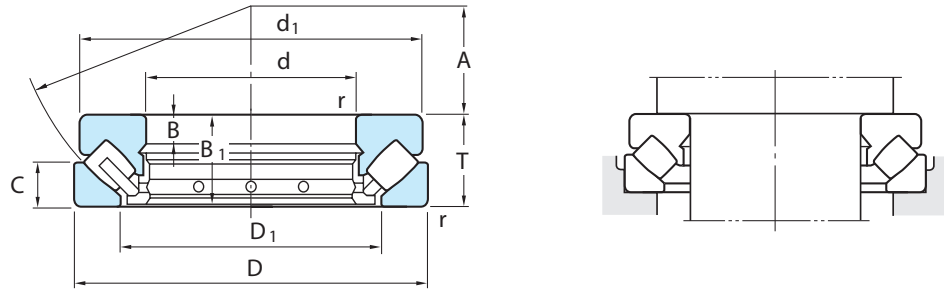
d	Boundary dimensions (mm)						Bearing No.			
	D	T	B	C	r min.	r ₁ min.	Inner ring	Outer ring	(kg)	
									Inner ring	Outer ring
133.350	177.008	25.400	26.195	20.638	1.6	1.6	L327249	L327210	1.14	0.543
142.875	200.025	41.275	39.688	34.130	7.9	3.3	48684	48620	2.43	1.38
	200.025	41.275	39.688	34.130	3.6	3.3	48685	48620	2.46	1.38
170.000	230.000	39.000	38.000	31.000	3.0	2.5	JHM534149	JHM534110	3.17	1.29
	240.000	46.000	44.500	37.000	3.0	2.5	JM734449	JM734410	4.31	2.00
171.450	222.250	25.400	24.608	19.050	1.6	1.6	L435049	L435010	1.63	0.697
180.000	250.000	47.000	45.000	37.000	3.0	2.5	JM736149	JM736110	4.47	2.10
190.000	260.000	46.000	44.000	36.500	3.0	2.5	JM738249	JM738210	4.71	2.18
196.850	254.000	28.575	27.783	21.433	1.6	1.6	L540049	L540010	2.34	1.02
200.000	300.000	65.000	62.000	51.000	3.6	2.5	JHM840449	JHM840410	9.97	5.13
220.878	317.500	47.625	52.388	36.513	3.2	3.2	LM245833	LM245810	9.56	2.78
228.600	358.775	71.438	71.438	53.975	3.6	3.2	M249732	M249710	20.1	6.44
230.188	317.500	47.625	52.388	36.513	3.2	3.2	LM245846	LM245810	8.25	2.78
231.775	317.500	47.625	52.388	36.513	3.2	3.2	LM245848	LM245810	8.02	2.78
	336.550	65.088	65.088	50.800	6.4	3.2	M246942	M246910	13.1	5.44
	358.775	71.438	71.438	53.975	6.4	3.2	M249734	M249710	19.9	6.44
254.000	358.775	71.438	71.438	53.975	3.6	3.2	M249749	M249710	14.8	6.44
257.175	342.900	57.150	57.150	44.450	6.4	3.2	M349549	M349510	9.27	3.99
292.100	374.650	47.625	47.625	34.925	3.6	3.2	L555249	L555210	7.97	3.53



Spherical thrust roller bearings

Spherical thrust roller bearings

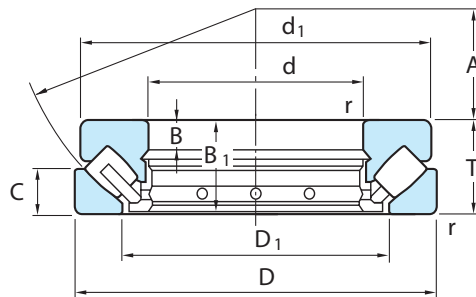
d 60 ~ 160 mm



Boundary dimensions (mm)				Bearing No.	Dimensions (mm)						
d	D	T	r min.		d_1	D_1	B	B_1	C	A	(kg)
60	130	42	1.5	29412	123	89	15	39.5	20	3	2.75
65	140	45	2	29413	133	96	16	42.5	21	42	3.41
70	150	48	2	29414	142	103	17	45.5	23	44	4.16
75	160	51	2	29415	152	109	18	48	24	47	4.98
80	170	54	2.1	29416	162	117	19	51	26	50	5.95
85	150	39	1.5	29317	143.5	114	13	37	19	50	2.87
	180	58	2.1	29417	170	125	21	55	28	54	7.19
90	155	39	1.5	29318	148.5	117	13	37	19	52	3.06
	190	60	2.1	29418	180	132	22	57	29	56	8.28
100	170	42	1.5	29320	163	129	14	40	20.8	58	3.91
	210	67	3	29420	200	146	24	64	32	62	11.2
110	190	48	2	29322	182	143	16	45.5	23	64	5.67
	230	73	3	29422	220	162	26	69	35	69	14.7
120	210	54	2.1	29324	200	159	18	51	26	70	7.90
	250	78	4	29424	236	174	29	74	37	74	18.5
130	225	58	2.1	29326	215	171	19	55	28	76	9.45
	270	85	4	29426	255	189	31	81	41	81	23.5
140	240	60	2.1	29328	230	183	20	57	29	82	11.1
	280	85	4	29428	268	199	31	81	41	86	24.6
150	250	60	2.1	29330	240	194	20	57	29	87	11.7
	300	90	4	29430	285	214	32	86	44	92	29.6
160	270	67	3	29332	260	208	23	64	32	92	15.4
	320	95	5	29432	306	229	34	91	45	99	35.9

Spherical thrust roller bearings

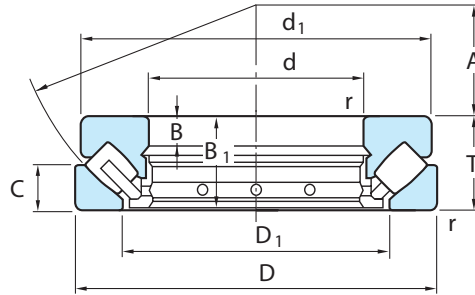
d 170 ~ 320 mm



Boundary dimensions (mm)				Bearing No.	Dimensions (mm)							(kg)
d	D	T	r min.		d ₁	D ₁	B	B ₁	C	A		
170	280	67	3	29334	270	216	23	64	32	96	15.4	
	340	103	5	29434	324	243	37	99	50	104	44.0	
180	300	73	3	29336	290	232	25	69	35	103	20.7	
	360	109	5	29436	342	255	39	105	52	110	52.2	
190	320	78	4	29338	308	246	27	74	38	110	25.1	
	380	115	5	29438	360	271	41	111	55	117	61.4	
200	280	48	2	29240	271	236	15	45	24	108	8.90	
	340	85	4	29340	325	261	29	81	41	116	31.2	
	400	122	5	29440	380	286	43	117	59	122	73.0	
220	300	48	2	29244	292	254	15	45	24	117	10.0	
	360	85	4	29344	345	280	29	81	41	125	33.3	
	420	122	6	29444	400	308	43	117	58	132	74.2	
240	340	60	2.1	29248	330	283	19	57	30	130	16.7	
	380	85	4	29348	365	300	29	81	41	135	35.5	
	440	122	6	29448	420	326	43	117	59	142	83.0	
260	360	60	2.1	29252	350	302	19	57	30	139	18.5	
	420	95	5	29352	405	329	32	91	45	148	51.5	
	480	132	6	29452	460	357	48	127	64	154	110	
280	380	60	2.1	29256	370	323	19	57	30	150	19.5	
	440	95	5	29356	423	348	32	91	46	158	53.2	
	520	145	6	29456	495	387	52	140	68	166	137	
300	420	73	3	29260	405	353	21	69	38	162	30.5	
	480	109	5	29360	460	379	37	105	50	168	74.9	
	540	145	6	29460	515	402	52	140	70	175	146	
320	440	73	3	29264	430	372	21	69	38	172	32.7	
	500	109	5	29364	482	399	37	105	53	180	78.0	
				29464	555	435	55	149	75	191	179	

Spherical thrust roller bearings

d 340 ~ 500 mm



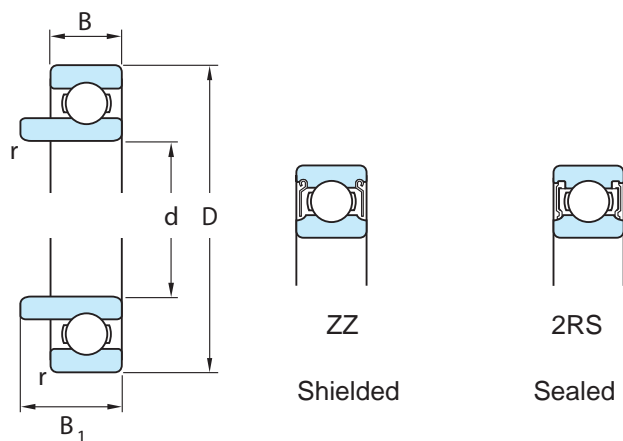
Boundary dimensions (mm)				Bearing No.	Dimensions (mm)						
d	D	T	r min.		d ₁	D ₁	B	B ₁	C	A	(kg)
340	460	73	3	29268	445	395	21	69	37	183	34.7
	540	122	5	29368	520	441	117	59	192	106	
	620	170	7.5	29468	590	462	61	164	82	201	224
360	500	85	4	29272	485	423	25	81	44	194	51.8
	560	122	5	29372	540	448	41	117	59	202	110
	640	170	7.5	29472	610	480	61	164	82	210	231
380	520	85	4	29276	505	441	27	81	42	202	52.8
	600	132	6	29376	580	477	44	127	63	216	141
	670	175	7.5	29476	640	504	63	168	85	230	263
400	540	85	4	29280	526	460	27	81	42	212	55.3
	620	132	6	29380	596	494	44	127	64	225	144
	710	185	7.5	29480	680	534	67	178	89	236	315
420	580	95	5	29284	564	489	30	91	46	225	75.4
	650	140	6	29384	626	520	48	135	68	235	169
	730	185	7.5	29484	700	556	67	178	89	244	330
440	600	95	5	29288	585	508	30	91	49	235	77.9
	680	145	6	29388	655	548	49	140	70	245	190
	780	206	9.5	29488	745	588	74	199	100	260	423
460	620	95	5	29292	605	530	30	91	46	245	81.0
	710	150	6	29392	685	567	51	144	72	257	216
	800	206	9.5	29492	765	608	74	199	100	272	438
480	650	103	5	29296	635	556	33	99	55	259	89.0
	730	150	6	29396	705	590	51	144	72	270	218
	850	224	9.5	29496	810	638	81	216	108	280	548
500	870	224	9.5	294/500	830	661	81	216	107	290	562



Special bearings

Special bearings / automotiv bearings

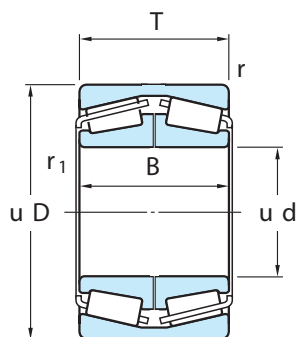
Ball bearings extended inner ring type



ZV / ZZV

(mm)					Bearing No.	(kg)
d	D	B	B ₁	r _{min.}		
17	47	14	17	1	6303 ZZV	0.200
20	47	12	15	0.6	6204 Z/ZZV	0.110
25	47	12	15	0.6	6005 Z/ZZV	0.080
70	125	24	27	1.5	6214 ZZV	1.250

Double-row tapered roller bearings



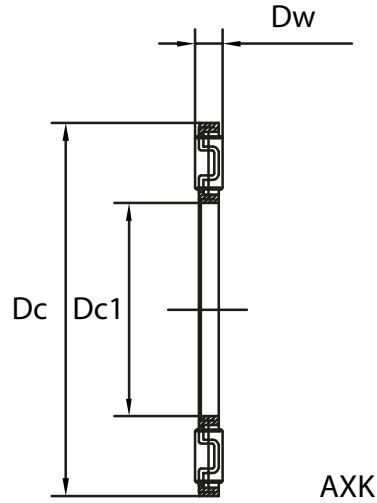
JRM 0000 / 0000 XD

available on request



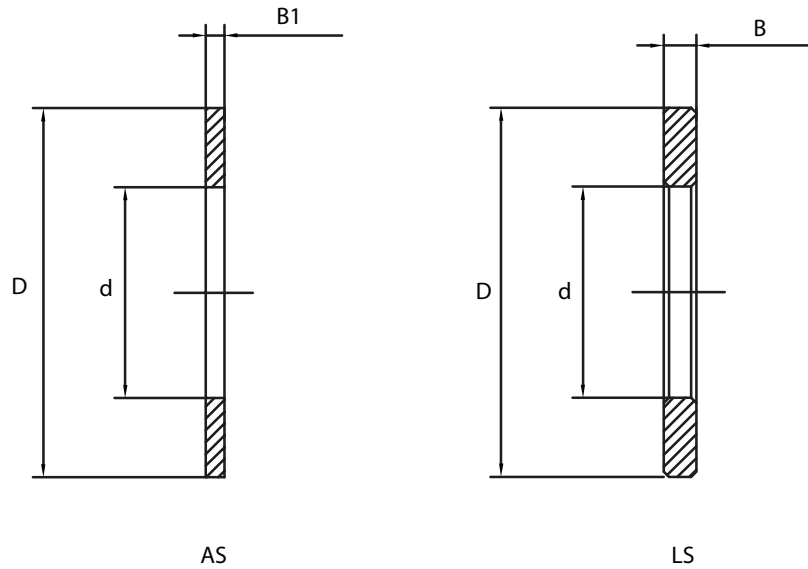
Needle roller bearings

AXIAL NEEDLE ROLLER AND CAGE ASSEMBLIES



Bearing No.	Dc1	Dc	Dw	weight (kg)
AXK 0414 TN	4	14	2	0,001
AXK 0515 TN	5	15	2	0,001
AXK 0619 TN	6	19	2	0,001
AXK 0821 TN	8	21	2	0,002
AXK 1024	10	24	2	0,003
AXK 1226	12	26	2	0,004
AXK 1528	15	28	2	0,004
AXK 1730	17	30	2	0,004
AXK 2035	20	35	2	0,006
AXK 2542	25	42	2	0,007
AXK 3047	30	47	2	0,008
AXK 3552	35	52	2	0,010
AXK 4060	40	60	3	0,016
AXK 4565	45	65	3	0,018
AXK 5070	50	70	3	0,020
AXK 5578	55	78	3	0,026
AXK 6085	60	85	3	0,033
AXK 6590	65	90	3	0,039
AXK 7095	70	95	4	0,050
AXK 100135	100	135	4	0,104
AXK 110145	110	145	4	0,122

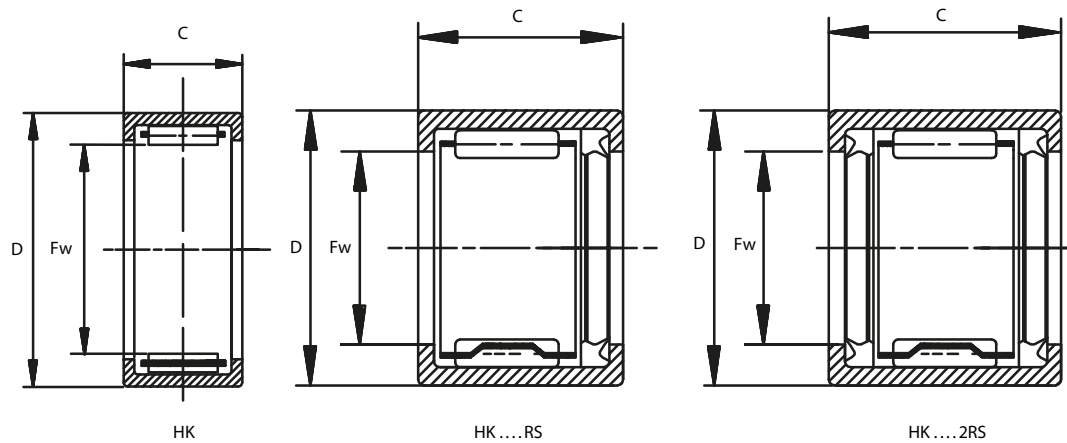
AXIAL BEARING WASHERS



Bearing No.	d	D	B1	weight (kg)
AS 0414	4	14	1	0,001
AS 0515	5	15	1	0,001
AS 0619	6	19	1	0,002
AS 0821	8	21	1	0,002
AS 1024	10	24	1	0,003
AS 1226	12	26	1	0,003
AS 1528	15	28	1	0,003
AS 1730	17	30	1	0,004
AS 2035	20	35	1	0,005
AS 2542	25	42	1	0,007
AS 3047	30	47	1	0,009
AS 3552	35	52	1	0,008
AS 4060	40	60	1	0,012
AS 4565	45	65	1	0,013
AS 5070	50	70	1	0,017
AS 5578	55	78	1	0,018
AS 6085	60	85	1	0,021
AS 6590	65	90	1	0,023
AS 7095	70	95	1	0,024
AS 80105	80	105	1	0,029
AS 90120	90	120	1	0,039
AS 100135	100	135	1	0,050
AS 110145	110	145	1	0,055

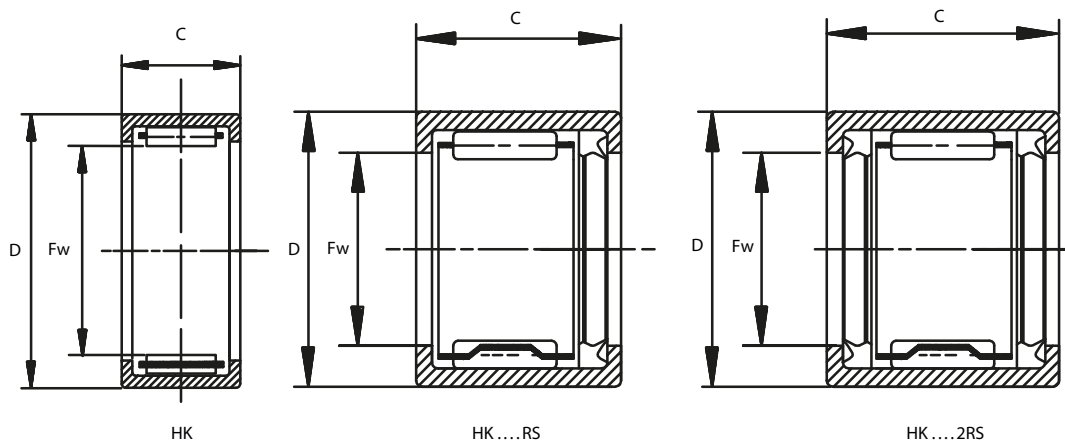
Bearing No.	d	D	B	weight (kg)
LS 0821	8	21	2,75	0,006
LS 1024	10	24	2,75	0,008
LS 1226	12	26	2,75	0,009
LS 1528	15	28	2,75	0,009
LS 1730	17	30	2,75	0,010
LS 2035	20	35	2,75	0,014
LS 2542	25	42	3	0,021
LS 3047	30	47	3	0,024
LS 3552	35	52	3,5	0,032
LS 4060	40	60	3,5	0,043
LS 4565	45	65	4	0,054
LS 5070	50	70	4	0,059
LS 5578	55	78	5	0,094
LS 6085	60	85	4,75	0,106
LS 6590	65	90	5,25	0,125
LS 7095	70	95	5,25	0,133

DRAWN CUP NEEDLE ROLLER BEARINGS



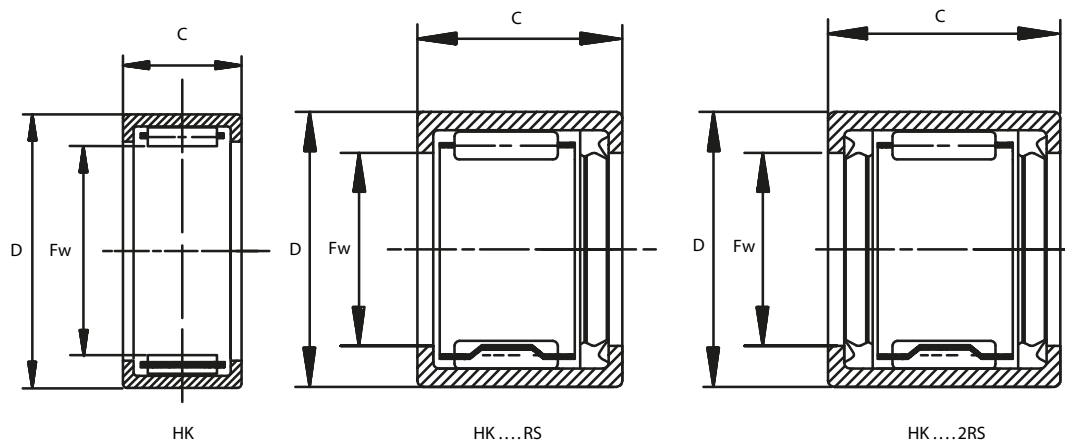
Bearing No.	RS	2RS	Fw	D	C	C1	weight (kg)
HK 0408			4	8	8		0,002
HK 0509			5	9	9		0,002
HK 0608			6	10	8		0,002
HK 0609			6	10	9		0,003
HK 0709			7	11	9		0,003
HK 0808			8	12	8		0,003
HK 0810	HK 0810 RS	HK 0812 2RS	8	12	10	12	0,003
HK 0812			8	12	12		0,003
HK 0908			9	13	8		0,003
HK 0910			9	13	10		0,004
HK 0912			9	13	12		0,005
HK 1010			10	14	10		0,004
HK 1012	HK 1012 RS	HK 1014 2RS	10	14	12	14	0,005
HK 1014	HK 1014 RS		10	14	14		0,005
HK 1015			10	14	15		0,006
HK 1210			12	16	10		0,046
HK 1212		HK 1214 2RS	12	18	12	14	0,009
HK 1214	HK 1214 RS	HK 1216 2RS	12	18	14	16	0,010
HK 1216			12	18	16		0,011
HK 1312			13	19	12		0,010
HK 1412			14	20	12		0,009
HK 1414	HK 1414 RS	HK 1416 2RS	14	20	14	16	0,012
HK 1416			14	20	16		0,013
HK 1512			15	21	12		0,011
HK 1514	HK 1514 RS	HK 1516 2RS	15	21	14	16	0,011
HK 1516			15	21	16		0,015
HK 1518		HK 1520 2RS	15	21	18	20	0,018
HK 1520			15	21	20		0,018
HK 1522			15	21	22		0,020
HK 1612		HK 1614 2RS	16	22	12	14	0,012
HK 1614	HK 1614 RS	HK 1616 2RS	16	22	14	16	0,013

DRAWN CUP NEEDLE ROLLER BEARINGS



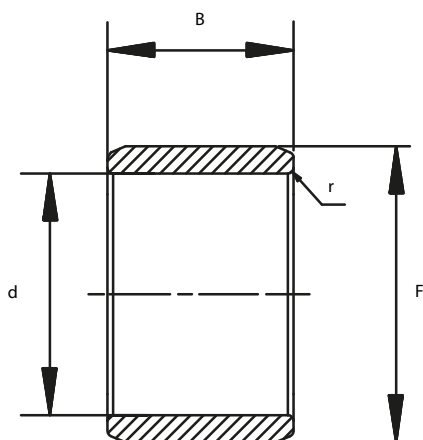
Bearing No.	RS	2RS	Fw	D	C	C1	weight (kg)
HK 1616			16	22	16		0,015
HK 1618		HK 1620 2RS	16	22	18	20	0,014
HK 1620			16	22	20		0,019
HK 1622			16	22	22		0,022
HK 1712			17	23	12		0,012
HK 1718			17	23	18		0,013
HK 1812			18	24	12		0,013
HK 1814	HK 1814 RS	HK 1816 2RS	18	24	14	16	0,014
HK 1816			18	24	16		0,017
HK 2010			20	26	10		0,012
HK 2012			20	26	12		0,014
HK 2014		HK 2016 2RS	20	26	14	16	0,016
HK 2016			20	26	16		0,019
HK 2018	HK 2018 RS	HK 2020 2RS	20	26	18	20	0,022
HK 2020			20	26	20		0,024
HK 2030			20	26	30		0,036
HK 2210			22	28	10		0,012
HK 2212			22	28	12		0,015
HK 2214	HK 2214 RS	HK 2216 2RS	22	28	14	16	0,016
HK 2216			22	28	16		0,021
HK 2218	HK 2218 RS	HK 2220 2RS	22	28	18	20	0,024
HK 2220			22	28	20		0,026
HK 2512			25	32	12		0,020
HK 2514		HK 2516 2RS	25	32	14	16	0,025
HK 2516			25	32	16		0,027
HK 2518	HK 2518 RS	HK 2520 2RS	25	32	18	20	0,029
HK 2520			25	32	20		0,036
HK 2524	HK 2524 RS		25	32	24		0,045
HK 2526			25	32	26		0,045
HK 2530			25	32	30		0,055
HK 2538			25	32	38		0,064

DRAWN CUP NEEDLE ROLLER BEARINGS



Bearing No.	RS	2RS	Fw	D	C	C1	weight (kg)
HK 2816			28	35	16		0,029
HK 2818	HK 2818 RS	HK 2820 2RS	28	35	18	20	0,031
HK 2820			28	35	20		0,037
HK 3012	HK 3012 RS		30	37	12		0,023
HK 3014		HK 3016 2RS	30	37	14	16	0,027
HK 3016			30	37	16		0,031
HK 3018	HK 3018 RS	HK 3020 2RS	30	37	18	30	0,034
HK 3020			30	37	20		0,040
HK 3022		HK 3024 2RS	30	37	22	24	0,042
HK 3024			30	37	24		0,044
HK 3026			30	37	26		0,051
HK 3028			30	37	28		0,057
HK 3038			30	37	38		0,076
HK 3512			35	42	12		0,026
HK 3514		HK 3516 2RS	35	42	14	16	0,030
HK 3516			35	42	16		0,036
HK 3518	HK 3518 RS	HK 3520 2RS	35	42	18	20	0,039
HK 3520			35	42	20		0,044
HK 4012			40	47	12		0,032
HK 4014		HK 4016 2RS	40	47	14	16	0,035
HK 4016			40	47	16		0,039
HK 4018	HK 4018 RS	HK 4020 2RS	40	47	18	20	0,045
HK 4020			40	47	20		0,052
HK 4512			45	52	12		0,034
HK 4516			45	52	16		0,450
HK 4518	HK 4518 RS	HK 4520 2RS	45	52	18	20	0,050
HK 4520			45	52	20		0,060
HK 4538			15	52	38		0,065
HK 5012			50	58	12		0,041
HK 5020			50	58	20		0,070
HK 5022	HK 5022 RS		50	58	22		0,076

INNER RINGS

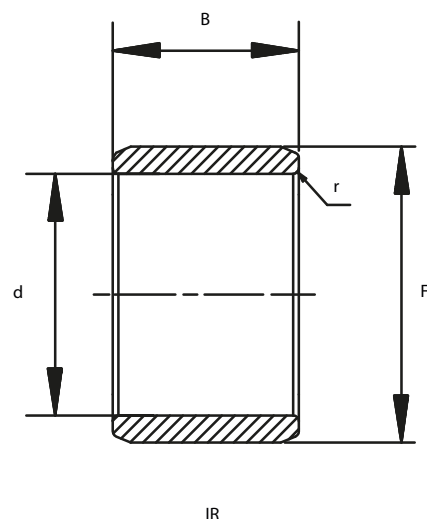


IR

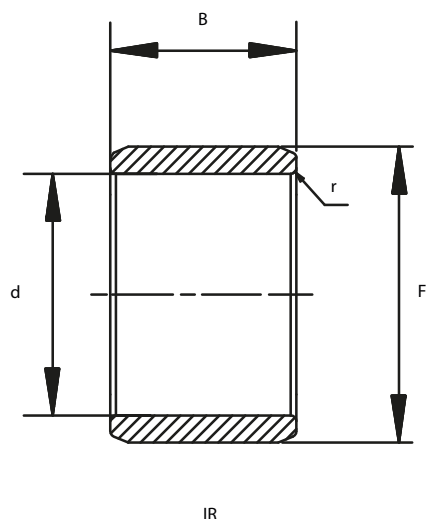
Bearing No.	d	F	B	r	weight (kg)
IR 5X8X12	5	8	12	0,3	0,003
IR 6X9X12	6	9	12	0,3	0,003
IR 6X9X16	6	9	16	0,3	0,004
IR 6X10X10	6	10	10	0,3	0,004
IR 6X10X12	6	10	12	0,3	0,005
IR 7X10X10,5	7	10	10,5	0,3	0,003
IR 7X10X12	7	10	12	0,3	0,004
IR 7X10X16	7	10	16	0,3	0,005
IR 8X12X10,5	8	12	10,5	0,3	0,005
IR 8X12X10,5	8	12	10,5	0,3	0,005
IR 8X12X10,5	8	12	10,5	0,3	0,005
IR 8X12X10	8	12	10	0,3	0,005
IR 8X12X12,5	8	12	12,5	0,3	0,006
IR 8X12X12	8	12	12	0,3	0,006
IR 9X12X12	9	12	12	0,3	0,004
IR 9X12X16	9	12	16	0,3	0,006
IR 10X13X12,5	10	13	12,5	0,3	0,005
IR 10X14X12	10	14	12	0,3	0,007
IR 10X14X13	10	14	13	0,3	0,007
IR 10X14X14	10	14	14	0,3	0,008
IR 10X14X16	10	14	16	0,3	0,009
IR 10X14X20	10	14	20	0,3	0,012
IR 12X15X12,5	12	15	12,5	0,3	0,006
IR 12X15X12	12	15	12	0,3	0,006
IR 12X15X16,5	12	15	16,5	0,3	0,008
IR 12X15X16	12	15	16	0,3	0,008
IR 12X15X22,5	12	15	22,5	0,3	0,011
IR 12X16X10	12	16	10	0,3	0,008
IR 12X16X13	12	16	13	0,3	0,009
IR 12X16X14	12	16	14	0,3	0,009
IR 12X16X16	12	16	16	0,3	0,011
IR 12X16X20	12	16	20	0,3	0,014
IR 12X16X22	12	16	22	0,3	0,015
IR 14X17X17	14	17	17	0,3	0,010
IR 15X18X16,5	15	18	16,5	0,3	0,010
IR 15X18X16	15	18	16	0,3	0,009
IR 15X19X16	15	19	16	0,3	0,013
IR 15X19X20	15	19	20	0,3	0,016
IR 15X20X12	15	20	12	0,3	0,012
IR 15X20X13	15	20	13	0,3	0,014
IR 15X20X14	15	20	14	0,3	0,015
IR 15X20X23	15	20	23	0,3	0,010
IR 17X20X16,5	17	20	16,5	0,3	0,011
IR 17X20X16	17	20	16	0,3	0,011
IR 17X20X20,5	17	20	20,5	0,3	0,010
IR 17X20X20	17	20	20	0,3	0,014
IR 17X20X30,5	17	20	30,5	0,3	0,021
IR 17X21X16	17	21	16	0,3	0,015
IR 17X21X20	17	21	20	0,3	0,018
IR 17X22X13	17	22	13	0,3	0,015
IR 17X22X14	17	22	14	0,3	0,016
IR 17X22X16	17	22	16	0,3	0,018

INNER RINGS

Bearing No.	d	F	B	r	weight (kg)
IR 17X22X23	17	22	23	0,3	0,027
IR 17X24X20	17	24	20	0,6	0,015
IR 20X24X16	20	24	16	0,3	0,015
IR 20X24X20	20	24	20	0,3	0,021
IR 20X25X16	20	25	16	0,3	0,024
IR 20X25X17	20	25	17	0,3	0,023
IR 20X25X18	20	25	18	0,3	0,024
IR 20X25X20,5	20	25	20,5	0,3	0,027
IR 20X25X20	20	25	20	0,3	0,028
IR 20X25X26,5	20	25	26,5	0,3	0,038
IR 20X25X30	20	25	30	0,3	0,040
IR 20X25X38,5	20	25	38,5	0,3	0,053
IR 20X28X20	20	28	20	0,6	0,045
IR 22X26X16	22	26	16	0,3	0,018
IR 22X26X20	22	26	20	0,3	0,023
IR 22X28X17	22	28	17	0,3	0,030
IR 22X28X20,5	22	28	20,5	0,3	0,036
IR 22X28X20	22	28	20	0,3	0,035
IR 22X28X30	22	28	30	0,3	0,054
IR 25X29X20	25	29	20	0,3	0,026
IR 25X29X30	25	29	30	0,3	0,039
IR 25X30X16	25	30	16	0,3	0,026
IR 25X30X16	25	30	16	0,3	0,026
IR 25X30X17	25	30	17	0,3	0,027
IR 25X30X18	25	30	18	0,3	0,030
IR 25X30X20,5	25	30	20,5	0,3	0,041
IR 25X30X20	25	30	20	0,3	0,033
IR 25X30X20	25	30	20	0,3	0,041
IR 25X30X26,5	25	30	26,5	0,3	0,046
IR 25X30X30	25	30	30	0,3	0,060
IR 25X30X30	25	30	30	0,3	0,060
IR 25X30X32	25	30	32	0,3	0,060
IR 25X30X32	25	30	32	0,3	0,060
IR 25X30X38,5	25	30	38,5	0,3	0,065
IR 25X32X22	23	32	22	0,6	0,053
IR 28X32X17	28	32	17	0,3	0,025
IR 28X32X17	28	32	17	0,3	0,025
IR 28X32X20	28	32	20	0,3	0,029
IR 28X32X20	28	32	20	0,3	0,028
IR 28X32X30	28	32	30	0,3	0,044
IR 30X35X13	30	35	13	0,3	0,025
IR 30X35X16	30	35	16	0,3	0,030
IR 30X35X17	30	35	17	0,3	0,030
IR 30X35X18	30	35	18	0,3	0,035
IR 30X35X20,5	30	35	20,5	0,3	0,048
IR 30X35X20	30	35	20	0,3	0,039
IR 30X35X26	30	35	26	0,3	0,208
IR 30X35X26	30	35	26	0,3	0,050
IR 30X35X27,5	30	35	27,5	0,3	0,054
IR 30X35X30	30	35	30	0,3	0,059
IR 30X37X18	30	37	18	0,6	0,050
IR 30X37X22	30	37	22	0,6	0,062



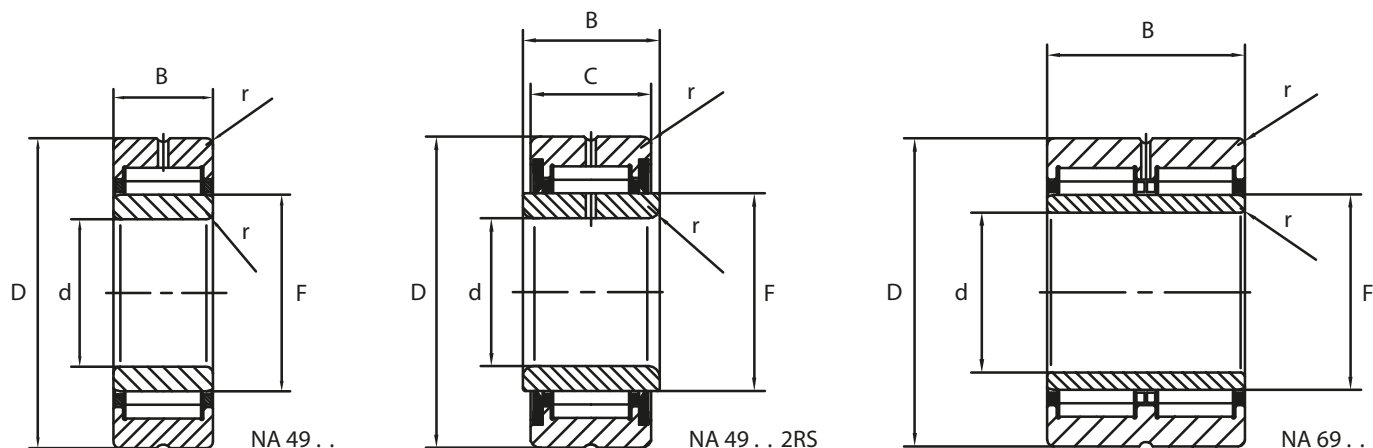
INNER RINGS



IR

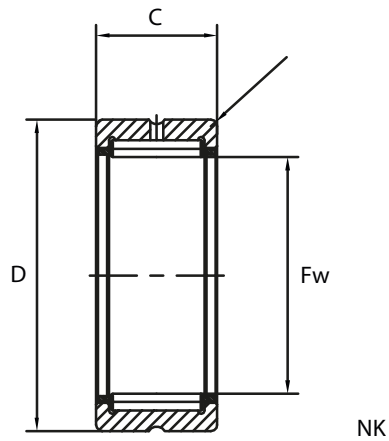
Bearing No.	d	F	B	r	weight (kg)
IR 30X38X20	30	38	20	0,6	0,077
IR 32X37X20	32	37	20	0,3	0,042
IR 32X37X30	32	37	30	0,3	0,062
IR 32X40X20	32	40	20	0,6	0,068
IR 32X40X36	32	40	36	0,6	0,124
IR 35X40X17	35	40	17	0,3	0,038
IR 35X40X20,5	35	40	20,5	0,3	0,046
IR 35X40X20	35	40	20	0,3	0,044
IR 35X40X30	35	40	30	0,3	0,671
IR 35X42X20	35	42	20	0,6	0,064
IR 35X42X21	35	42	21	0,6	0,068
IR 35X42X23	35	42	23	0,6	0,075
IR 35X42X36	35	42	36	0,6	0,117
IR 35X43X22	35	43	22	0,6	0,082
IR 38X43X20	38	43	20	0,3	0,048
IR 38X43X30	38	43	30	0,3	0,074
IR 40X45X17	40	45	17	0,3	0,043
IR 40X45X20,5	40	45	20,5	0,3	0,052
IR 40X45X20	40	45	20	0,3	0,051
IR 40X45X25	40	45	25	0,3	0,084
IR 40X45X30	40	45	30	0,3	0,084
IR 40X48X22	40	48	22	0,6	0,092
IR 40X48X23	40	48	23	0,6	0,098
IR 40X48X40	40	48	40	0,6	0,186
IR 40X50X20	40	50	20	1	0,118
IR 40X50X22	40	50	22	1	0,118
IR 42X47X20	42	47	20	0,3	0,081
IR 42X47X30	42	47	30	0,3	0,071
IR 45X50X25,5	45	50	25,5	0,3	0,101
IR 45X50X25	45	50	25	0,6	0,075
IR 45X50X30	45	50	30	0,3	0,101
IR 45X50X35	45	50	35	0,6	0,089
IR 45X52X22	45	52	22	0,6	0,094
IR 45X52X40	45	52	40	0,6	0,164
IR 45X55X20	45	55	20	1	0,117
IR 45X55X22	45	55	22	1	0,129
IR 50X55X20	50	55	20	0,6	0,062
IR 50X55X25	50	55	25	0,6	0,078
IR 50X58X22	50	58	22	0,6	0,115
IR 50X58X23	50	58	23	0,6	0,119
IR 50X58X40	50	58	40	0,6	0,207
IR 50X60X20	50	60	20	1	0,128
IR 50X60X25	50	60	25	1	0,162
IR 50X60X28	50	60	28	1,1	0,181
IR 50X60X40	50	60	40	1,1	0,163
IR 60X70X28	60	70	28	1,1	0,215
IR 65X75X28	65	75	28	1,1	0,230
IR 65X75X60	65	75	60	1,1	0,480
IR 75X85X25	75	85	25	1	0,240
IR 90X100X30	90	100	30	1	0,340
IR 130X145X35	130	145	35	1,1	1,690
IR 220X240X50	220	240	50	1,5	0,775

NEEDLE BEARINGS WITH INNER RINGS



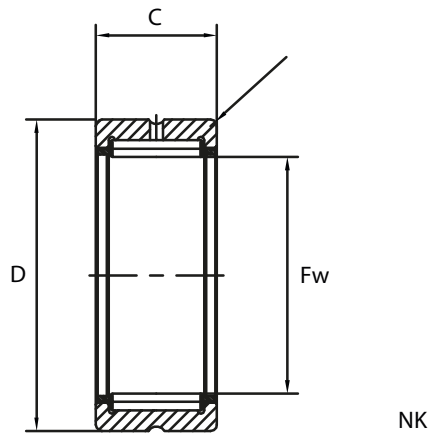
Bearing No.	d	F	D	B	C	r	weight (kg)
NA 4900	10	14	22	13		0,3	0,023
NA 4900 2RS	10	14	22	14	13	0,3	0,025
NA 4901	12	16	24	13		0,3	0,026
NA 4901 2RS	12	16	24	14	13	0,3	0,028
NA 6901	12	16	24	22		0,3	0,046
NA 4902	15	20	28	13		0,3	0,034
NA 4902 2RS	15	20	28	14	13	0,3	0,037
NA 6902	25	20	28	23		0,3	0,064
NA 4903	17	22	30	13		0,3	0,037
NA 4903 2RS	17	22	30	14	13	0,3	0,040
NA 6903	17	22	30	23		0,3	0,072
NA 4904	20	25	37	17		0,3	0,079
NA 4904 2RS	20	25	37	18	17	0,3	0,080
NA 6904	20	25	37	30		0,3	0,141
NA 49/22	22	28	39	17		0,3	0,080
NA 69/22	22	28	39	30		0,3	0,150
NA 4905	25	30	42	17		0,3	0,088
NA 4905 2RS	25	30	42	18	17	0,3	0,090
NA 6905	25	30	42	30		0,3	0,161
NA 49/28	28	32	45	17		0,3	0,098
NA 69/28	28	32	45	30		0,3	0,182
NA 4906	30	35	47	17		0,3	0,102
NA 4906 2RS	30	35	47	18	17	0,3	0,104
NA 6906	30	35	47	30		0,3	0,186
NA 49/32	32	40	52	20		0,6	0,158
NA 69/32	32	40	52	36		0,6	0,288
NA 4907	35	42	55	20		0,6	0,173
NA 4907 2RS	35	42	55	21	20	0,6	0,175
NA 6907	35	42	55	35		0,6	0,310
NA 4908	40	48	62	22		0,6	0,230
NA 4908 2RS	40	48	62	23	22	0,6	0,252
NA 6908	40	48	62	40		0,6	0,430
NA 4909	45	52	68	22		0,6	0,271
NA 4909 2RS	45	52	68	23	22	0,6	0,290
NA 6909	45	52	68	40		0,6	0,495
NA 4910	50	58	72	22		0,6	0,274
NA 4910 2RS	50	58	72	23	22	0,6	0,295
NA 6910	50	58	72	40		0,6	0,515
NA 4911	55	63	80	25		1	0,393
NA 4912	60	68	85	25		1	0,426
NA 4913	65	72	90	25		1	0,426

NEEDLE BEARINGS WITHOUT INNER RINGS



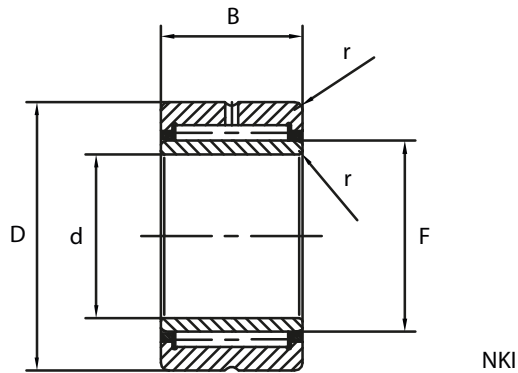
Bearing No.	Fw	D	C	r	weight (kg)
NK 5/10 TN	5	10	10	0,15	0,003
NK 5/12 TN	5	10	12	0,15	0,003
NK 6/10 TN	6	12	10	0,15	0,005
NK 6/12 TN	6	12	12	0,15	0,006
NK 7/10 TN	7	14	10	0,3	0,007
NK 7/12 TN	7	14	12	0,3	0,008
NK 8/12 TN	8	15	12	0,3	0,009
NK 8/16 TN	8	15	16	0,3	0,012
NK 9/12 TN	9	16	12	0,3	0,009
NK 9/16 TN	9	16	16	0,3	0,013
NK 10/12 TN	10	17	12	0,3	0,010
NK 10/16 TN	10	17	16	0,3	0,013
NK 12/12	12	19	12	0,3	0,012
NK 12/16	12	19	16	0,3	0,016
NK 14/16	14	22	16	0,3	0,021
NK 14/20	14	22	20	0,3	0,027
NK 15/16	15	23	16	0,3	0,022
NK 15/20	15	23	20	0,3	0,027
NK 16/16	16	24	16	0,3	0,024
NK 16/20	16	24	20	0,3	0,029
NK 17/16	17	25	16	0,3	0,024
NK 17/20	17	25	20	0,3	0,031
NK 18/16	18	26	16	0,3	0,026
NK 18/20	18	26	20	0,3	0,032
NK 19/16	19	27	16	0,3	0,028
NK 19/20	19	27	20	0,3	0,032
NK 20/16	20	28	16	0,3	0,030
NK 20/20	20	28	20	0,3	0,034
NK 21/16	21	29	16	0,3	0,029
NK 21/20	21	29	20	0,3	0,037
NK 22/16	22	30	20	0,3	0,030
NK 22/20	22	30	20	0,3	0,045
NK 24/16	24	32	16	0,3	0,032
NK 24/20	24	32	20	0,3	0,043

NEEDLE BEARINGS WITHOUT INNER RINGS



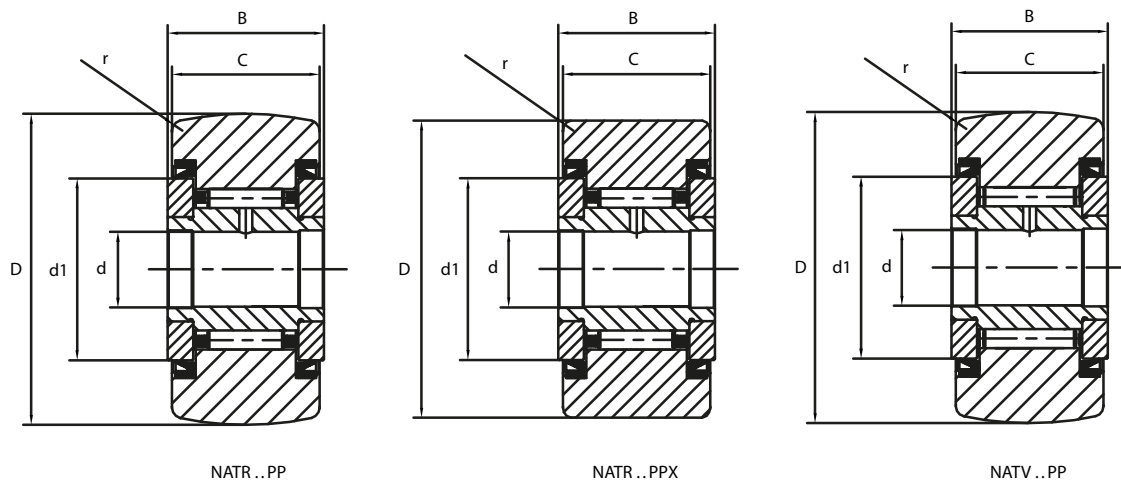
Bearing No.	Fw	D	C	r	weight (kg)
NK 25/16	25	33	16	0,3	0,033
NK 25/20	25	33	20	0,3	0,043
NK 26/16	26	34	16	0,3	0,034
NK 26/20	26	34	20	0,3	0,042
NK 28/20	28	37	20	0,3	0,053
NK 28/30	28	37	30	0,3	0,082
NK 29/20	29	38	20	0,3	0,054
NK 29/30	29	38	30	0,3	0,081
NK 30/20	30	40	20	0,3	0,065
NK 30/30	30	40	30	0,3	0,098
NK 32/20	32	42	20	0,3	0,068
NK 32/30	32	42	30	0,3	0,103
NK 35/20	35	45	20	0,3	0,074
NK 35/30	35	45	30	0,3	0,114
NK 37/20	37	47	20	0,3	0,077
NK 37/30	37	47	30	0,3	0,113
NK 38/20	38	48	20	0,3	0,079
NK 38/30	38	48	30	0,3	0,116
NK 40/20	40	50	20	0,3	0,082
NK 40/30	40	50	30	0,3	0,125
NK 42/20	42	52	20	0,3	0,086
NK 42/30	42	52	30	0,3	0,130
NK 43/20	43	53	20	0,3	0,086
NK 43/30	43	53	30	0,3	0,133
NK 45/20	45	55	20	0,3	0,095
NK 45/30	45	55	30	0,3	0,140
NK 47/20	47	57	20	0,3	0,095
NK 47/30	47	57	30	0,3	0,145
NK 50/25	50	62	25	0,6	0,158
NK 50/35	50	62	35	0,6	0,221
NK 55/25	55	68	25	0,6	0,180
NK 55/35	55	68	35	0,6	0,250
NK 60/25	60	72	25	0,6	0,186
NK 60/35	60	72	35	0,6	0,258

NEEDLE BEARINGS WITHOUT INNER RINGS



Bearing No.	d	F	D	B	r	weight (kg)
NKI 5/12 TN	5	8	15	12	0,3	0,012
NKI 6/12 TN	6	9	16	12	0,3	0,013
NKI 6/16 TN	6	9	16	16	0,3	0,017
NKI 7/12 TN	7	10	17	12	0,3	0,014
NKI 9/12	9	12	19	12	0,3	0,017
NKI 9/16	9	12	19	16	0,3	0,013
NKI 10/16	10	14	22	16	0,3	0,030
NKI 10/20	10	14	22	20	0,3	0,037
NKI 12/16	12	16	24	16	0,3	0,033
NKI 12/20	12	16	24	20	0,3	0,042
NKI 15/16	15	19	27	16	0,3	0,039
NKI 15/20	15	19	27	20	0,3	0,049
NKI 17/16	17	21	29	16	0,3	0,042
NKI 17/20	17	21	29	20	0,3	0,053
NKI 20/16	20	24	32	16	0,3	0,057
NKI 20/20	20	24	32	20	0,3	0,060
NKI 22/16	22	26	34	16	0,3	0,052
NKI 22/20	22	26	34	20	0,3	0,065
NKI 25/20	25	29	38	20	0,3	0,079
NKI 25/30	25	29	38	30	0,3	0,123
NKI 28/20	28	32	42	20	0,3	0,097
NKI 28/30	28	32	42	30	0,3	0,141
NKI 30/20	30	35	45	20	0,3	0,112
NKI 30/30	30	35	45	30	0,3	0,170
NKI 32/20	32	37	47	20	0,3	0,118
NKI 32/30	32	37	47	30	0,3	0,180
NKI 35/20	35	40	50	20	0,3	0,127
NKI 35/30	35	40	50	30	0,3	0,193
NKI 38/20	38	43	53	20	0,3	0,132
NKI 38/30	38	43	53	30	0,3	0,207
NKI 40/20	40	45	55	20	0,3	0,142
NKI 40/30	40	45	55	30	0,3	0,216
NKI 42/20	42	47	57	20	0,3	0,148
NKI 42/30	42	47	57	30	0,3	0,222
NKI 45/25	45	50	62	25	0,6	0,229
NKI 45/35	45	50	62	35	0,6	0,322
NKI 50/25	50	55	68	25	0,6	0,270
NKI 50/35	50	55	68	35	0,6	0,364
NKI 55/25	55	60	72	25	0,6	0,272
NKI 55/35	55	60	72	35	0,6	0,379
NKI 60/25	60	68	82	25	0,6	0,394

YOKE TYPE TRACK ROLLERS WITH AXIAL GUIDANCE



Bearing No.		d	D	C	B	d1	r	weight (kg)
NATR 5 PP	NATV 5 PP	5,00	16,00	11	12,00	12	0,15	0,013
NATR 6 PP	NATV 6 PP	6,00	19,00	11	12,00	14	0,15	0,019
NATR 6 PPX		6,00	19,00	11	12,00	14	0,15	0,020
NATR 8 PP	NATV 8 PP	8,00	24,00	14	15,00	19	0,3	0,038
NATR 10 PP	NATV 10 PP	10,00	30,00	14	15,00	23	0,6	0,061
NATR 12 PP	NATV 12 PP	12,00	32,00	14	15,00	25	0,6	0,066
NATR 12 PPX		12,00	32,00	14	15,00	25	0,6	0,070
NATR 15 PP	NATV 15 PP	15,00	35,00	18	19,00	27	0,6	0,095
NATR 15 PPX		15,00	35,00	18	19,00	27	0,6	0,096
NATR 17 PP	NATV 17 PP	17,00	40,00	20	21,00	32	1	0,148
NATR 20 PP	NATV 20 PP	20,00	47,00	24	25,00	37	1	0,236
NATR 25 PP	NATV 25 PP	25,00	52,00	24	25,00	42	1	0,269
NATR 30 PP	NATV 30 PP	30,00	62,00	28	29,00	51	1	0,444
NATR 35 PP		35,00	72,00	28	29,00	58	1,1	0,625
NATR 40 PP	NATV 40 PP	40,00	80,00	30	32,00	66	1,1	0,795

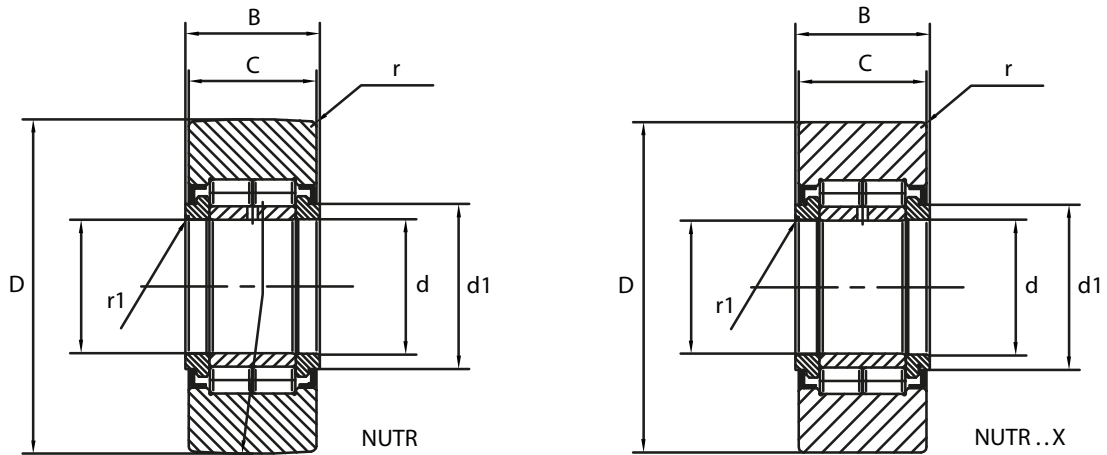
yoke type track rollers with cylindrical skin surface

reference X

yoke type track roller NATR with axial guidance and double sided lip-seal

reference PP

YOKE TYPE TRACK ROLLERS



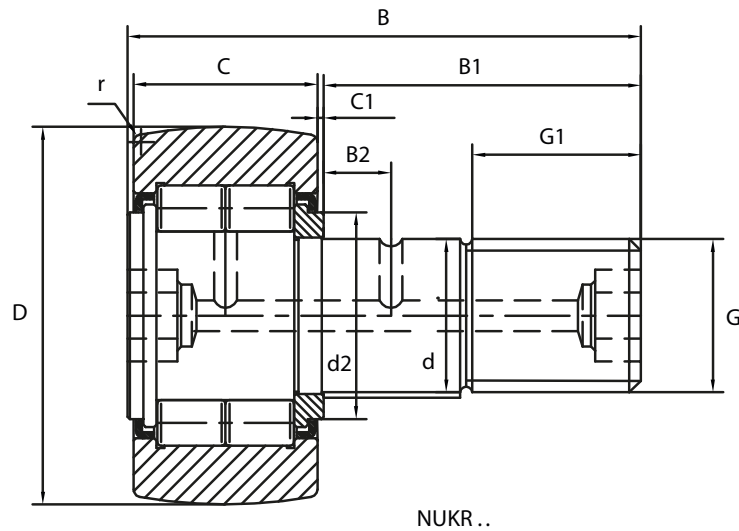
Bearing No.	d	D	B	C	d1	r	r1	weight (kg)
NUTR 15	15	35	19	18	20	0,6	0,3	0,099
NUTR 15X	15	35	19	18	20	0,6	0,3	0,103
NUTR 17	17	40	21	20	22	1	0,5	0,147
NUTR 17X	17	40	21	20	22	1	0,5	0,146
NUTR 1542	15	42	19	18	20	0,6	0,3	0,158
NUTR 1542X	15	42	19	18	20	0,6	0,3	0,163
NUTR 1747	17	47	21	20	22	1	0,5	0,220
NUTR 20	20	47	25	24	27	1	0,5	0,245
NUTR 20X	20	47	25	24	27	1	0,5	0,245
NUTR 2052	20	52	25	24	27	1	0,5	0,318
NUTR 25	25	52	25	24	31	1	0,5	0,281
NUTR 25X	25	52	25	24	31	1	0,5	0,285
NUTR 2562	25	62	25	24	31	1	0,5	0,450
NUTR 2562X	25	62	25	24	31	1	0,5	0,450
NUTR 30	30	62	29	28	38	1	0,5	0,465
NUTR 30X	30	62	29	28	38	1	0,5	0,465
NUTR 3072	30	72	29	28	38	1	0,5	0,697
NUTR 35	35	72	29	28	44	1,1	0,6	0,630
NUTR 35X	35	72	29	28	44	1,1	0,6	0,630
NUTR 3580	35	80	29	28	44	1,1	0,6	0,860
NUTR 3580X	35	80	29	28	44	1,1	0,6	0,853
NUTR 40	40	80	32	30	51	1,1	0,6	0,816
NUTR 40X	40	80	32	30	51	1,1	0,6	0,816
NUTR 45	45	85	32	30	55	1,1	0,6	0,914
NUTR 4090	40	90	32	30	51	1,1	0,6	1,129
NUTR 4090X	40	90	32	30	51	1,1	0,6	1,129
NUTR 50	50	90	32	30	60	1,1	0,6	0,950
NUTR 50X	50	90	32	30	30	1,1	0,6	0,950
NUTR 45100	45	100	32	30	55	1,1	0,6	1,396
NUTR 45100X	45	100	32	30	55	1,1	0,6	1,396
NUTR 50110	50	110	32	30	60	1,1	0,6	1,690
NUTR 50110X	50	110	32	30	60	1,1	0,6	1,690

yokey type track rollers with cylindrical skin surface

reference

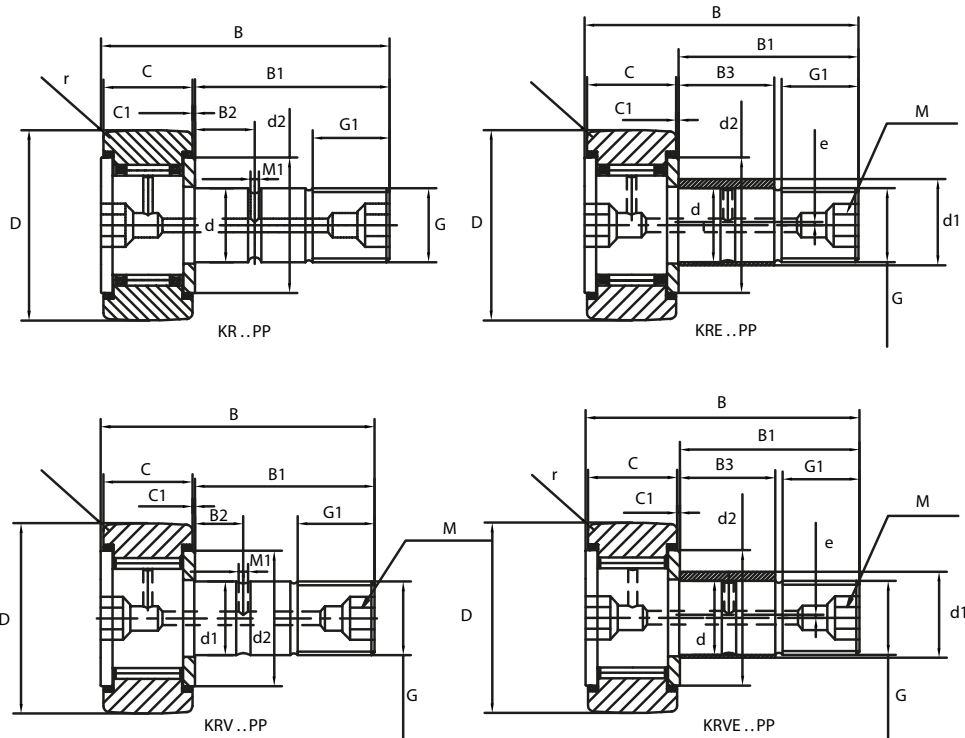
X

STUD TYPE TRACK ROLLERS



Bearing No.	D	d	C	r	B	B1	B2	G	G1	M1	C1	d2	weight (kg)
NUKR 35	35	16	18	0,6	52	32,5	7,8	M16x1,5	17	3	0,8	20	0,166
NUKR 40	40	18	20	1	58	36,5	8	M18x1,5	19	3	0,8	22	0,237
NUKR 47	47	20	24	1	66	40,5	9	M20x1,5	21	4	0,8	27	0,472
NUKR 52	52	20	24	1	66	40,5	9	M20x1,5	21	4	0,8	31	0,520
NUKR 62	62	24	28	1	80	49,5	11	M24x1,5	25	4	1,3	38	0,785

STUD TYPE TRACK ROLLERS



Bearing No.	D	d	C	r	B	B1	B2	G	G1	M	M1	C1	d2	d1	B3	e	weight (kg)
KR 16 PP	16	6	11	0,15	28	16		M 6 x 1	8	4		0,6	12	9	7	0,5	0,028
	16	6	11	0,15	28	16		M 6 x 1	8	4		0,6	12	9	7	0,5	0,018
KR 19 PP	19	8	11	0,15	32	20		M 8 x 1,25	10	4		0,6	14	11	9	0,5	0,033
	19	8	11	0,15	32	20		M 8 x 1,25	10	4		0,6	14	11	9	0,5	0,029
KR 22 PP	22	10	12	0,3	36	23		M 10 x 1,0	12	4		0,6	17	13	10	0,5	0,056
	22	10	12	0,3	36	23		M 10 x 1,0	12	4		0,6	17	13	10	0,5	0,045
KR 26 PP	26	10	12	0,3	36	23		M 10 x 1,0	12	4		0,6	17	13	10	0,5	0,057
	26	10	12	0,3	36	23		M 10 x 1,0	12	4		0,6	17	13	10	0,5	0,057
KR 30 PP	30	12	14	0,6	40	25	6	M 12 x 1,5	13	6	3	0,6	23	15	11	0,5	0,102
	30	12	14	0,6	40	25	6	M 12 x 1,5	13	6	3	0,6	23	15	11	0,5	0,088
KR 32 PP	32	12	14	0,6	40	25	6	M 12 x 1,5	13	6	3	0,6	23	15	11	0,5	0,098
	32	12	14	0,6	40	25	6	M 12 x 1,5	13	6	3	0,6	23	15	11	0,5	0,099
KR 35 PP	35	16	18	0,6	52	32,5	8	M 16 x 1,5	17	6	3	0,8	27	20	14	1	0,208
	35	16	18	0,6	52	32,5	8	M 16 x 1,5	17	6	3	0,8	27	20	14	1	0,210
KR 40 PP	40	18	20	1	58	36,5	8	M 18 x 1,5	19	6	3	0,8	32	22	16	1	0,296
	40	18	20	1	58	36,5	8	M 18 x 1,5	19	6	3	0,8	32	22	16	1	0,296
KR 47 PP	47	20	24	1	66	40,5	9	M 20 x 1,5	21	8	4	0,8	37	24	18	1	0,386
KR 52 PP	52	20	24	1	66	40,5	9	M 20 x 1,5	21	8	4	0,8	37	24	18	1	0,477
KR 62 PP	62	24	29	1	80	49,5	11	M 24 x 1,5	25	8	4	0,8	44	28	22	1	0,756

stud type track roller KR with axial guidance and double sided lip-seal

reference

PP

